

BECCO

BECCO

2018

2018





BECO 2018

www.becoitalia.biz





8 - 45

| | | |
|-------------------------------|-------|----|
| BHTS 2RS C3 VT 180° (6000) | | 9 |
| BHTS 2RS C3 VT 180° (6200) | | 10 |
| BHTS 2RS C3 VT 180° (6300) | | 11 |
| BHTS 2RS C4 VT 200° (61800) | | 13 |
| BHTS 2RS C4 VT 200° (6000) | | 14 |
| BHTS 2RS C4 VT 200° (6200) | | 15 |
| BHTS 2RS C4 VT 200° (6300) | | 16 |
| BHTS ZZ C4 200° (61800) | | 18 |
| BHTS ZZ C4 200° (6000) | | 19 |
| BHTS ZZ C4 200° (6200) | | 20 |
| BHTS ZZ C4 200° (6300) | | 21 |
| BHTS ZZ C4 200° (UC) | | 22 |
| BHTS ZZ C4 200° (UCPA) | | 23 |
| BHTS ZZ C4 200° (UCF) | | 24 |
| BHTS ZZ C4 200° (UCFL) | | 25 |
| BHTS ZZ C4 200° (UCP) | | 26 |
| BHTS ZZ C4 200° (UCT) | | 27 |
| BHTS 2RS C4 VT 220° (6000) | | 29 |
| BHTS 2RS C4 VT 220° (6200) | | 30 |
| BHTS 2RS C4 VT 220° (6300) | | 31 |
| BHTS ZZ C4 220°-250° (6000) | | 33 |
| BHTS ZZ C4 220°-250° (6200) | | 34 |
| BHTS ZZ C4 220°-250° (6300) | | 35 |
| BHTS 2RS VT 250°-280° (6000) | | 37 |
| BHTS 2RS VT 250°-280° (6200) | | 38 |
| BHTS 2RS VT 250°-280° (6300) | | 39 |
| BHTS 2RS VT 250°-280° (UC) | | 40 |
| BHTS 2RS VT 250°-280° (UCPA) | | 41 |
| BHTS 2RS VT 250°-280° (UCF) | | 42 |
| BHTS 2RS VT 250°-280° (UCFL) | | 43 |
| BHTS 2RS VT 250°-280° (UCP) | | 44 |
| BHTS 2RS VT 250°-280° (UCT) | | 45 |

46 - 94

| | | |
|--------------------------------|-------|----|
| BHTS ZZ 280° (MICRO) | | 47 |
| BHTS ZZ 280° (61800) | | 48 |
| BHTS ZZ 280° (61900) | | 49 |
| BHTS ZZ 280° (6000) | | 50 |
| BHTS ZZ 280° (6200) | | 51 |
| BHTS ZZ 280° (6300) | | 52 |
| BHTS ZZ 280° (UC) | | 53 |
| BHTS ZZ 280° (UCPA) | | 54 |
| BHTS ZZ 280° (UCF) | | 55 |
| BHTS ZZ 280° (UCFL) | | 56 |
| BHTS ZZ 280° (UCP) | | 57 |
| BHTS ZZ 280° (UCT) | | 58 |
| BHTS 330° (6000) | | 60 |
| BHTS 330° (6200) | | 61 |
| BHTS 330° (6300) | | 62 |
| BHTS 330° (51100) | | 63 |
| BHTS 330° (51200) | | 64 |
| BHTS ZZ 350° BECO PLUS (6000) | | 66 |
| BHTS ZZ 350° BECO PLUS (6200) | | 67 |
| BHTS ZZ 350° BECO PLUS (6300) | | 68 |
| BHTS ZZ 350° BECO PLUS (UC) | | 69 |
| BHTS ZZ 350° BECO PLUS (UCPA) | | 70 |
| BHTS ZZ 350° BECO PLUS (UCF) | | 71 |
| BHTS ZZ 350° BECO PLUS (UCFL) | | 72 |
| BHTS ZZ 350° BECO PLUS (UCP) | | 73 |
| BHTS ZZ 350° BECO PLUS (UCT) | | 74 |
| BHTS ZZ GR CG 350° (6000) | | 76 |
| BHTS ZZ GR CG 350° (6200) | | 77 |
| BHTS ZZ GR CG 350° (6300) | | 78 |
| BHTS ZZ GR CG 350° (UC) | | 79 |
| BHTS ZZ GR CG 350° (UCPA) | | 80 |
| BHTS ZZ GR CG 350° (UCF) | | 81 |





| | | |
|-----------------------------------|-------|----|
| BHTS ZZ GR CG 350° (UCFL) | | 82 |
| BHTS ZZ GR CG 350° (UCP) | | 83 |
| BHTS ZZ FB 375° BECO PLUS (6200) | | 85 |
| BHTS ZZ FB 375° BECO PLUS (6300) | | 86 |
| BHT FB 400° (6000) | | 88 |
| BHT FB 400° (6200) | | 89 |
| BHT FB 400° (6300) | | 90 |
| BHT FB 450° BECO PLUS (6000) | | 92 |
| BHT FB 450° BECO PLUS (6200) | | 93 |
| BHT FB 450° BECO PLUS (6300) | | 94 |

95 - 98

| | | |
|--------------------|-------|----|
| BLS ZZ 70° (6000) | | 96 |
| BLS ZZ 70° (6200) | | 97 |
| BLS ZZ 70° (6300) | | 98 |

101 - 108

| | | | |
|-------------------------|-----|-------|-----|
| BSS NM (6000) | () | | 102 |
| BSS NM (6200) | () | | 103 |
| BSS NM (6300) | () | | 104 |
| BSS NM ZZ NSF H1(6000) | () | | 106 |
| BSS NM ZZ NSF H1(6200) | () | | 107 |
| BSS NM ZZ NSF H1(6300) | () | | 108 |

109 - 117

| | | | |
|--------------|-------|-------|-----|
| PA SS (200) | () | | 110 |
| F SS (200) | () | | 111 |
| FL SS (200) | () | | 112 |
| P SS (200) | () | | 113 |
| T SS (200) | () | | 114 |
| F PL (200) | | | 115 |
| FL PL (200) | | | 116 |
| P PL (200) | | | 117 |

118 - 148

| | | | |
|----------------------------|-------|-------|-----|
| BSS (6000) | () | | 119 |
| BSS (6200) | () | | 120 |
| BSS (6300) | () | | 121 |
| BSS (51100) | () | | 122 |
| BSS (51200) | () | | 123 |
| BSS (51300) | () | | 124 |
| BSS 2RS NSF H1 (MICRO) | () | | 126 |
| BSS 2RS NSF H1 (61800) | () | | 127 |
| BSS 2RS NSF H1 (61900) | () | | 128 |
| BSS 2RS NSF H1 (6000) | () | | 129 |
| BSS 2RS NSF H1 (6200) | () | | 130 |
| BSS 2RS NSF H1 (6300) | () | | 131 |
| BSS 2RS NSF H1 (UC) | | | 132 |
| BSS 2RS NSF H1 (UCPA) | | | 133 |
| BSS 2RS NSF H1 (UCF) | | | 134 |
| BSS 2RS NSF H1 (UCFL) | | | 135 |
| BSS 2RS NSF H1 (UCP) | | | 136 |
| BSS 2RS NSF H1 (UCT) | | | 137 |
| BSS 2RS NSF H1 (UCF PL) | | | 138 |
| BSS 2RS NSF H1 (UCFL PL) | | | 139 |
| BSS 2RS NSF H1 (UCP PL) | | | 140 |
| BSS ZZ NSF H1 (6000) | () | | 142 |
| BSS ZZ NSF H1 (6200) | () | | 143 |
| BSS ZZ NSF H1 (6300) | () | | 144 |
| BSS 2RS C3 VT 180° (6000) | () | | 146 |
| BSS 2RS C3 VT 180° (6200) | () | | 147 |
| BSS 2RS C3 VT 180° (6300) | () | | 148 |

149 - 154

| | | |
|-------|-------|-----|
| | | 150 |
| | | 151 |
| | | 152 |
| | | 153 |
| | | 154 |





- BECO 2018,

| | | | | |
|--------|------|-------|--------------------|------|
| BeCo, | 2018 | | | |
| 2018 | - | Viton | BSS 2RS C3 VT 180° | PTFE |
| 280°C. | / | | | |

www.becoitalia.biz





| | | | |
|--|--|--|---|
| <p>UCP BHTS ZZ C4 200°</p>  | <p>UCF BHTS ZZ C4 200°</p>  | <p>UCFL BHTS ZZ C4 200°</p>  | <p>UCPA BHTS ZZ C4 200°</p>  |
| <p>UCP BHTS 2RS VT 250°-280°</p>  | <p>UCF BHTS 2RS VT 250°-280°</p>  | <p>UCFL BHTS 2RS VT 250°-280°</p>  | <p>UCPA BHTS 2RS VT 250°-280°</p>  |
| <p>UCP BHTS ZZ 280°</p>  | <p>UCF BHTS ZZ 280°</p>  | <p>UCFL BHTS ZZ 280°</p>  | <p>UCPA BHTS ZZ 280°</p>  |
| <p>UCP BHTS ZZ GR CG 350°</p>  | <p>UCF BHTS ZZ GR CG 350°</p>  | <p>UCFL BHTS ZZ GR CG 350°</p>  | <p>UCPA BHTS ZZ GR CG 350°</p>  |
| <p>UCP BHTS ZZ 350° BECO PLUS</p>  | <p>UCF BHTS ZZ 350° BECO PLUS</p>  | <p>UCFL BHTS ZZ 350° BECO PLUS</p>  | <p>UCPA BHTS ZZ 350° BECO PLUS</p>  |



| | | | | | | | | | >200°C | >280°C | >330°C | | | 30-60 |
|----------------------------------|---|-----|---|---|-----|-----|-----|---|--------|--------|--------|-----|---|-------|
| BHTS 2RS C3 VT 180° | Y | Y | Y | Y | N | Y | Y/N | N | N | N | Y/N | Y/N | Y | |
| BHTS 2RS C4 VT 200° | Y | Y | Y | Y | N | Y | Y/N | N | N | N | Y/N | Y | Y | |
| BHTS ZZ C4 200° | Y | Y | Y | Y | N | N | Y/N | N | N | N | Y | Y | Y | |
| BHTS ZZ C4 220°-250° | Y | Y | Y | Y | N | N | Y/N | Y | N | N | Y/N | Y/N | Y | |
| BHTS 2RS C4 VT 220° | Y | Y | Y | Y | N | Y | Y/N | Y | N | N | N | Y/N | Y | |
| BHTS 2RS VT 250°-280° | Y | Y | N | Y | N | Y | Y/N | Y | N | N | N | Y/N | Y | |
| BHTS ZZ 280° | Y | Y | N | Y | N | N | Y/N | Y | Y | N | Y | Y | Y | |
| BHTS 330° | Y | N | N | N | N | Y/N | Y/N | Y | Y | N | Y | Y | Y | |
| BHTS ZZ 350° BECO PLUS | Y | Y/N | N | Y | Y/N | Y/N | Y/N | Y | Y | Y | Y/N | Y | Y | |
| BHTS ZZ GR CG 350° | Y | N | N | Y | N | N | N | Y | Y | Y | N | Y | Y | |
| BHTS ZZ FB 375° BECO PLUS | Y | N | N | Y | Y | Y/N | Y | Y | Y | Y | N | Y/N | Y | |
| BHT FB 400° | Y | N | N | N | Y | Y/N | Y | Y | Y | Y | Y/N | Y | Y | |
| BHT FB 450° BECO PLUS | Y | N | N | Y | Y | Y/N | Y | Y | Y | Y | N | Y/N | Y | |

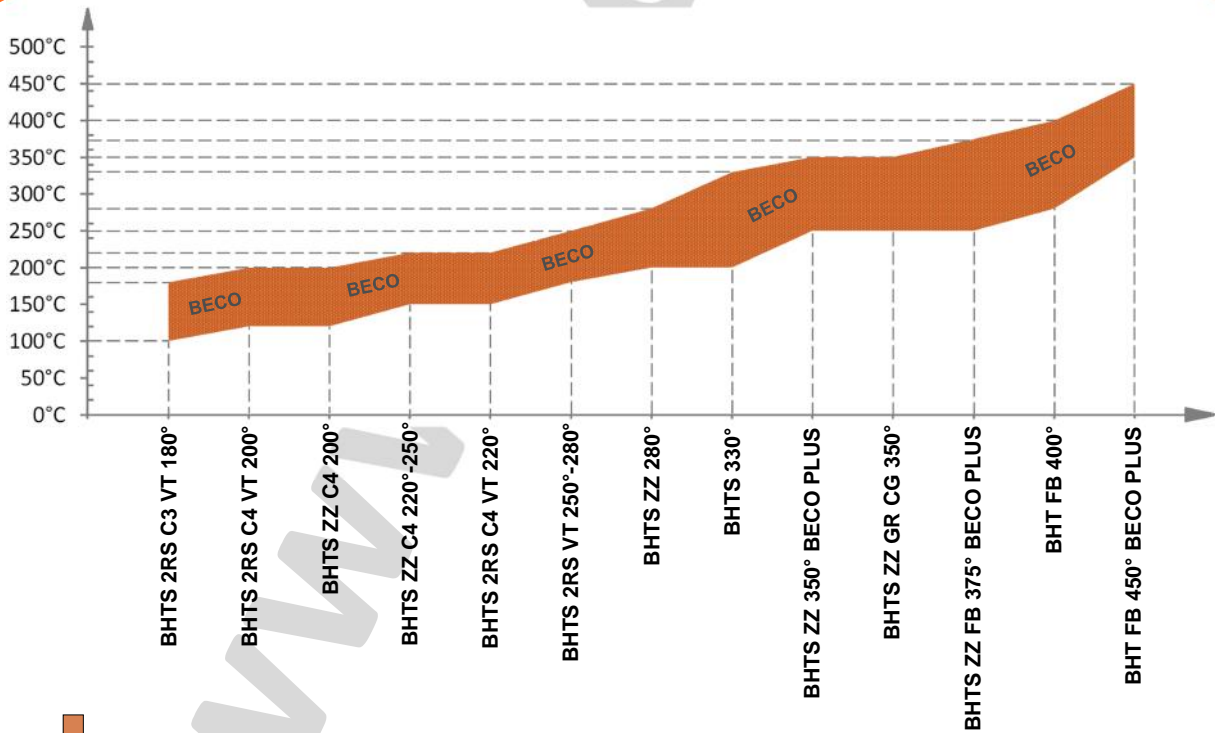
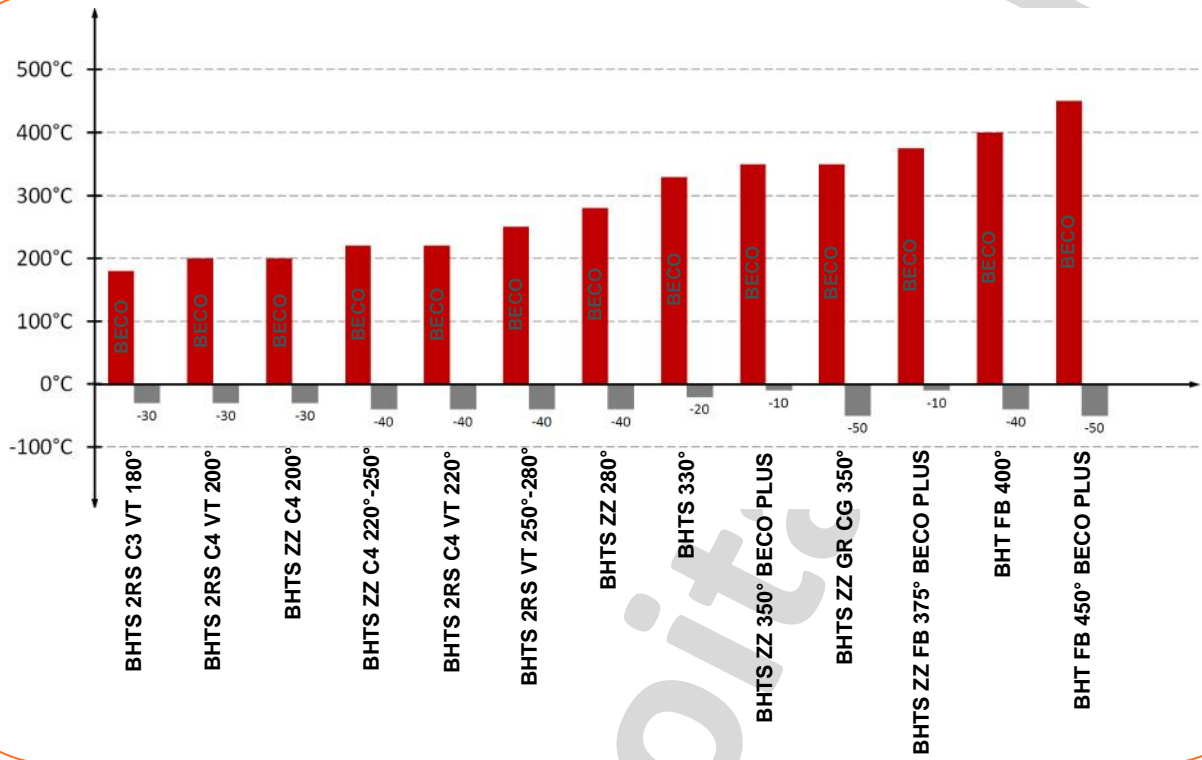
Y = ; Y/N = ; N = ;

| | |
|--|----------|
| | < 100 / |
| | < 1000 / |
| | > 2000 / |
| | () |
| | (-) |
| | |
| | >200°C |
| | >280°C |
| | >330°C |
| | |
| | |
| | 30-60 |





iz





BHTS 2RS C3 VT 180°

BHTS 2RS C3 VT 180°.

BHTS 2RS C3 VT 180°

Viton,

30° +180°

BHTS 2RS C3 VT 180°

Viton

BHTS 2RS C3 VT 180°

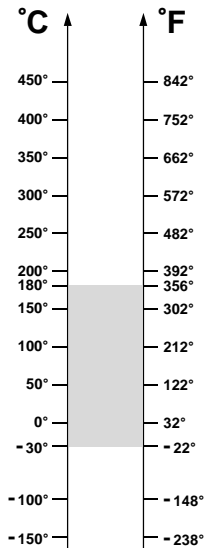
Viton.

C3 : AISI 52100
2RS

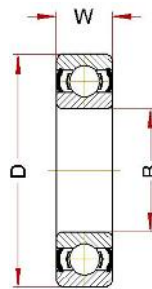
Viton 200°C
200°C



BHTS 2RS C3 VT 180° (6000)



: 30° / 180°C

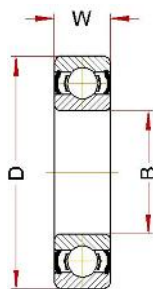
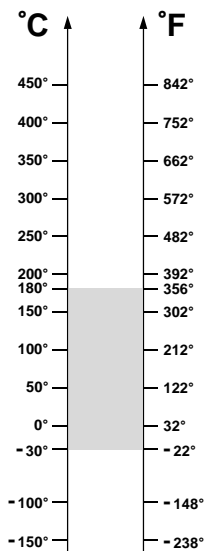


: 100° / 180°C



| | (B) | (D) | (W) | ' | / | , kN 180°C | , kN 20°C |
|---------------------------------|-----|-----|-----|-----|------|---------------|--------------|
| 6000 BHTS 2RS C3 VT 180° | 10 | 26 | 8 | 20 | 6600 | 1,7 | 1,96 |
| 6001 BHTS 2RS C3 VT 180° | 12 | 28 | 8 | 25 | 6380 | 2,1 | 2,36 |
| 6002 BHTS 2RS C3 VT 180° | 15 | 32 | 9 | 30 | 6160 | 2,5 | 2,85 |
| 6003 BHTS 2RS C3 VT 180° | 17 | 35 | 10 | 40 | 5940 | 2,9 | 3,25 |
| 6004 BHTS 2RS C3 VT 180° | 20 | 42 | 12 | 69 | 5720 | 4,5 | 5,00 |
| 6005 BHTS 2RS C3 VT 180° | 25 | 47 | 12 | 80 | 5280 | 5,2 | 5,85 |
| 6006 BHTS 2RS C3 VT 180° | 30 | 55 | 13 | 120 | 4840 | 7,2 | 8,00 |
| 6007 BHTS 2RS C3 VT 180° | 35 | 62 | 14 | 160 | 4400 | 9,3 | 10,4 |
| 6008 BHTS 2RS C3 VT 180° | 40 | 68 | 15 | 190 | 3960 | 10,6 | 11,8 |
| 6009 BHTS 2RS C3 VT 180° | 45 | 75 | 16 | 250 | 3520 | 12,8 | 14,3 |
| 6010 BHTS 2RS C3 VT 180° | 50 | 80 | 16 | 260 | 3080 | 14,0 | 15,6 |

BHTS 2RS C3 VT 180° (6200)

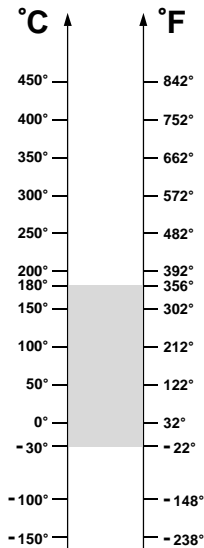


: 30° / 180°C

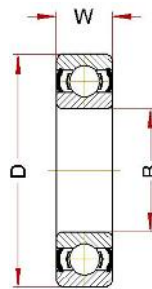
: 100° / 180°C

| | (B) | (D) | (W) | ' | ' / | , kN 180°C | , kN 20°C |
|---------------------------------|-----|-----|-----|-----|------|---------------|--------------|
| 6200 BHTS 2RS C3 VT 180° | 10 | 30 | 9 | 30 | 6380 | 2,3 | 2,60 |
| 6201 BHTS 2RS C3 VT 180° | 12 | 32 | 10 | 37 | 6160 | 2,8 | 3,10 |
| 6202 BHTS 2RS C3 VT 180° | 15 | 35 | 11 | 45 | 5940 | 3,3 | 3,75 |
| 6203 BHTS 2RS C3 VT 180° | 17 | 40 | 12 | 65 | 5720 | 4,2 | 4,75 |
| 6204 BHTS 2RS C3 VT 180° | 20 | 47 | 14 | 110 | 5280 | 5,9 | 6,55 |
| 6205 BHTS 2RS C3 VT 180° | 25 | 52 | 15 | 130 | 4840 | 7,2 | 8,00 |
| 6206 BHTS 2RS C3 VT 180° | 30 | 62 | 16 | 200 | 4400 | 10,0 | 11,2 |
| 6207 BHTS 2RS C3 VT 180° | 35 | 72 | 17 | 290 | 3960 | 13,7 | 15,3 |
| 6208 BHTS 2RS C3 VT 180° | 40 | 80 | 18 | 370 | 3520 | 16,2 | 18,0 |
| 6209 BHTS 2RS C3 VT 180° | 45 | 85 | 19 | 410 | 3080 | 18,3 | 20,4 |
| 6210 BHTS 2RS C3 VT 180° | 50 | 90 | 20 | 460 | 2640 | 21,6 | 24,0 |

BHTS 2RS C3 VT 180° (6300)



: 30° / 180°C



: 100° / 180°C



| | (B) | (D) | (W) | ' | ' / | , kN 180°C | , kN 20°C |
|---------------------------------|-----|-----|-----|------|------|---------------|--------------|
| 6300 BHTS 2RS C3 VT 180° | 10 | 35 | 11 | 52 | 6160 | 3,1 | 3,45 |
| 6301 BHTS 2RS C3 VT 180° | 12 | 37 | 12 | 60 | 5940 | 3,7 | 4,15 |
| 6302 BHTS 2RS C3 VT 180° | 15 | 42 | 13 | 80 | 5720 | 4,8 | 5,40 |
| 6303 BHTS 2RS C3 VT 180° | 17 | 47 | 14 | 120 | 5280 | 5,8 | 6,55 |
| 6304 BHTS 2RS C3 VT 180° | 20 | 52 | 15 | 140 | 4840 | 7,6 | 8,50 |
| 6305 BHTS 2RS C3 VT 180° | 25 | 62 | 17 | 225 | 4400 | 10,2 | 11,4 |
| 6306 BHTS 2RS C3 VT 180° | 30 | 72 | 19 | 350 | 3960 | 14,6 | 16,3 |
| 6307 BHTS 2RS C3 VT 180° | 35 | 80 | 21 | 450 | 3520 | 17,1 | 19,0 |
| 6308 BHTS 2RS C3 VT 180° | 40 | 90 | 23 | 620 | 3080 | 22,5 | 25,0 |
| 6309 BHTS 2RS C3 VT 180° | 45 | 100 | 25 | 830 | 2640 | 28,8 | 32,0 |
| 6310 BHTS 2RS C3 VT 180° | 50 | 110 | 27 | 1050 | 2200 | 34,2 | 38,0 |



BHTS 2RS C4 VT 200°

BHTS 2RS C4 VT 200°

Viton,

30° +200°

BHTS 2RS C4 VT 200°

BHTS 2RS C4 VT 200°

Viton

BHTS 2RS C4 VT 200°

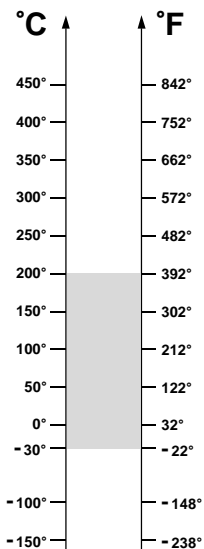
Viton.

C4 : AISI 52100
2RS

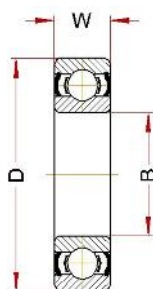
Viton 200°C
200°C



BHTS 2RS C4 VT 200° (61800)



: 30° / 200°C

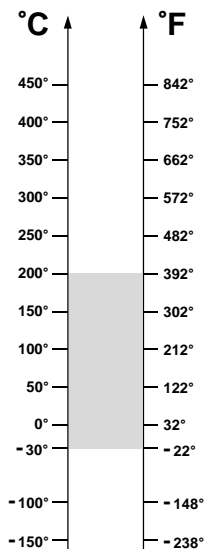


: 120° / 200°C

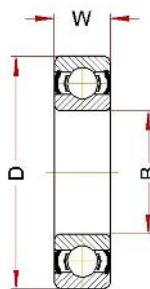


| | (B) | (D) | (W) | ' | / | , kN 200°C | , kN 20°C |
|----------------------------------|-----|-----|-----|----|------|---------------|--------------|
| 61800 BHTS 2RS C4 VT 200° | 10 | 19 | 5 | 6 | 6000 | 0,47 | 0,53 |
| 61801 BHTS 2RS C4 VT 200° | 12 | 21 | 5 | 7 | 6000 | 0,85 | 0,95 |
| 61802 BHTS 2RS C4 VT 200° | 15 | 24 | 5 | 8 | 6000 | 1,12 | 1,25 |
| 61803 BHTS 2RS C4 VT 200° | 17 | 26 | 5 | 9 | 6000 | 1,30 | 1,45 |
| 61804 BHTS 2RS C4 VT 200° | 20 | 32 | 7 | 18 | 5600 | 2,01 | 2,24 |
| 61805 BHTS 2RS C4 VT 200° | 25 | 37 | 7 | 24 | 5400 | 2,52 | 2,80 |
| 61806 BHTS 2RS C4 VT 200° | 30 | 42 | 7 | 27 | 5000 | 3,00 | 3,35 |
| 61807 BHTS 2RS C4 VT 200° | 35 | 47 | 7 | 32 | 4800 | 3,24 | 3,60 |
| 61808 BHTS 2RS C4 VT 200° | 40 | 52 | 7 | 35 | 4400 | 3,80 | 4,25 |
| 61809 BHTS 2RS C4 VT 200° | 45 | 58 | 7 | 42 | 4000 | 5,04 | 5,60 |
| 61810 BHTS 2RS C4 VT 200° | 50 | 65 | 7 | 52 | 3600 | 5,60 | 6,30 |

BHTS 2RS C4 VT 200° (6000)



: 30° / 200°C

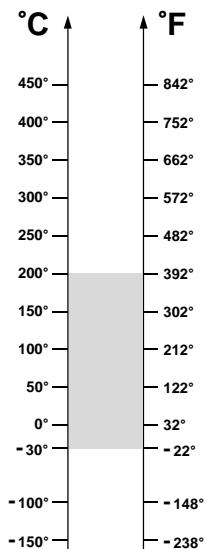


: 120° / 200°C

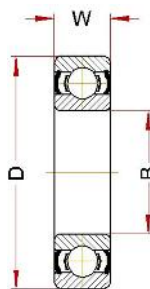


| | (B) | (D) | (W) | ' | / | , kN 200°C | , kN 20°C |
|---------------------------------|-----|-----|-----|-----|------|---------------|--------------|
| 6000 BHTS 2RS C4 VT 200° | 10 | 26 | 8 | 20 | 6000 | 1,76 | 1,96 |
| 6001 BHTS 2RS C4 VT 200° | 12 | 28 | 8 | 25 | 5800 | 2,10 | 2,36 |
| 6002 BHTS 2RS C4 VT 200° | 15 | 32 | 9 | 30 | 5600 | 2,50 | 2,85 |
| 6003 BHTS 2RS C4 VT 200° | 17 | 35 | 10 | 40 | 5400 | 2,90 | 3,25 |
| 6004 BHTS 2RS C4 VT 200° | 20 | 42 | 12 | 69 | 5200 | 4,50 | 5,00 |
| 6005 BHTS 2RS C4 VT 200° | 25 | 47 | 12 | 80 | 4800 | 5,20 | 5,85 |
| 6006 BHTS 2RS C4 VT 200° | 30 | 55 | 13 | 120 | 4400 | 7,20 | 8,00 |
| 6007 BHTS 2RS C4 VT 200° | 35 | 62 | 14 | 160 | 4000 | 9,30 | 10,4 |
| 6008 BHTS 2RS C4 VT 200° | 40 | 68 | 15 | 190 | 3600 | 10,6 | 11,8 |
| 6009 BHTS 2RS C4 VT 200° | 45 | 75 | 16 | 250 | 3200 | 12,8 | 14,3 |
| 6010 BHTS 2RS C4 VT 200° | 50 | 80 | 16 | 260 | 2800 | 14,0 | 15,6 |
| 6011 BHTS 2RS C4 VT 200° | 55 | 90 | 18 | 390 | 2400 | 19,0 | 21,2 |
| 6012 BHTS 2RS C4 VT 200° | 60 | 95 | 18 | 420 | 2000 | 20,8 | 23,2 |
| 6013 BHTS 2RS C4 VT 200° | 65 | 100 | 18 | 440 | 1800 | 22,5 | 25,0 |
| 6014 BHTS 2RS C4 VT 200° | 70 | 110 | 20 | 600 | 1600 | 28,3 | 31,5 |
| 6015 BHTS 2RS C4 VT 200° | 75 | 115 | 20 | 640 | 1400 | 30,6 | 34,0 |

BHTS 2RS C4 VT 200° (6200)



: 30° / 200°C

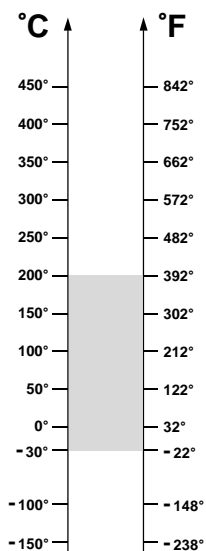


: 120° / 200°C

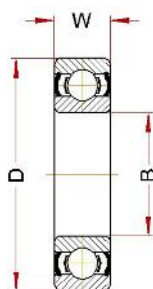


| | (B) | (D) | (W) | ' | / | , kN 200°C | , kN 20°C |
|---------------------------------|-----|-----|-----|------|------|---------------|--------------|
| 6200 BHTS 2RS C4 VT 200° | 10 | 30 | 9 | 30 | 5800 | 2,3 | 2,60 |
| 6201 BHTS 2RS C4 VT 200° | 12 | 32 | 10 | 37 | 5600 | 2,8 | 3,10 |
| 6202 BHTS 2RS C4 VT 200° | 15 | 35 | 11 | 45 | 5400 | 3,3 | 3,75 |
| 6203 BHTS 2RS C4 VT 200° | 17 | 40 | 12 | 65 | 5200 | 4,2 | 4,75 |
| 6204 BHTS 2RS C4 VT 200° | 20 | 47 | 14 | 110 | 4800 | 5,9 | 6,55 |
| 6205 BHTS 2RS C4 VT 200° | 25 | 52 | 15 | 130 | 4400 | 7,2 | 8,00 |
| 6206 BHTS 2RS C4 VT 200° | 30 | 62 | 16 | 200 | 4000 | 10,0 | 11,2 |
| 6207 BHTS 2RS C4 VT 200° | 35 | 72 | 17 | 290 | 3600 | 13,7 | 15,3 |
| 6208 BHTS 2RS C4 VT 200° | 40 | 80 | 18 | 370 | 3200 | 16,2 | 18,0 |
| 6209 BHTS 2RS C4 VT 200° | 45 | 85 | 19 | 410 | 2800 | 18,3 | 20,4 |
| 6210 BHTS 2RS C4 VT 200° | 50 | 90 | 20 | 460 | 2400 | 21,6 | 24,0 |
| 6211 BHTS 2RS C4 VT 200° | 55 | 100 | 21 | 610 | 2000 | 26,1 | 29,0 |
| 6212 BHTS 2RS C4 VT 200° | 60 | 110 | 22 | 780 | 1800 | 32,4 | 36,0 |
| 6213 BHTS 2RS C4 VT 200° | 65 | 120 | 23 | 990 | 1600 | 37,3 | 41,5 |
| 6214 BHTS 2RS C4 VT 200° | 70 | 125 | 24 | 1040 | 1400 | 39,6 | 44,0 |
| 6215 BHTS 2RS C4 VT 200° | 75 | 130 | 25 | 1210 | 1200 | 44,1 | 49,0 |

BHTS 2RS C4 VT 200° (6300)



: 30° / 200°C



: 120° / 200°C



| | (B) | (D) | (W) | ' | ' / | , kN 200°C | , kN 20°C |
|---------------------------------|-----|-----|-----|------|------|---------------|--------------|
| 6300 BHTS 2RS C4 VT 200° | 10 | 35 | 11 | 52 | 5600 | 3,1 | 3,45 |
| 6301 BHTS 2RS C4 VT 200° | 12 | 37 | 12 | 60 | 5400 | 3,7 | 4,15 |
| 6302 BHTS 2RS C4 VT 200° | 15 | 42 | 13 | 80 | 5200 | 4,8 | 5,40 |
| 6303 BHTS 2RS C4 VT 200° | 17 | 47 | 14 | 120 | 4800 | 5,8 | 6,55 |
| 6304 BHTS 2RS C4 VT 200° | 20 | 52 | 15 | 140 | 4400 | 7,6 | 8,50 |
| 6305 BHTS 2RS C4 VT 200° | 25 | 62 | 17 | 225 | 4000 | 10,2 | 11,4 |
| 6306 BHTS 2RS C4 VT 200° | 30 | 72 | 19 | 350 | 3600 | 14,6 | 16,3 |
| 6307 BHTS 2RS C4 VT 200° | 35 | 80 | 21 | 450 | 3200 | 17,1 | 19,0 |
| 6308 BHTS 2RS C4 VT 200° | 40 | 90 | 23 | 620 | 2800 | 22,5 | 25,0 |
| 6309 BHTS 2RS C4 VT 200° | 45 | 100 | 25 | 830 | 2400 | 28,8 | 32,0 |
| 6310 BHTS 2RS C4 VT 200° | 50 | 110 | 27 | 1050 | 2000 | 34,2 | 38,0 |
| 6311 BHTS 2RS C4 VT 200° | 55 | 120 | 29 | 1350 | 1800 | 42,7 | 47,5 |
| 6312 BHTS 2RS C4 VT 200° | 60 | 130 | 31 | 1700 | 1600 | 46,8 | 52,0 |
| 6313 BHTS 2RS C4 VT 200° | 65 | 140 | 33 | 2100 | 1400 | 54,0 | 60,0 |
| 6314 BHTS 2RS C4 VT 200° | 70 | 150 | 35 | 2500 | 1200 | 61,2 | 68,0 |
| 6315 BHTS 2RS C4 VT 200° | 75 | 160 | 37 | 3000 | 1000 | 68,8 | 76,5 |



BHTS ZZ C4 200°

BHTS ZZ C4 200°

30° +200°

ZZ

BHTS ZZ C4 200°

BHTS ZZ C4 200°

BHTS ZZ C4 200°
ZZ

200°
BHTS 2RS C4 VT 200°

Viton.

AISI 52100

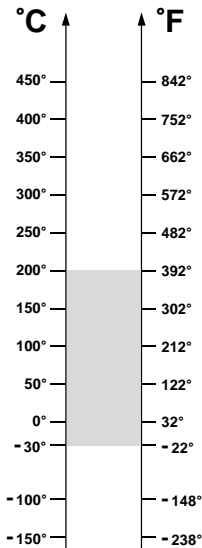
ZZ

C4

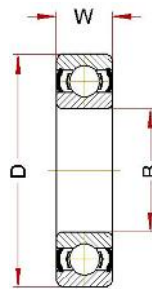
200°C



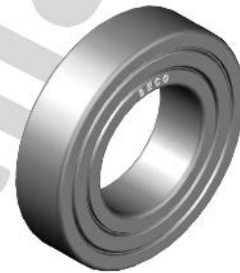
BHTS ZZ C4 200° (61800)



: 30° / 200°C

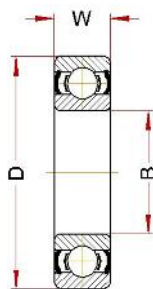
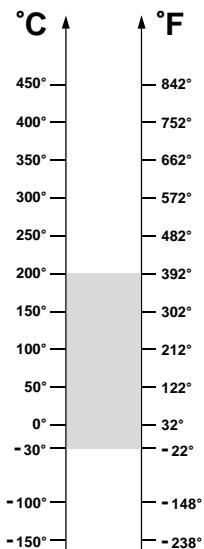


: 120° / 200°C



| | (B) | (D) | (W) | ' | / | , kN 200°C | , kN 20°C |
|-----------------------|-----|-----|-----|-----|------|---------------|--------------|
| 61800 BHTS ZZ C4 200° | 10 | 19 | 5 | 6 | 6000 | 0,47 | 0,53 |
| 61801 BHTS ZZ C4 200° | 12 | 21 | 5 | 7 | 6000 | 0,85 | 0,95 |
| 61802 BHTS ZZ C4 200° | 15 | 24 | 5 | 8 | 6000 | 1,12 | 1,25 |
| 61803 BHTS ZZ C4 200° | 17 | 26 | 5 | 9 | 6000 | 1,30 | 1,45 |
| 61804 BHTS ZZ C4 200° | 20 | 32 | 7 | 18 | 5600 | 2,01 | 2,24 |
| 61805 BHTS ZZ C4 200° | 25 | 37 | 7 | 24 | 5400 | 2,52 | 2,80 |
| 61806 BHTS ZZ C4 200° | 30 | 42 | 7 | 27 | 5000 | 3,00 | 3,35 |
| 61807 BHTS ZZ C4 200° | 35 | 47 | 7 | 32 | 4800 | 3,20 | 3,60 |
| 61808 BHTS ZZ C4 200° | 40 | 52 | 7 | 35 | 4400 | 3,80 | 4,25 |
| 61809 BHTS ZZ C4 200° | 45 | 58 | 7 | 42 | 4000 | 5,04 | 5,60 |
| 61810 BHTS ZZ C4 200° | 50 | 65 | 7 | 52 | 3600 | 5,60 | 6,30 |
| 61811 BHTS ZZ C4 200° | 55 | 72 | 9 | 81 | 3200 | 7,60 | 8,50 |
| 61812 BHTS ZZ C4 200° | 60 | 78 | 10 | 105 | 2800 | 9,90 | 11,0 |
| 61813 BHTS ZZ C4 200° | 65 | 85 | 10 | 124 | 2600 | 10,8 | 12,0 |
| 61814 BHTS ZZ C4 200° | 70 | 90 | 10 | 133 | 2000 | 11,2 | 12,5 |
| 61815 BHTS ZZ C4 200° | 75 | 95 | 10 | 143 | 2000 | 12,0 | 13,4 |

BHTS ZZ C4 200° (6000)

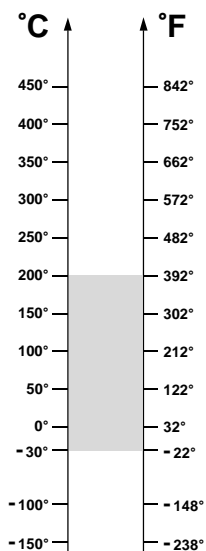


: 30° / 200°C

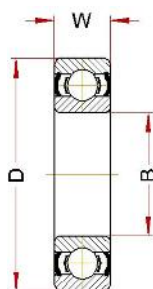
: 120° / 200°C

| | (B) | (D) | (W) | ' | / | , kN 200°C | , kN 20°C |
|----------------------|-----|-----|-----|------|------|---------------|--------------|
| 6000 BHTS ZZ C4 200° | 10 | 26 | 8 | 20 | 6000 | 1,7 | 1,96 |
| 6001 BHTS ZZ C4 200° | 12 | 28 | 8 | 25 | 5800 | 2,1 | 2,36 |
| 6002 BHTS ZZ C4 200° | 15 | 32 | 9 | 30 | 5600 | 2,5 | 2,85 |
| 6003 BHTS ZZ C4 200° | 17 | 35 | 10 | 40 | 5400 | 2,9 | 3,25 |
| 6004 BHTS ZZ C4 200° | 20 | 42 | 12 | 69 | 5200 | 4,5 | 5,00 |
| 6005 BHTS ZZ C4 200° | 25 | 47 | 12 | 80 | 4800 | 5,2 | 5,85 |
| 6006 BHTS ZZ C4 200° | 30 | 55 | 13 | 120 | 4400 | 7,2 | 8,00 |
| 6007 BHTS ZZ C4 200° | 35 | 62 | 14 | 160 | 4000 | 9,3 | 10,4 |
| 6008 BHTS ZZ C4 200° | 40 | 68 | 15 | 190 | 3600 | 10,6 | 11,8 |
| 6009 BHTS ZZ C4 200° | 45 | 75 | 16 | 250 | 3200 | 12,8 | 14,3 |
| 6010 BHTS ZZ C4 200° | 50 | 80 | 16 | 260 | 2800 | 14,0 | 15,6 |
| 6011 BHTS ZZ C4 200° | 55 | 90 | 18 | 390 | 2400 | 19,0 | 21,2 |
| 6012 BHTS ZZ C4 200° | 60 | 95 | 18 | 420 | 2000 | 20,8 | 23,2 |
| 6013 BHTS ZZ C4 200° | 65 | 100 | 18 | 440 | 1800 | 22,5 | 25,0 |
| 6014 BHTS ZZ C4 200° | 70 | 110 | 20 | 600 | 1600 | 28,3 | 31,5 |
| 6015 BHTS ZZ C4 200° | 75 | 115 | 20 | 640 | 1400 | 30,6 | 34,0 |
| 6016 BHTS ZZ C4 200° | 80 | 125 | 22 | 850 | 1200 | 36,0 | 40,0 |
| 6017 BHTS ZZ C4 200° | 85 | 130 | 22 | 890 | 1000 | 38,7 | 42,9 |
| 6018 BHTS ZZ C4 200° | 90 | 140 | 24 | 1150 | 900 | 45,0 | 49,9 |
| 6019 BHTS ZZ C4 200° | 95 | 145 | 24 | 1200 | 800 | 48,6 | 53,9 |
| 6020 BHTS ZZ C4 200° | 100 | 150 | 24 | 1250 | 700 | 48,6 | 53,9 |

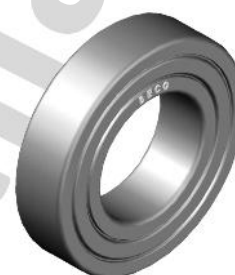
BHTS ZZ C4 200° (6200)



: 30° / 200°C

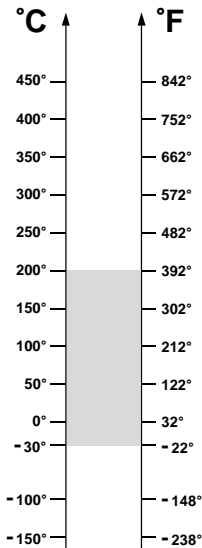


: 120° / 200°C

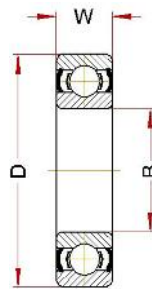


| | (B) | (D) | (W) | ' | ' / | , kN 200°C | , kN 20°C |
|----------------------|-----|-----|-----|------|------|---------------|--------------|
| 6200 BHTS ZZ C4 200° | 10 | 30 | 9 | 30 | 5800 | 2,3 | 2,6 |
| 6201 BHTS ZZ C4 200° | 12 | 32 | 10 | 37 | 5600 | 2,8 | 3,1 |
| 6202 BHTS ZZ C4 200° | 15 | 35 | 11 | 45 | 5400 | 3,3 | 3,7 |
| 6203 BHTS ZZ C4 200° | 17 | 40 | 12 | 65 | 5200 | 4,2 | 4,7 |
| 6204 BHTS ZZ C4 200° | 20 | 47 | 14 | 110 | 4800 | 5,9 | 6,5 |
| 6205 BHTS ZZ C4 200° | 25 | 52 | 15 | 130 | 4400 | 7,2 | 8,0 |
| 6206 BHTS ZZ C4 200° | 30 | 62 | 16 | 200 | 4000 | 10,0 | 11,2 |
| 6207 BHTS ZZ C4 200° | 35 | 72 | 17 | 290 | 3600 | 13,7 | 15,3 |
| 6208 BHTS ZZ C4 200° | 40 | 80 | 18 | 370 | 3200 | 16,2 | 18,0 |
| 6209 BHTS ZZ C4 200° | 45 | 85 | 19 | 410 | 2800 | 18,3 | 20,4 |
| 6210 BHTS ZZ C4 200° | 50 | 90 | 20 | 460 | 2400 | 21,6 | 24,0 |
| 6211 BHTS ZZ C4 200° | 55 | 100 | 21 | 610 | 2000 | 26,1 | 29,0 |
| 6212 BHTS ZZ C4 200° | 60 | 110 | 22 | 780 | 1800 | 32,4 | 36,0 |
| 6213 BHTS ZZ C4 200° | 65 | 120 | 23 | 990 | 1600 | 37,3 | 41,5 |
| 6214 BHTS ZZ C4 200° | 70 | 125 | 24 | 1040 | 1400 | 39,6 | 44,0 |
| 6215 BHTS ZZ C4 200° | 75 | 130 | 25 | 1210 | 1200 | 44,1 | 49,0 |
| 6216 BHTS ZZ C4 200° | 80 | 140 | 26 | 1400 | 1000 | 49,5 | 55,0 |
| 6217 BHTS ZZ C4 200° | 85 | 150 | 28 | 1800 | 900 | 57,6 | 64,0 |
| 6218 BHTS ZZ C4 200° | 90 | 160 | 30 | 2150 | 800 | 66,1 | 73,5 |
| 6219 BHTS ZZ C4 200° | 95 | 170 | 32 | 2600 | 700 | 73,3 | 81,5 |
| 6220 BHTS ZZ C4 200° | 100 | 180 | 34 | 3150 | 600 | 83,7 | 93,0 |

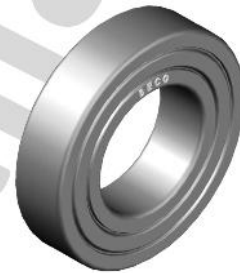
BHTS ZZ C4 200° (6300)



: 30° / 200°C

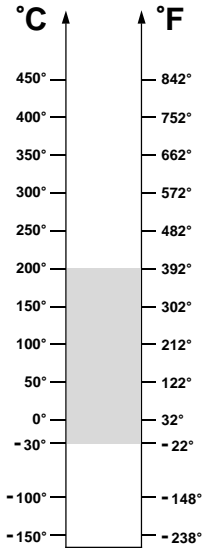


: 120° / 200°C

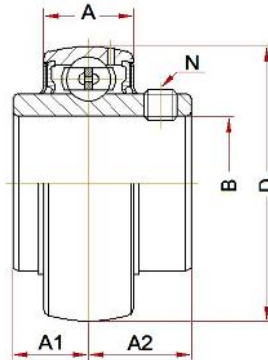


| | (B) | (D) | (W) | ' | ' / | , kN 200°C | , kN 20°C |
|----------------------|-----|-----|-----|------|------|---------------|--------------|
| 6300 BHTS ZZ C4 200° | 10 | 35 | 11 | 52 | 5600 | 3,1 | 3,45 |
| 6301 BHTS ZZ C4 200° | 12 | 37 | 12 | 60 | 5400 | 3,7 | 4,15 |
| 6302 BHTS ZZ C4 200° | 15 | 42 | 13 | 80 | 5200 | 4,8 | 5,40 |
| 6303 BHTS ZZ C4 200° | 17 | 47 | 14 | 120 | 4800 | 5,8 | 6,55 |
| 6304 BHTS ZZ C4 200° | 20 | 52 | 15 | 140 | 4400 | 7,6 | 8,50 |
| 6305 BHTS ZZ C4 200° | 25 | 62 | 17 | 225 | 4000 | 10,2 | 11,4 |
| 6306 BHTS ZZ C4 200° | 30 | 72 | 19 | 350 | 3600 | 14,6 | 16,3 |
| 6307 BHTS ZZ C4 200° | 35 | 80 | 21 | 450 | 3200 | 17,1 | 19,0 |
| 6308 BHTS ZZ C4 200° | 40 | 90 | 23 | 620 | 2800 | 22,5 | 25,0 |
| 6309 BHTS ZZ C4 200° | 45 | 100 | 25 | 830 | 2400 | 28,8 | 32,0 |
| 6310 BHTS ZZ C4 200° | 50 | 110 | 27 | 1050 | 2000 | 34,2 | 38,0 |
| 6311 BHTS ZZ C4 200° | 55 | 120 | 29 | 1350 | 1800 | 42,7 | 47,5 |
| 6312 BHTS ZZ C4 200° | 60 | 130 | 31 | 1700 | 1600 | 46,8 | 52,0 |
| 6313 BHTS ZZ C4 200° | 65 | 140 | 33 | 2100 | 1400 | 54,0 | 60,0 |
| 6314 BHTS ZZ C4 200° | 70 | 150 | 35 | 2500 | 1200 | 61,2 | 68,0 |
| 6315 BHTS ZZ C4 200° | 75 | 160 | 37 | 3000 | 1000 | 68,8 | 76,5 |
| 6316 BHTS ZZ C4 200° | 80 | 170 | 39 | 3600 | 900 | 77,8 | 86,5 |
| 6317 BHTS ZZ C4 200° | 85 | 180 | 41 | 4250 | 800 | 86,8 | 96,5 |
| 6318 BHTS ZZ C4 200° | 90 | 190 | 43 | 4900 | 700 | 97,2 | 108 |
| 6319 BHTS ZZ C4 200° | 95 | 200 | 45 | 5650 | 600 | 106,2 | 118 |
| 6320 BHTS ZZ C4 200° | 100 | 215 | 47 | 7000 | 500 | 126,0 | 140 |

BHTS ZZ C4 200° (UC)



: 30° / 200°C

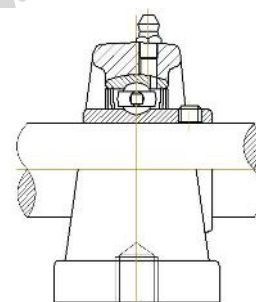
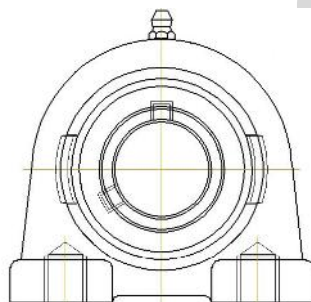
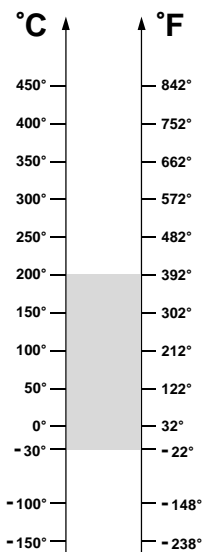
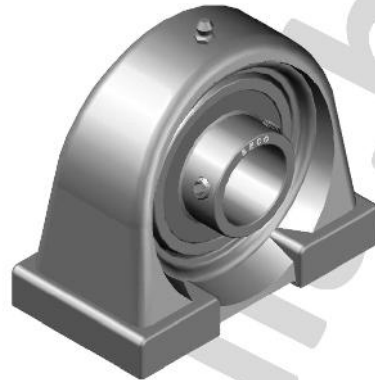


: 120° / 200°C



| | (B) | (D) | A | A1 | A2 | N | | / | , kN 200°C | , kN 20°C |
|------------------------|-----|-----|--------|------|------|----------|------|------|---------------|--------------|
| UC 201 BHTS ZZ C4 200° | 12 | 47 | 13 ± 2 | 11,5 | 15,9 | M6x0,75 | 200 | 1440 | 6,0 | 6,6 |
| UC 202 BHTS ZZ C4 200° | 15 | 47 | 13 ± 2 | 11,5 | 15,9 | M6x0,75 | 200 | 1440 | 6,0 | 6,6 |
| UC 203 BHTS ZZ C4 200° | 17 | 47 | 13 ± 2 | 11,5 | 15,9 | M6x0,75 | 200 | 1440 | 6,0 | 6,6 |
| UC 204 BHTS ZZ C4 200° | 20 | 47 | 15 ± 2 | 12,7 | 18,3 | M6x0,75 | 250 | 1200 | 6,0 | 6,6 |
| UC 205 BHTS ZZ C4 200° | 25 | 52 | 16 ± 1 | 14,3 | 19,8 | M6x0,75 | 300 | 1120 | 7,09 | 7,8 |
| UC 206 BHTS ZZ C4 200° | 30 | 62 | 17 ± 2 | 15,9 | 22,2 | M6x0,75 | 350 | 880 | 10,19 | 11,2 |
| UC 207 BHTS ZZ C4 200° | 35 | 72 | 18 ± 2 | 17,5 | 25,4 | M8x1,00 | 500 | 760 | 13,73 | 15,1 |
| UC 208 BHTS ZZ C4 200° | 40 | 80 | 19 ± 2 | 19,0 | 30,2 | M8x1,00 | 700 | 680 | 16,55 | 18,2 |
| UC 209 BHTS ZZ C4 200° | 45 | 85 | 20 ± 2 | 19,0 | 30,2 | M8x1,00 | 800 | 640 | 18,73 | 20,6 |
| UC 210 BHTS ZZ C4 200° | 50 | 90 | 22 ± 2 | 19,0 | 32,6 | M10x1,25 | 900 | 600 | 21,00 | 23,1 |
| UC 211 BHTS ZZ C4 200° | 55 | 100 | 23 ± 2 | 22,2 | 33,4 | M10x1,25 | 1300 | 536 | 26,37 | 29,0 |
| UC 212 BHTS ZZ C4 200° | 60 | 110 | 24 ± 3 | 25,4 | 39,7 | M10x1,25 | 1700 | 480 | 29,64 | 32,6 |
| UC 213 BHTS ZZ C4 200° | 65 | 120 | 27 ± 5 | 25,4 | 39,7 | M10x1,25 | 1900 | 424 | 36,19 | 39,8 |
| UC 214 BHTS ZZ C4 200° | 70 | 125 | 28 ± 5 | 30,2 | 44,4 | M12x1,50 | 2100 | 400 | 40,64 | 44,7 |
| UC 215 BHTS ZZ C4 200° | 75 | 130 | 29 ± 5 | 33,3 | 44,5 | M12x1,50 | 2200 | 384 | 44,73 | 49,2 |

BHTS ZZ C4 200° (UCPA)

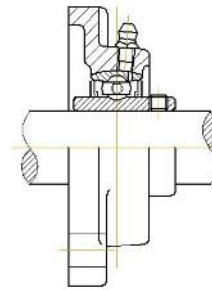
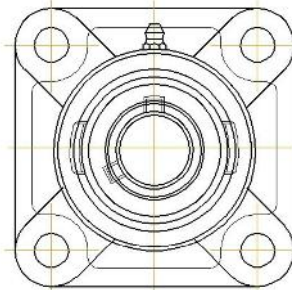
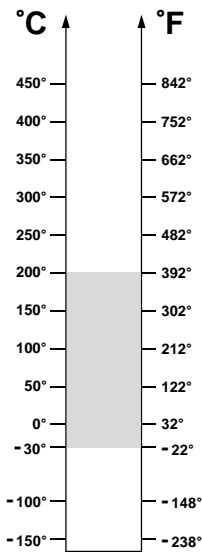
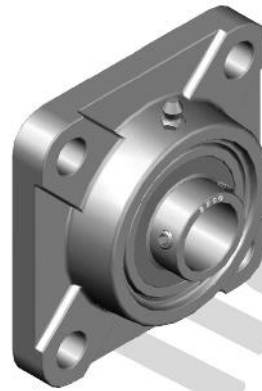


: 30° / 200°C

: 120° / 200°C

| | | |
|---------------------------------|------------------------|-----------|
| UCPA 201 BHTS ZZ C4 200° | UC 201 BHTS ZZ C4 200° | PA 204 SS |
| UCPA 202 BHTS ZZ C4 200° | UC 202 BHTS ZZ C4 200° | PA 204 SS |
| UCPA 203 BHTS ZZ C4 200° | UC 203 BHTS ZZ C4 200° | PA 204 SS |
| UCPA 204 BHTS ZZ C4 200° | UC 204 BHTS ZZ C4 200° | PA 204 SS |
| UCPA 205 BHTS ZZ C4 200° | UC 205 BHTS ZZ C4 200° | PA 205 SS |
| UCPA 206 BHTS ZZ C4 200° | UC 206 BHTS ZZ C4 200° | PA 206 SS |
| UCPA 207 BHTS ZZ C4 200° | UC 207 BHTS ZZ C4 200° | PA 207 SS |
| UCPA 208 BHTS ZZ C4 200° | UC 208 BHTS ZZ C4 200° | PA 208 SS |
| UCPA 209 BHTS ZZ C4 200° | UC 209 BHTS ZZ C4 200° | PA 209 SS |
| UCPA 210 BHTS ZZ C4 200° | UC 210 BHTS ZZ C4 200° | PA 210 SS |

BHTS ZZ C4 200° (UCF)

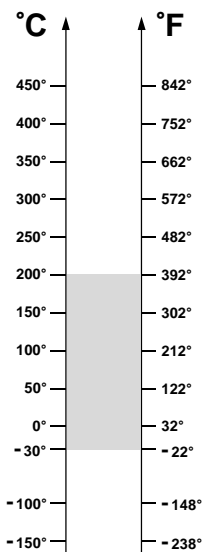


: 30° / 200°C

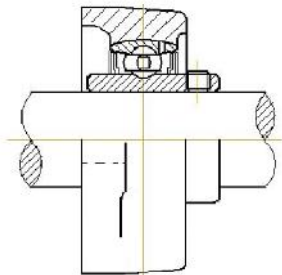
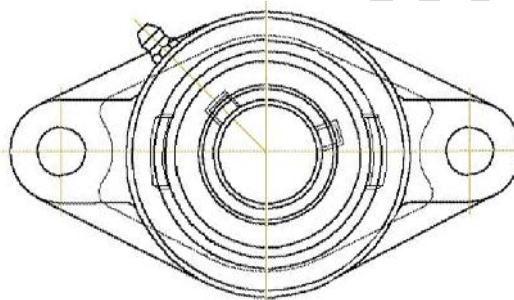
: 120° / 200°C

| | | |
|--------------------------------|------------------------|----------|
| UCF 201 BHTS ZZ C4 200° | UC 201 BHTS ZZ C4 200° | F 204 SS |
| UCF 202 BHTS ZZ C4 200° | UC 202 BHTS ZZ C4 200° | F 204 SS |
| UCF 203 BHTS ZZ C4 200° | UC 203 BHTS ZZ C4 200° | F 204 SS |
| UCF 204 BHTS ZZ C4 200° | UC 204 BHTS ZZ C4 200° | F 204 SS |
| UCF 205 BHTS ZZ C4 200° | UC 205 BHTS ZZ C4 200° | F 205 SS |
| UCF 206 BHTS ZZ C4 200° | UC 206 BHTS ZZ C4 200° | F 206 SS |
| UCF 207 BHTS ZZ C4 200° | UC 207 BHTS ZZ C4 200° | F 207 SS |
| UCF 208 BHTS ZZ C4 200° | UC 208 BHTS ZZ C4 200° | F 208 SS |
| UCF 209 BHTS ZZ C4 200° | UC 209 BHTS ZZ C4 200° | F 209 SS |
| UCF 210 BHTS ZZ C4 200° | UC 210 BHTS ZZ C4 200° | F 210 SS |
| UCF 211 BHTS ZZ C4 200° | UC 211 BHTS ZZ C4 200° | F 211 SS |
| UCF 212 BHTS ZZ C4 200° | UC 212 BHTS ZZ C4 200° | F 212 SS |
| UCF 213 BHTS ZZ C4 200° | UC 213 BHTS ZZ C4 200° | F 213 SS |
| UCF 214 BHTS ZZ C4 200° | UC 214 BHTS ZZ C4 200° | F 214 SS |
| UCF 215 BHTS ZZ C4 200° | UC 215 BHTS ZZ C4 200° | F 215 SS |

BHTS ZZ C4 200° (UCFL)



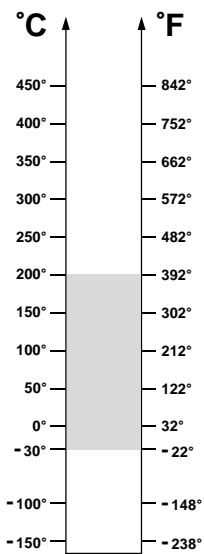
: 30° / 200°C



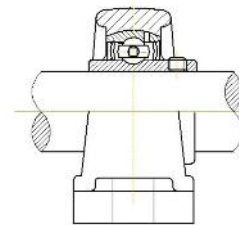
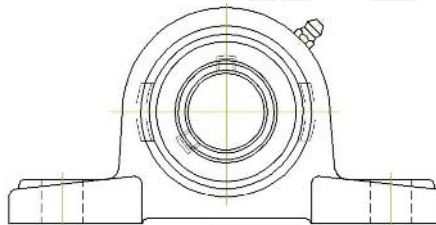
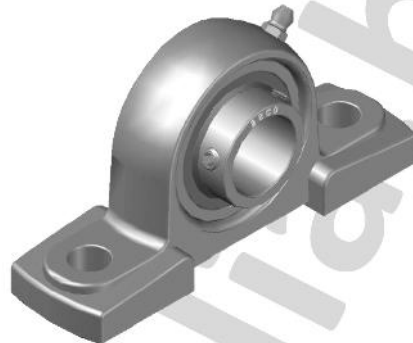
: 120° / 200°C

| | | |
|---------------------------------|------------------------|-----------|
| UCFL 201 BHTS ZZ C4 200° | UC 201 BHTS ZZ C4 200° | FL 204 SS |
| UCFL 202 BHTS ZZ C4 200° | UC 202 BHTS ZZ C4 200° | FL 204 SS |
| UCFL 203 BHTS ZZ C4 200° | UC 203 BHTS ZZ C4 200° | FL 204 SS |
| UCFL 204 BHTS ZZ C4 200° | UC 204 BHTS ZZ C4 200° | FL 204 SS |
| UCFL 205 BHTS ZZ C4 200° | UC 205 BHTS ZZ C4 200° | FL 205 SS |
| UCFL 206 BHTS ZZ C4 200° | UC 206 BHTS ZZ C4 200° | FL 206 SS |
| UCFL 207 BHTS ZZ C4 200° | UC 207 BHTS ZZ C4 200° | FL 207 SS |
| UCFL 208 BHTS ZZ C4 200° | UC 208 BHTS ZZ C4 200° | FL 208 SS |
| UCFL 209 BHTS ZZ C4 200° | UC 209 BHTS ZZ C4 200° | FL 209 SS |
| UCFL 210 BHTS ZZ C4 200° | UC 210 BHTS ZZ C4 200° | FL 210 SS |
| UCFL 211 BHTS ZZ C4 200° | UC 211 BHTS ZZ C4 200° | FL 211 SS |
| UCFL 212 BHTS ZZ C4 200° | UC 212 BHTS ZZ C4 200° | FL 212 SS |

BHTS ZZ C4 200° (UCP)



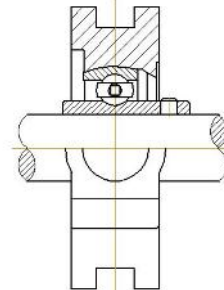
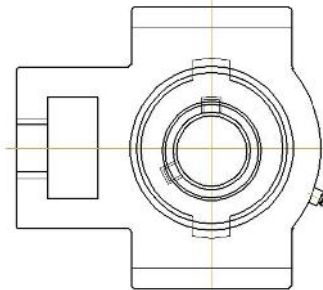
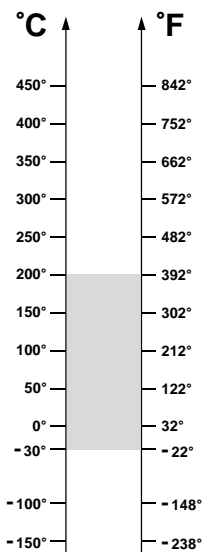
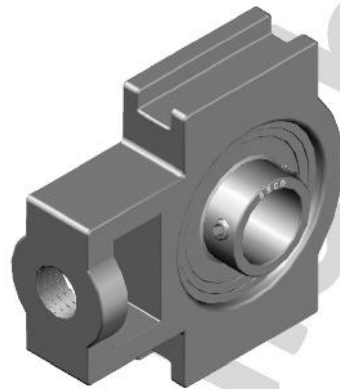
: 30° / 200°C



: 120° / 200°C

| | | |
|--------------------------------|------------------------|----------|
| UCP 201 BHTS ZZ C4 200° | UC 201 BHTS ZZ C4 200° | P 204 SS |
| UCP 202 BHTS ZZ C4 200° | UC 202 BHTS ZZ C4 200° | P 204 SS |
| UCP 203 BHTS ZZ C4 200° | UC 203 BHTS ZZ C4 200° | P 204 SS |
| UCP 204 BHTS ZZ C4 200° | UC 204 BHTS ZZ C4 200° | P 204 SS |
| UCP 205 BHTS ZZ C4 200° | UC 205 BHTS ZZ C4 200° | P 205 SS |
| UCP 206 BHTS ZZ C4 200° | UC 206 BHTS ZZ C4 200° | P 206 SS |
| UCP 207 BHTS ZZ C4 200° | UC 207 BHTS ZZ C4 200° | P 207 SS |
| UCP 208 BHTS ZZ C4 200° | UC 208 BHTS ZZ C4 200° | P 208 SS |
| UCP 209 BHTS ZZ C4 200° | UC 209 BHTS ZZ C4 200° | P 209 SS |
| UCP 210 BHTS ZZ C4 200° | UC 210 BHTS ZZ C4 200° | P 210 SS |
| UCP 211 BHTS ZZ C4 200° | UC 211 BHTS ZZ C4 200° | P 211 SS |
| UCP 212 BHTS ZZ C4 200° | UC 212 BHTS ZZ C4 200° | P 212 SS |
| UCP 213 BHTS ZZ C4 200° | UC 213 BHTS ZZ C4 200° | P 213 SS |
| UCP 214 BHTS ZZ C4 200° | UC 214 BHTS ZZ C4 200° | P 214 SS |
| UCP 215 BHTS ZZ C4 200° | UC 215 BHTS ZZ C4 200° | P 215 SS |

BHTS ZZ C4 200° (UCT)



: 30° / 200°C

: 120° / 200°C

| | | |
|--------------------------------|------------------------|----------|
| UCT 201 BHTS ZZ C4 200° | UC 201 BHTS ZZ C4 200° | T 204 SS |
| UCT 202 BHTS ZZ C4 200° | UC 202 BHTS ZZ C4 200° | T 204 SS |
| UCT 203 BHTS ZZ C4 200° | UC 203 BHTS ZZ C4 200° | T 204 SS |
| UCT 204 BHTS ZZ C4 200° | UC 204 BHTS ZZ C4 200° | T 204 SS |
| UCT 205 BHTS ZZ C4 200° | UC 205 BHTS ZZ C4 200° | T 205 SS |
| UCT 206 BHTS ZZ C4 200° | UC 206 BHTS ZZ C4 200° | T 206 SS |
| UCT 207 BHTS ZZ C4 200° | UC 207 BHTS ZZ C4 200° | T 207 SS |
| UCT 208 BHTS ZZ C4 200° | UC 208 BHTS ZZ C4 200° | T 208 SS |
| UCT 209 BHTS ZZ C4 200° | UC 209 BHTS ZZ C4 200° | T 209 SS |
| UCT 210 BHTS ZZ C4 200° | UC 210 BHTS ZZ C4 200° | T 210 SS |
| UCT 211 BHTS ZZ C4 200° | UC 211 BHTS ZZ C4 200° | T 211 SS |
| UCT 212 BHTS ZZ C4 200° | UC 212 BHTS ZZ C4 200° | T 212 SS |



BHTS 2RS C4 VT 220°

BHTS 2RS C4 VT 220°

Viton,

40° +220°

BHTS 2RS C4 VT 220°

BHTS 2RS C4 VT 220°

Viton

BHTS 2RS C4 VT 220°

Viton.

AISI 52100

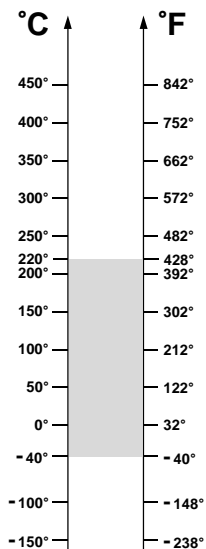
C4
2RS

Viton 220°C

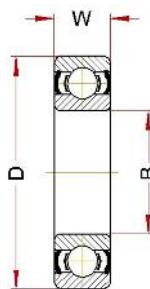
280° (PTFE(- 400°))



BHTS 2RS C4 VT 220° (6000)



: 40° / 220°C

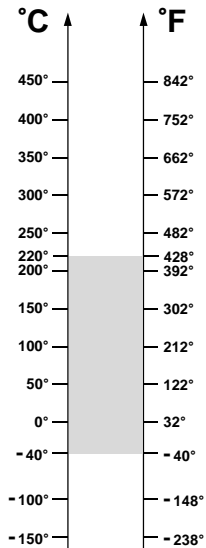


: 150° / 220°C

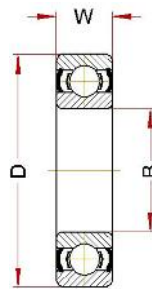


| | (B) | (D) | (W) | ' | ' / | , kN 220°C | , kN 20°C |
|--------------------------|-----|-----|-----|-----|------|---------------|--------------|
| 6000 BHTS 2RS C4 VT 220° | 10 | 26 | 8 | 20 | 4200 | 1,50 | 1,96 |
| 6001 BHTS 2RS C4 VT 220° | 12 | 28 | 8 | 25 | 4060 | 1,79 | 2,36 |
| 6002 BHTS 2RS C4 VT 220° | 15 | 32 | 9 | 30 | 3920 | 2,13 | 2,85 |
| 6003 BHTS 2RS C4 VT 220° | 17 | 35 | 10 | 40 | 3780 | 2,46 | 3,25 |
| 6004 BHTS 2RS C4 VT 220° | 20 | 42 | 12 | 69 | 3640 | 3,83 | 5,00 |
| 6005 BHTS 2RS C4 VT 220° | 25 | 47 | 12 | 80 | 3360 | 4,42 | 5,85 |
| 6006 BHTS 2RS C4 VT 220° | 30 | 55 | 13 | 120 | 3080 | 6,11 | 8,00 |
| 6007 BHTS 2RS C4 VT 220° | 35 | 62 | 14 | 160 | 2800 | 7,91 | 10,4 |
| 6008 BHTS 2RS C4 VT 220° | 40 | 68 | 15 | 190 | 2520 | 9,01 | 11,8 |
| 6009 BHTS 2RS C4 VT 220° | 45 | 75 | 16 | 250 | 2240 | 10,8 | 14,3 |
| 6010 BHTS 2RS C4 VT 220° | 50 | 80 | 16 | 260 | 1960 | 11,9 | 15,6 |
| 6011 BHTS 2RS C4 VT 220° | 55 | 90 | 18 | 390 | 1680 | 16,1 | 21,2 |
| 6012 BHTS 2RS C4 VT 220° | 60 | 95 | 18 | 420 | 1400 | 17,1 | 23,2 |
| 6013 BHTS 2RS C4 VT 220° | 65 | 100 | 18 | 440 | 1260 | 18,1 | 25,0 |
| 6014 BHTS 2RS C4 VT 220° | 70 | 110 | 20 | 600 | 1120 | 22,8 | 31,5 |
| 6015 BHTS 2RS C4 VT 220° | 75 | 115 | 20 | 640 | 980 | 24,0 | 34,0 |

BHTS 2RS C4 VT 220° (6200)



: 40° / 220°C

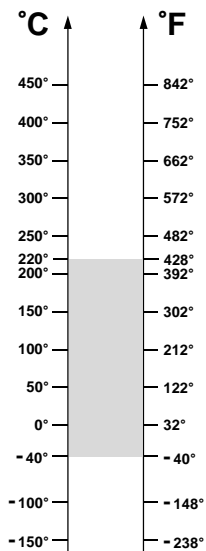


: 150° / 220°C

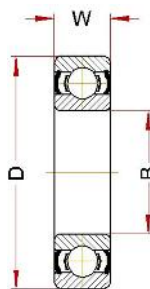


| | (B) | (D) | (W) | ' | ' / | , kN 220°C | , kN 20°C |
|--------------------------|-----|-----|-----|------|------|---------------|--------------|
| 6200 BHTS 2RS C4 VT 220° | 10 | 30 | 9 | 30 | 4060 | 1,96 | 2,60 |
| 6201 BHTS 2RS C4 VT 220° | 12 | 32 | 10 | 37 | 3920 | 2,38 | 3,10 |
| 6202 BHTS 2RS C4 VT 220° | 15 | 35 | 11 | 45 | 3780 | 2,81 | 3,75 |
| 6203 BHTS 2RS C4 VT 220° | 17 | 40 | 12 | 65 | 3640 | 3,57 | 4,75 |
| 6204 BHTS 2RS C4 VT 220° | 20 | 47 | 14 | 110 | 3360 | 5,02 | 6,55 |
| 6205 BHTS 2RS C4 VT 220° | 25 | 52 | 15 | 130 | 3080 | 6,12 | 8,00 |
| 6206 BHTS 2RS C4 VT 220° | 30 | 62 | 16 | 200 | 2800 | 8,50 | 11,2 |
| 6207 BHTS 2RS C4 VT 220° | 35 | 72 | 17 | 290 | 2520 | 11,6 | 15,3 |
| 6208 BHTS 2RS C4 VT 220° | 40 | 80 | 18 | 370 | 2240 | 13,7 | 18,0 |
| 6209 BHTS 2RS C4 VT 220° | 45 | 85 | 19 | 410 | 1960 | 15,5 | 20,4 |
| 6210 BHTS 2RS C4 VT 220° | 50 | 90 | 20 | 460 | 1680 | 18,3 | 24,0 |
| 6211 BHTS 2RS C4 VT 220° | 55 | 100 | 21 | 610 | 1400 | 22,1 | 29,0 |
| 6212 BHTS 2RS C4 VT 220° | 60 | 110 | 22 | 780 | 1260 | 27,5 | 36,0 |
| 6213 BHTS 2RS C4 VT 220° | 65 | 120 | 23 | 990 | 1120 | 31,7 | 41,5 |
| 6214 BHTS 2RS C4 VT 220° | 70 | 125 | 24 | 1040 | 980 | 33,6 | 44,0 |
| 6215 BHTS 2RS C4 VT 220° | 75 | 130 | 25 | 1210 | 840 | 37,4 | 49,0 |

BHTS 2RS C4 VT 220° (6300)



: 40° / 220°C



: 150° / 220°C



| | (B) | (D) | (W) | ' | ' / | , kN 220°C | , kN 20°C |
|---------------------------------|-----|-----|-----|------|------|---------------|--------------|
| 6300 BHTS 2RS C4 VT 220° | 10 | 35 | 11 | 52 | 3920 | 2,64 | 3,45 |
| 6301 BHTS 2RS C4 VT 220° | 12 | 37 | 12 | 60 | 3780 | 3,15 | 4,15 |
| 6302 BHTS 2RS C4 VT 220° | 15 | 42 | 13 | 80 | 3640 | 4,08 | 5,40 |
| 6303 BHTS 2RS C4 VT 220° | 17 | 47 | 14 | 120 | 3360 | 4,93 | 6,55 |
| 6304 BHTS 2RS C4 VT 220° | 20 | 52 | 15 | 140 | 3080 | 6,40 | 8,50 |
| 6305 BHTS 2RS C4 VT 220° | 25 | 62 | 17 | 225 | 2800 | 8,67 | 11,4 |
| 6306 BHTS 2RS C4 VT 220° | 30 | 72 | 19 | 350 | 2520 | 12,5 | 16,3 |
| 6307 BHTS 2RS C4 VT 220° | 35 | 80 | 21 | 450 | 2240 | 14,5 | 19,0 |
| 6308 BHTS 2RS C4 VT 220° | 40 | 90 | 23 | 620 | 1960 | 19,1 | 25,0 |
| 6309 BHTS 2RS C4 VT 220° | 45 | 100 | 25 | 830 | 1680 | 24,5 | 32,0 |
| 6310 BHTS 2RS C4 VT 220° | 50 | 110 | 27 | 1050 | 1400 | 29,1 | 38,0 |
| 6311 BHTS 2RS C4 VT 220° | 55 | 120 | 29 | 1350 | 1260 | 36,3 | 47,5 |
| 6312 BHTS 2RS C4 VT 220° | 60 | 130 | 31 | 1700 | 1120 | 39,8 | 52,0 |
| 6313 BHTS 2RS C4 VT 220° | 65 | 140 | 33 | 2100 | 980 | 45,9 | 60,0 |
| 6314 BHTS 2RS C4 VT 220° | 70 | 150 | 35 | 2500 | 840 | 52,0 | 68,0 |
| 6315 BHTS 2RS C4 VT 220° | 75 | 160 | 37 | 3000 | 700 | 58,5 | 76,5 |



BHTS ZZ C4 220°-250°

BHTS ZZ C4 220°-250°

40° +220° +250° ZZ

BHTS ZZ C4 220°-250°

BHTS ZZ C4 220°-250°

C4 VT 220°

BHTS ZZ C4 220°-250°
ZZ

250°C,
BHTS 2RS

Viton.

AISI 52100

C4

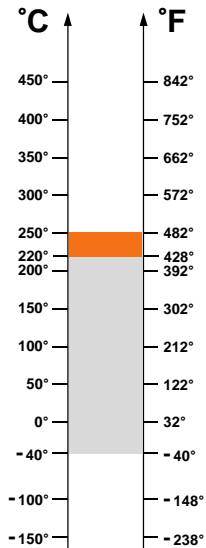
ZZ

280° (

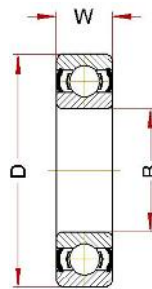
PTFE(-)
400°)



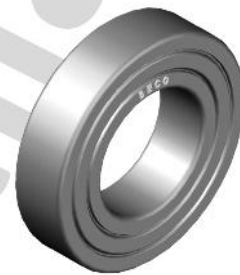
BHTS ZZ C4 220°-250° (6000)



: 40° / 220°C



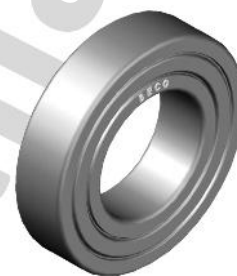
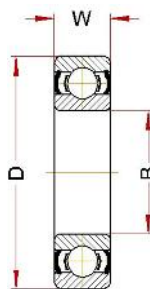
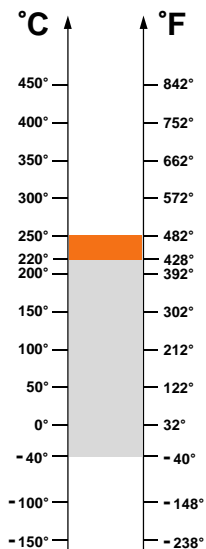
: 150° / 220°C



: 220° / 250°C

| | (B) | (D) | (W) | ' | ' / | , kN 250°C | , kN 20°C |
|---------------------------|-----|-----|-----|-----|------|---------------|--------------|
| 6000 BHTS ZZ C4 220°-250° | 10 | 26 | 8 | 20 | 4200 | 1,50 | 1,96 |
| 6001 BHTS ZZ C4 220°-250° | 12 | 28 | 8 | 25 | 4060 | 1,79 | 2,36 |
| 6002 BHTS ZZ C4 220°-250° | 15 | 32 | 9 | 30 | 3920 | 2,13 | 2,85 |
| 6003 BHTS ZZ C4 220°-250° | 17 | 35 | 10 | 40 | 3780 | 2,46 | 3,25 |
| 6004 BHTS ZZ C4 220°-250° | 20 | 42 | 12 | 69 | 3640 | 3,83 | 5,00 |
| 6005 BHTS ZZ C4 220°-250° | 25 | 47 | 12 | 80 | 3360 | 4,42 | 5,85 |
| 6006 BHTS ZZ C4 220°-250° | 30 | 55 | 13 | 120 | 3080 | 6,12 | 8,00 |
| 6007 BHTS ZZ C4 220°-250° | 35 | 62 | 14 | 160 | 2800 | 7,91 | 10,4 |
| 6008 BHTS ZZ C4 220°-250° | 40 | 68 | 15 | 190 | 2520 | 9,01 | 11,8 |
| 6009 BHTS ZZ C4 220°-250° | 45 | 75 | 16 | 250 | 2240 | 10,8 | 14,3 |
| 6010 BHTS ZZ C4 220°-250° | 50 | 80 | 16 | 260 | 1960 | 11,9 | 15,6 |
| 6011 BHTS ZZ C4 220°-250° | 55 | 90 | 18 | 390 | 1680 | 16,1 | 21,2 |
| 6012 BHTS ZZ C4 220°-250° | 60 | 95 | 18 | 420 | 1400 | 17,1 | 23,2 |
| 6013 BHTS ZZ C4 220°-250° | 65 | 100 | 18 | 440 | 1260 | 19,1 | 25,0 |
| 6014 BHTS ZZ C4 220°-250° | 70 | 110 | 20 | 600 | 1120 | 22,8 | 31,5 |
| 6015 BHTS ZZ C4 220°-250° | 75 | 115 | 20 | 640 | 980 | 24,0 | 34,0 |

BHTS ZZ C4 220°-250° (6200)



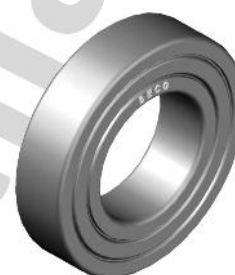
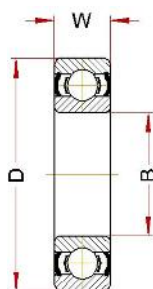
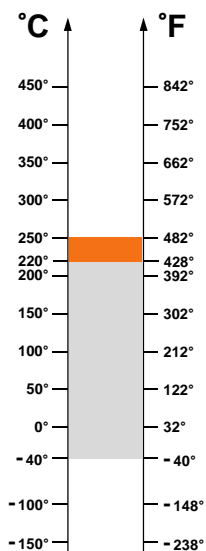
: 40° / 220°C

: 150° / 220°C

: 220° / 250°C

| | (B) | (D) | (W) | ' | ' / | , kN 250°C | , kN 20°C |
|---------------------------|-----|-----|-----|------|------|---------------|--------------|
| 6200 BHTS ZZ C4 220°-250° | 10 | 30 | 9 | 30 | 4060 | 1,96 | 2,60 |
| 6201 BHTS ZZ C4 220°-250° | 12 | 32 | 10 | 37 | 3920 | 2,38 | 3,10 |
| 6202 BHTS ZZ C4 220°-250° | 15 | 35 | 11 | 48 | 3780 | 2,81 | 3,75 |
| 6203 BHTS ZZ C4 220°-250° | 17 | 40 | 12 | 65 | 3640 | 3,57 | 4,75 |
| 6204 BHTS ZZ C4 220°-250° | 20 | 47 | 14 | 110 | 3360 | 5,02 | 6,55 |
| 6205 BHTS ZZ C4 220°-250° | 25 | 52 | 15 | 130 | 3080 | 6,12 | 8,00 |
| 6206 BHTS ZZ C4 220°-250° | 30 | 62 | 16 | 200 | 2800 | 8,50 | 11,2 |
| 6207 BHTS ZZ C4 220°-250° | 35 | 72 | 17 | 290 | 2520 | 11,65 | 15,3 |
| 6208 BHTS ZZ C4 220°-250° | 40 | 80 | 18 | 370 | 2240 | 13,77 | 18,0 |
| 6209 BHTS ZZ C4 220°-250° | 45 | 85 | 19 | 410 | 1960 | 15,56 | 20,4 |
| 6210 BHTS ZZ C4 220°-250° | 50 | 90 | 20 | 460 | 1680 | 18,36 | 24,0 |
| 6211 BHTS ZZ C4 220°-250° | 55 | 100 | 21 | 610 | 1400 | 22,19 | 29,0 |
| 6212 BHTS ZZ C4 220°-250° | 60 | 110 | 22 | 780 | 1260 | 27,34 | 36,0 |
| 6213 BHTS ZZ C4 220°-250° | 65 | 120 | 23 | 990 | 1120 | 31,71 | 41,5 |
| 6214 BHTS ZZ C4 220°-250° | 70 | 125 | 24 | 1040 | 980 | 33,66 | 44,0 |
| 6215 BHTS ZZ C4 220°-250° | 75 | 130 | 25 | 1210 | 840 | 37,49 | 49,0 |

BHTS ZZ C4 220°-250° (6300)



: 40° / 220°C

: 150° / 220°C

: 220° / 250°C

| | (B) | (D) | (W) | ' | ' / | , kN 250°C | , kN 20°C |
|---------------------------|-----|-----|-----|------|------|---------------|--------------|
| 6300 BHTS ZZ C4 220°-250° | 10 | 35 | 11 | 52 | 3920 | 2,64 | 3,45 |
| 6301 BHTS ZZ C4 220°-250° | 12 | 37 | 12 | 60 | 3780 | 3,15 | 4,15 |
| 6302 BHTS ZZ C4 220°-250° | 15 | 42 | 13 | 80 | 3640 | 4,08 | 5,40 |
| 6303 BHTS ZZ C4 220°-250° | 17 | 47 | 14 | 120 | 3360 | 4,93 | 6,55 |
| 6304 BHTS ZZ C4 220°-250° | 20 | 52 | 15 | 140 | 3080 | 6,40 | 8,50 |
| 6305 BHTS ZZ C4 220°-250° | 25 | 62 | 17 | 225 | 2800 | 8,67 | 11,4 |
| 6306 BHTS ZZ C4 220°-250° | 30 | 72 | 19 | 350 | 2520 | 12,4 | 16,3 |
| 6307 BHTS ZZ C4 220°-250° | 35 | 80 | 21 | 450 | 2240 | 14,5 | 19,0 |
| 6308 BHTS ZZ C4 220°-250° | 40 | 90 | 23 | 620 | 1960 | 19,1 | 25,0 |
| 6309 BHTS ZZ C4 220°-250° | 45 | 100 | 25 | 830 | 1680 | 24,3 | 32,0 |
| 6310 BHTS ZZ C4 220°-250° | 50 | 110 | 27 | 1050 | 1400 | 29,1 | 38,0 |
| 6311 BHTS ZZ C4 220°-250° | 55 | 120 | 29 | 1350 | 1260 | 36,3 | 47,5 |
| 6312 BHTS ZZ C4 220°-250° | 60 | 130 | 31 | 1700 | 1120 | 39,8 | 52,0 |
| 6313 BHTS ZZ C4 220°-250° | 65 | 140 | 33 | 2100 | 980 | 45,9 | 60,0 |
| 6314 BHTS ZZ C4 220°-250° | 70 | 150 | 35 | 2500 | 840 | 52,0 | 68,0 |
| 6315 BHTS ZZ C4 220°-250° | 75 | 160 | 37 | 3000 | 700 | 58,5 | 76,5 |



BHTS 2RS VT 250°-280°

BHTS 2RS VT 250°-280°

Viton,

250°-280°

180°

40°

+250°

+280°

280°
250°

Viton

, 180°-250°C.

220°

BHTS 2RS C4 VT 220°

BHTS 2RS VT 250°-280°

BHTS ZZ 280°

Viton

BHTS 2RS VT 250°-280°

Viton.

AISI 52100

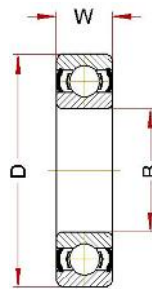
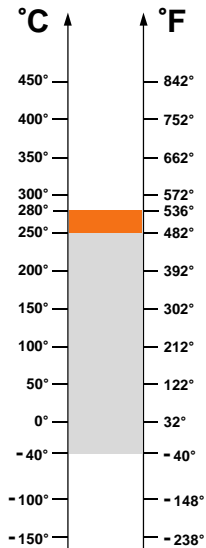
4xC5
2RS Viton

280° (

PTFE(-)
400°)



BHTS 2RS VT 250°-280° (6000)



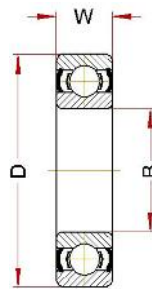
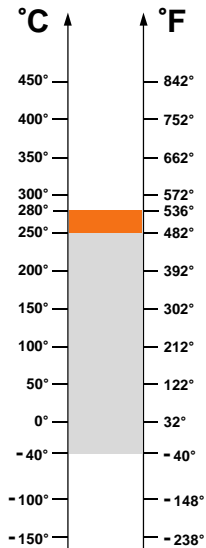
: 40° / 250°C

: 180° / 250°C

: 250° / 280°C

| | (B) | (D) | (W) | ' | ' / | , kN 280°C | , kN 20°C |
|----------------------------|-----|-----|-----|-----|------|---------------|--------------|
| 6000 BHTS 2RS VT 250°-280° | 10 | 26 | 8 | 20 | 2240 | 1,40 | 1,96 |
| 6001 BHTS 2RS VT 250°-280° | 12 | 28 | 8 | 25 | 2080 | 1,69 | 2,36 |
| 6002 BHTS 2RS VT 250°-280° | 15 | 32 | 9 | 30 | 1920 | 2,04 | 2,85 |
| 6003 BHTS 2RS VT 250°-280° | 17 | 35 | 10 | 40 | 1760 | 2,33 | 3,25 |
| 6004 BHTS 2RS VT 250°-280° | 20 | 42 | 12 | 69 | 1600 | 3,58 | 5,00 |
| 6005 BHTS 2RS VT 250°-280° | 25 | 47 | 12 | 80 | 1360 | 4,18 | 5,85 |
| 6006 BHTS 2RS VT 250°-280° | 30 | 55 | 13 | 120 | 1040 | 5,72 | 8,00 |
| 6007 BHTS 2RS VT 250°-280° | 35 | 62 | 14 | 160 | 880 | 7,43 | 10,4 |
| 6008 BHTS 2RS VT 250°-280° | 40 | 68 | 15 | 190 | 800 | 8,43 | 11,8 |
| 6009 BHTS 2RS VT 250°-280° | 45 | 75 | 16 | 250 | 720 | 10,22 | 14,3 |
| 6010 BHTS 2RS VT 250°-280° | 50 | 80 | 16 | 260 | 680 | 11,14 | 15,6 |
| 6011 BHTS 2RS VT 250°-280° | 55 | 90 | 18 | 390 | 600 | 15,14 | 21,2 |
| 6012 BHTS 2RS VT 250°-280° | 60 | 95 | 18 | 420 | 560 | 16,57 | 23,2 |
| 6013 BHTS 2RS VT 250°-280° | 65 | 100 | 18 | 440 | 504 | 17,86 | 25,0 |
| 6014 BHTS 2RS VT 250°-280° | 70 | 110 | 20 | 600 | 480 | 22,50 | 31,5 |

BHTS 2RS VT 250°-280° (6200)



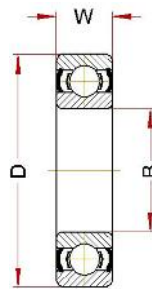
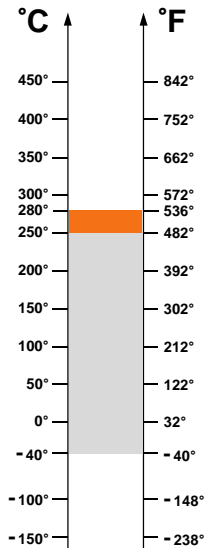
: 40° / 250°C

: 180° / 250°C

: 250° / 280°C

| | (B) | (D) | (W) | ' | ' / | , kN 280°C | , kN 20°C |
|----------------------------|-----|-----|-----|------|------|---------------|--------------|
| 6200 BHTS 2RS VT 250°-280° | 10 | 30 | 9 | 30 | 2080 | 1,86 | 2,60 |
| 6201 BHTS 2RS VT 250°-280° | 12 | 32 | 10 | 37 | 1920 | 2,22 | 3,10 |
| 6202 BHTS 2RS VT 250°-280° | 15 | 35 | 11 | 45 | 1600 | 2,68 | 3,75 |
| 6203 BHTS 2RS VT 250°-280° | 17 | 40 | 12 | 65 | 1440 | 3,39 | 4,75 |
| 6204 BHTS 2RS VT 250°-280° | 20 | 47 | 14 | 110 | 1200 | 4,68 | 6,55 |
| 6205 BHTS 2RS VT 250°-280° | 25 | 52 | 15 | 130 | 1120 | 5,71 | 8,00 |
| 6206 BHTS 2RS VT 250°-280° | 30 | 62 | 16 | 200 | 880 | 8,00 | 11,2 |
| 6207 BHTS 2RS VT 250°-280° | 35 | 72 | 17 | 290 | 760 | 10,93 | 15,3 |
| 6208 BHTS 2RS VT 250°-280° | 40 | 80 | 18 | 370 | 680 | 12,86 | 18,0 |
| 6209 BHTS 2RS VT 250°-280° | 45 | 85 | 19 | 410 | 640 | 14,57 | 20,4 |
| 6210 BHTS 2RS VT 250°-280° | 50 | 90 | 20 | 460 | 600 | 17,14 | 24,0 |
| 6211 BHTS 2RS VT 250°-280° | 55 | 100 | 21 | 610 | 536 | 20,71 | 29,0 |
| 6212 BHTS 2RS VT 250°-280° | 60 | 110 | 22 | 780 | 480 | 25,71 | 36,0 |
| 6213 BHTS 2RS VT 250°-280° | 65 | 120 | 23 | 990 | 424 | 29,64 | 41,5 |
| 6214 BHTS 2RS VT 250°-280° | 70 | 125 | 24 | 1040 | 400 | 31,43 | 44,0 |

BHTS 2RS VT 250°-280° (6300)



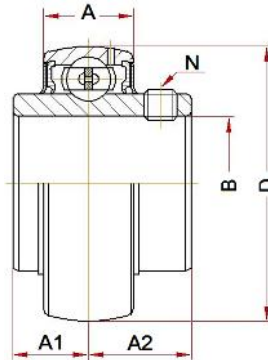
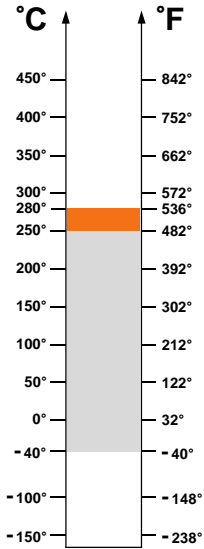
: 40° / 250°C

: 180° / 250°C

: 250° / 280°C

| | (B) | (D) | (W) | ' | / | , kN 280°C | , kN 20°C |
|----------------------------|-----|-----|-----|------|------|---------------|--------------|
| 6300 BHTS 2RS VT 250°-280° | 10 | 35 | 11 | 52 | 1760 | 2,46 | 3,45 |
| 6301 BHTS 2RS VT 250°-280° | 12 | 37 | 12 | 60 | 1600 | 2,96 | 4,15 |
| 6302 BHTS 2RS VT 250°-280° | 15 | 42 | 13 | 80 | 1440 | 3,86 | 5,40 |
| 6303 BHTS 2RS VT 250°-280° | 17 | 47 | 14 | 120 | 1280 | 4,68 | 6,55 |
| 6304 BHTS 2RS VT 250°-280° | 20 | 52 | 15 | 140 | 1120 | 6,07 | 8,50 |
| 6305 BHTS 2RS VT 250°-280° | 25 | 62 | 17 | 225 | 880 | 8,14 | 11,4 |
| 6306 BHTS 2RS VT 250°-280° | 30 | 72 | 19 | 350 | 760 | 11,64 | 16,3 |
| 6307 BHTS 2RS VT 250°-280° | 35 | 80 | 21 | 450 | 680 | 13,57 | 19,0 |
| 6308 BHTS 2RS VT 250°-280° | 40 | 90 | 23 | 620 | 600 | 17,86 | 25,0 |
| 6309 BHTS 2RS VT 250°-280° | 45 | 100 | 25 | 830 | 536 | 22,86 | 32,0 |
| 6310 BHTS 2RS VT 250°-280° | 50 | 110 | 27 | 1050 | 480 | 27,14 | 38,0 |
| 6311 BHTS 2RS VT 250°-280° | 55 | 120 | 29 | 1350 | 424 | 33,93 | 47,5 |
| 6312 BHTS 2RS VT 250°-280° | 60 | 130 | 31 | 1700 | 400 | 37,14 | 52,0 |
| 6313 BHTS 2RS VT 250°-280° | 65 | 140 | 33 | 2100 | 360 | 42,86 | 60,0 |
| 6314 BHTS 2RS VT 250°-280° | 70 | 150 | 35 | 2500 | 344 | 32,86 | 68,0 |
| 6315 BHTS 2RS VT 250°-280° | 75 | 160 | 37 | 3000 | 320 | 54,64 | 76,5 |

BHTS 2RS VT 250°-280° (UC)



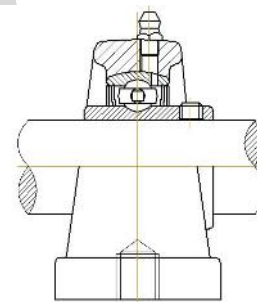
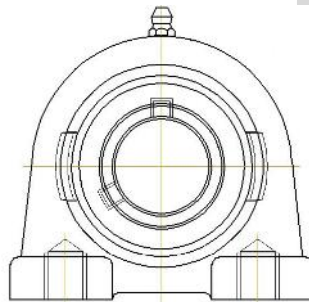
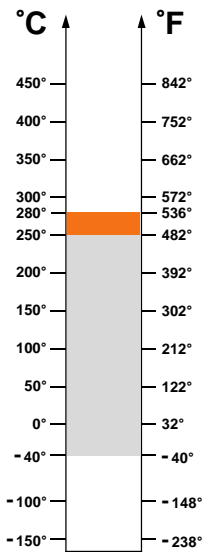
: 40° / 250°C

: 180° / 250°C

: 250° / 280°C

| | (B) | (D) | A | A1 | A2 | N | | / | , kN 280°C | , kN 20°C |
|------------------------------|-----|-----|--------|------|------|----------|------|------|---------------|--------------|
| UC 201 BHTS 2RS VT 250°-280° | 12 | 47 | 13 ± 2 | 11,5 | 15,9 | M6x0,75 | 200 | 1440 | 4,72 | 6,6 |
| UC 202 BHTS 2RS VT 250°-280° | 15 | 47 | 13 ± 2 | 11,5 | 15,9 | M6x0,75 | 200 | 1440 | 4,72 | 6,6 |
| UC 203 BHTS 2RS VT 250°-280° | 17 | 47 | 13 ± 2 | 11,5 | 15,9 | M6x0,75 | 200 | 1440 | 4,72 | 6,6 |
| UC 204 BHTS 2RS VT 250°-280° | 20 | 47 | 15 ± 2 | 12,7 | 18,3 | M6x0,75 | 250 | 1200 | 4,72 | 6,6 |
| UC 205 BHTS 2RS VT 250°-280° | 25 | 52 | 16 ± 1 | 14,3 | 19,8 | M6x0,75 | 300 | 1120 | 5,58 | 7,8 |
| UC 206 BHTS 2RS VT 250°-280° | 30 | 62 | 17 ± 2 | 15,9 | 22,2 | M6x0,75 | 350 | 880 | 8,00 | 11,2 |
| UC 207 BHTS 2RS VT 250°-280° | 35 | 72 | 18 ± 2 | 17,5 | 25,4 | M8x1,00 | 500 | 760 | 10,7 | 15,1 |
| UC 208 BHTS 2RS VT 250°-280° | 40 | 80 | 19 ± 2 | 19,0 | 30,2 | M8x1,00 | 700 | 680 | 13,0 | 18,2 |
| UC 209 BHTS 2RS VT 250°-280° | 45 | 85 | 20 ± 2 | 19,0 | 30,2 | M8x1,00 | 800 | 640 | 14,7 | 20,6 |
| UC 210 BHTS 2RS VT 250°-280° | 50 | 90 | 22 ± 2 | 19,0 | 32,6 | M10x1,25 | 900 | 600 | 16,5 | 23,1 |
| UC 211 BHTS 2RS VT 250°-280° | 55 | 100 | 23 ± 2 | 22,2 | 33,4 | M10x1,25 | 1300 | 536 | 20,7 | 29,0 |
| UC 212 BHTS 2RS VT 250°-280° | 60 | 110 | 24 ± 3 | 25,4 | 39,7 | M10x1,25 | 1700 | 480 | 25,3 | 32,6 |
| UC 213 BHTS 2RS VT 250°-280° | 65 | 120 | 27 ± 5 | 25,4 | 39,7 | M10x1,25 | 1900 | 424 | 28,4 | 39,8 |
| UC 214 BHTS 2RS VT 250°-280° | 70 | 125 | 28 ± 5 | 30,2 | 44,4 | M12x1,50 | 2100 | 400 | 31,9 | 44,7 |
| UC 215 BHTS 2RS VT 250°-280° | 75 | 130 | 29 ± 5 | 33,3 | 44,5 | M12x1,50 | 2200 | 384 | 35,1 | 49,2 |

BHTS 2RS VT 250°-280° (UCPA)



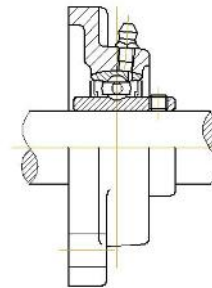
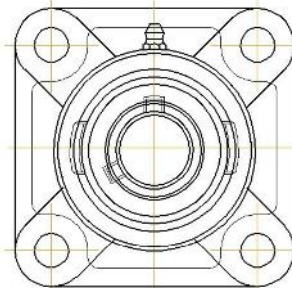
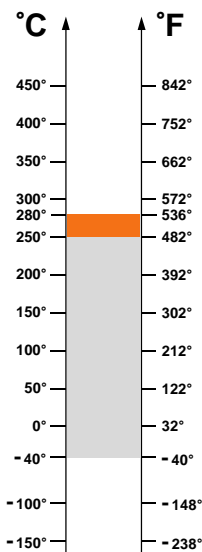
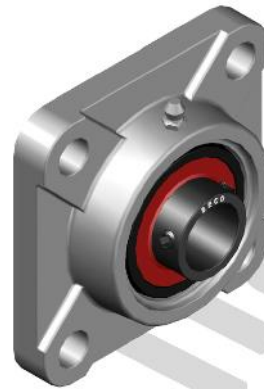
: 40° / 250°C

: 180° / 250°C

: 250° / 280°C

| | | |
|---------------------------------------|------------------------------|-----------|
| UCPA 201 BHTS 2RS VT 250°-280° | UC 201 BHTS 2RS VT 250°-280° | PA 204 SS |
| UCPA 202 BHTS 2RS VT 250°-280° | UC 202 BHTS 2RS VT 250°-280° | PA 204 SS |
| UCPA 203 BHTS 2RS VT 250°-280° | UC 203 BHTS 2RS VT 250°-280° | PA 204 SS |
| UCPA 204 BHTS 2RS VT 250°-280° | UC 204 BHTS 2RS VT 250°-280° | PA 204 SS |
| UCPA 205 BHTS 2RS VT 250°-280° | UC 205 BHTS 2RS VT 250°-280° | PA 205 SS |
| UCPA 206 BHTS 2RS VT 250°-280° | UC 206 BHTS 2RS VT 250°-280° | PA 206 SS |
| UCPA 207 BHTS 2RS VT 250°-280° | UC 207 BHTS 2RS VT 250°-280° | PA 207 SS |
| UCPA 208 BHTS 2RS VT 250°-280° | UC 208 BHTS 2RS VT 250°-280° | PA 208 SS |
| UCPA 209 BHTS 2RS VT 250°-280° | UC 209 BHTS 2RS VT 250°-280° | PA 209 SS |
| UCPA 210 BHTS 2RS VT 250°-280° | UC 210 BHTS 2RS VT 250°-280° | PA 210 SS |

BHTS 2RS VT 250°-280° (UCF)



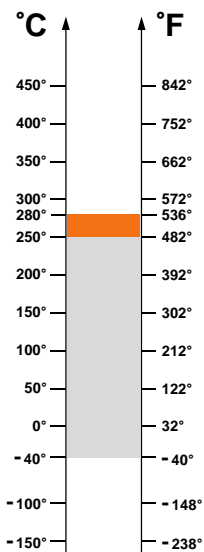
: 40° / 250°C

: 180° / 250°C

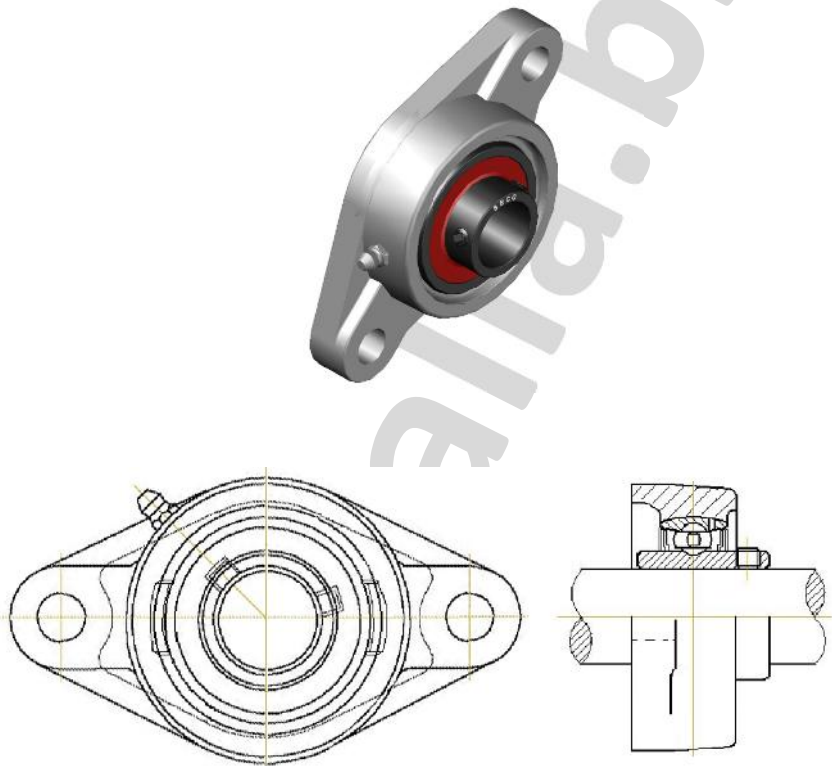
: 250° / 280°C

| | | |
|--------------------------------------|------------------------------|----------|
| UCF 201 BHTS 2RS VT 250°-280° | UC 201 BHTS 2RS VT 250°-280° | F 204 SS |
| UCF 202 BHTS 2RS VT 250°-280° | UC 202 BHTS 2RS VT 250°-280° | F 204 SS |
| UCF 203 BHTS 2RS VT 250°-280° | UC 203 BHTS 2RS VT 250°-280° | F 204 SS |
| UCF 204 BHTS 2RS VT 250°-280° | UC 204 BHTS 2RS VT 250°-280° | F 204 SS |
| UCF 205 BHTS 2RS VT 250°-280° | UC 205 BHTS 2RS VT 250°-280° | F 205 SS |
| UCF 206 BHTS 2RS VT 250°-280° | UC 206 BHTS 2RS VT 250°-280° | F 206 SS |
| UCF 207 BHTS 2RS VT 250°-280° | UC 207 BHTS 2RS VT 250°-280° | F 207 SS |
| UCF 208 BHTS 2RS VT 250°-280° | UC 208 BHTS 2RS VT 250°-280° | F 208 SS |
| UCF 209 BHTS 2RS VT 250°-280° | UC 209 BHTS 2RS VT 250°-280° | F 209 SS |
| UCF 210 BHTS 2RS VT 250°-280° | UC 210 BHTS 2RS VT 250°-280° | F 210 SS |
| UCF 211 BHTS 2RS VT 250°-280° | UC 211 BHTS 2RS VT 250°-280° | F 211 SS |
| UCF 212 BHTS 2RS VT 250°-280° | UC 212 BHTS 2RS VT 250°-280° | F 212 SS |
| UCF 213 BHTS 2RS VT 250°-280° | UC 213 BHTS 2RS VT 250°-280° | F 213 SS |
| UCF 214 BHTS 2RS VT 250°-280° | UC 214 BHTS 2RS VT 250°-280° | F 214 SS |
| UCF 215 BHTS 2RS VT 250°-280° | UC 215 BHTS 2RS VT 250°-280° | F 215 SS |

BHTS 2RS VT 250°-280° (UCFL)



: 40° / 250°C

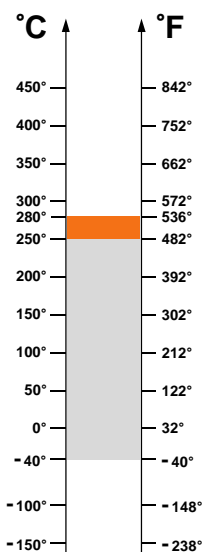


: 180° / 250°C

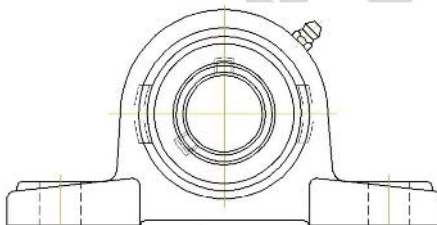
: 250° / 280°C

| | | |
|---------------------------------------|------------------------------|-----------|
| UCFL 201 BHTS 2RS VT 250°-280° | UC 201 BHTS 2RS VT 250°-280° | FL 204 SS |
| UCFL 202 BHTS 2RS VT 250°-280° | UC 202 BHTS 2RS VT 250°-280° | FL 204 SS |
| UCFL 203 BHTS 2RS VT 250°-280° | UC 203 BHTS 2RS VT 250°-280° | FL 204 SS |
| UCFL 204 BHTS 2RS VT 250°-280° | UC 204 BHTS 2RS VT 250°-280° | FL 204 SS |
| UCFL 205 BHTS 2RS VT 250°-280° | UC 205 BHTS 2RS VT 250°-280° | FL 205 SS |
| UCFL 206 BHTS 2RS VT 250°-280° | UC 206 BHTS 2RS VT 250°-280° | FL 206 SS |
| UCFL 207 BHTS 2RS VT 250°-280° | UC 207 BHTS 2RS VT 250°-280° | FL 207 SS |
| UCFL 208 BHTS 2RS VT 250°-280° | UC 208 BHTS 2RS VT 250°-280° | FL 208 SS |
| UCFL 209 BHTS 2RS VT 250°-280° | UC 209 BHTS 2RS VT 250°-280° | FL 209 SS |
| UCFL 210 BHTS 2RS VT 250°-280° | UC 210 BHTS 2RS VT 250°-280° | FL 210 SS |
| UCFL 211 BHTS 2RS VT 250°-280° | UC 211 BHTS 2RS VT 250°-280° | FL 211 SS |
| UCFL 212 BHTS 2RS VT 250°-280° | UC 212 BHTS 2RS VT 250°-280° | FL 212 SS |

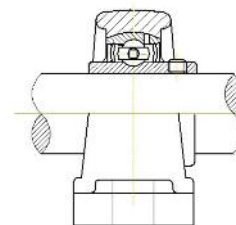
BHTS 2RS VT 250°-280° (UCP)



: 40° / 250°C



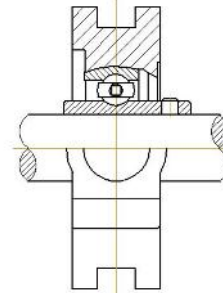
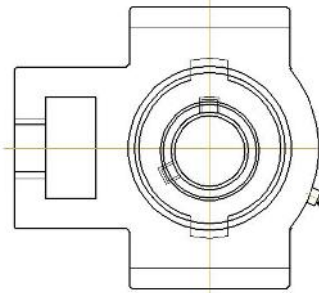
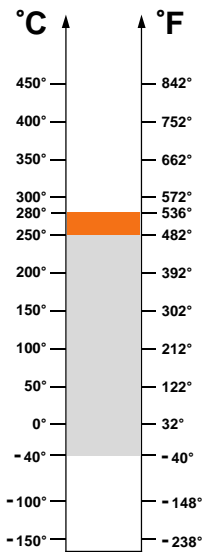
: 180° / 250°C



: 250° / 280°C

| | | |
|--------------------------------------|------------------------------|----------|
| UCP 201 BHTS 2RS VT 250°-280° | UC 201 BHTS 2RS VT 250°-280° | P 204 SS |
| UCP 202 BHTS 2RS VT 250°-280° | UC 202 BHTS 2RS VT 250°-280° | P 204 SS |
| UCP 203 BHTS 2RS VT 250°-280° | UC 203 BHTS 2RS VT 250°-280° | P 204 SS |
| UCP 204 BHTS 2RS VT 250°-280° | UC 204 BHTS 2RS VT 250°-280° | P 204 SS |
| UCP 205 BHTS 2RS VT 250°-280° | UC 205 BHTS 2RS VT 250°-280° | P 205 SS |
| UCP 206 BHTS 2RS VT 250°-280° | UC 206 BHTS 2RS VT 250°-280° | P 206 SS |
| UCP 207 BHTS 2RS VT 250°-280° | UC 207 BHTS 2RS VT 250°-280° | P 207 SS |
| UCP 208 BHTS 2RS VT 250°-280° | UC 208 BHTS 2RS VT 250°-280° | P 208 SS |
| UCP 209 BHTS 2RS VT 250°-280° | UC 209 BHTS 2RS VT 250°-280° | P 209 SS |
| UCP 210 BHTS 2RS VT 250°-280° | UC 210 BHTS 2RS VT 250°-280° | P 210 SS |
| UCP 211 BHTS 2RS VT 250°-280° | UC 211 BHTS 2RS VT 250°-280° | P 211 SS |
| UCP 212 BHTS 2RS VT 250°-280° | UC 212 BHTS 2RS VT 250°-280° | P 212 SS |
| UCP 213 BHTS 2RS VT 250°-280° | UC 213 BHTS 2RS VT 250°-280° | P 213 SS |
| UCP 214 BHTS 2RS VT 250°-280° | UC 214 BHTS 2RS VT 250°-280° | P 214 SS |
| UCP 215 BHTS 2RS VT 250°-280° | UC 215 BHTS 2RS VT 250°-280° | P 215 SS |

BHTS 2RS VT 250°-280° (UCT)



: 40° / 250°C

: 180° / 250°C

: 250° / 280°C

| | | |
|--------------------------------------|------------------------------|----------|
| UCT 201 BHTS 2RS VT 250°-280° | UC 201 BHTS 2RS VT 250°-280° | T 204 SS |
| UCT 202 BHTS 2RS VT 250°-280° | UC 202 BHTS 2RS VT 250°-280° | T 204 SS |
| UCT 203 BHTS 2RS VT 250°-280° | UC 203 BHTS 2RS VT 250°-280° | T 204 SS |
| UCT 204 BHTS 2RS VT 250°-280° | UC 204 BHTS 2RS VT 250°-280° | T 204 SS |
| UCT 205 BHTS 2RS VT 250°-280° | UC 205 BHTS 2RS VT 250°-280° | T 205 SS |
| UCT 206 BHTS 2RS VT 250°-280° | UC 206 BHTS 2RS VT 250°-280° | T 206 SS |
| UCT 207 BHTS 2RS VT 250°-280° | UC 207 BHTS 2RS VT 250°-280° | T 207 SS |
| UCT 208 BHTS 2RS VT 250°-280° | UC 208 BHTS 2RS VT 250°-280° | T 208 SS |
| UCT 209 BHTS 2RS VT 250°-280° | UC 209 BHTS 2RS VT 250°-280° | T 209 SS |
| UCT 210 BHTS 2RS VT 250°-280° | UC 210 BHTS 2RS VT 250°-280° | T 210 SS |
| UCT 211 BHTS 2RS VT 250°-280° | UC 211 BHTS 2RS VT 250°-280° | T 211 SS |
| UCT 212 BHTS 2RS VT 250°-280° | UC 212 BHTS 2RS VT 250°-280° | T 212 SS |



BHTS ZZ 280°

BHTS ZZ 280°

220° , 200° 280° , BHTS ZZ C4 220°-250° , BHTS ZZ 280° 400

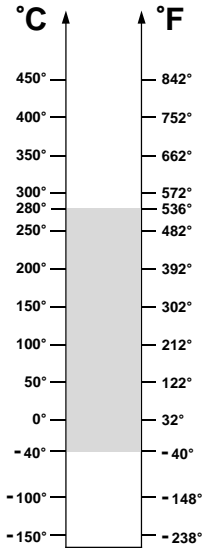
40° +280° . ZZ

AISI 52100

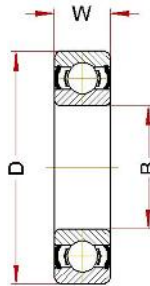
ZZ 4xC5 PTFE(-) 280° (400°)



BHTS ZZ 280° (MICRO)



: 40° / 280°C

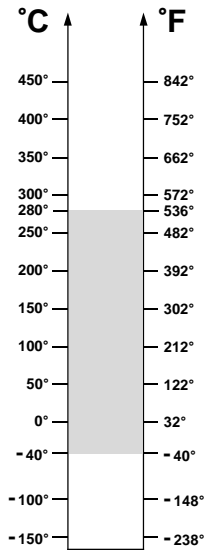


: 200° / 280°C

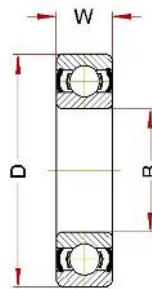


| | (B) | (D) | (W) | ' | / | , kN 280°C | , kN 20°C |
|---------------------------|-----|-----|-----|----|------|---------------|--------------|
| 613/3 BHTS ZZ 280° | 3 | 8 | 3 | 2 | 2300 | 0,11 | 0,16 |
| 623 BHTS ZZ 280° | 3 | 10 | 4 | 3 | 2300 | 0,13 | 0,18 |
| 604 BHTS ZZ 280° | 4 | 12 | 4 | 3 | 2300 | 0,24 | 0,34 |
| 624 BHTS ZZ 280° | 4 | 13 | 5 | 3 | 2300 | 0,24 | 0,34 |
| 605 BHTS ZZ 280° | 5 | 14 | 5 | 4 | 2300 | 0,30 | 0,42 |
| 625 BHTS ZZ 280° | 5 | 16 | 5 | 5 | 2300 | 0,30 | 0,42 |
| 606 BHTS ZZ 280° | 6 | 17 | 6 | 7 | 2300 | 0,60 | 0,85 |
| 626 BHTS ZZ 280° | 6 | 19 | 6 | 8 | 2300 | 0,60 | 0,85 |
| 607 BHTS ZZ 280° | 7 | 19 | 6 | 8 | 2300 | 0,60 | 0,85 |
| 627 BHTS ZZ 280° | 7 | 22 | 7 | 13 | 2200 | 0,79 | 1,10 |
| 608 BHTS ZZ 280° | 8 | 22 | 7 | 13 | 2100 | 0,79 | 1,10 |
| 628 BHTS ZZ 280° | 8 | 24 | 8 | 14 | 2000 | 0,79 | 1,10 |
| 609 BHTS ZZ 280° | 9 | 24 | 7 | 15 | 1900 | 0,93 | 1,30 |
| 629 BHTS ZZ 280° | 9 | 26 | 8 | 20 | 1800 | 1,12 | 1,57 |

BHTS ZZ 280° (61800)



: 40° / 280°C

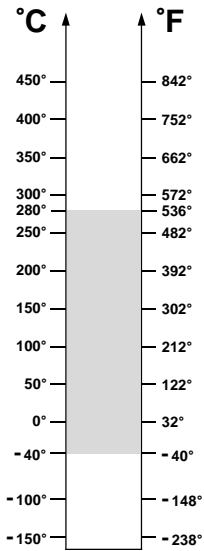


: 200° / 280°C

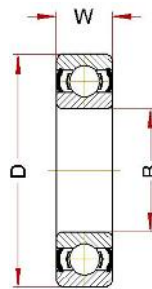


| | (B) | (D) | (W) | ' | / | , kN 280°C | , kN 20°C |
|---------------------------|-----|-----|-----|-----|------|---------------|--------------|
| 61800 BHTS ZZ 280° | 10 | 19 | 5 | 5,5 | 2240 | 0,38 | 0,53 |
| 61801 BHTS ZZ 280° | 12 | 21 | 5 | 6,3 | 2080 | 0,68 | 0,95 |
| 61802 BHTS ZZ 280° | 15 | 24 | 5 | 7,4 | 1920 | 0,89 | 1,25 |
| 61803 BHTS ZZ 280° | 17 | 26 | 5 | 8,2 | 1760 | 1,04 | 1,45 |
| 61804 BHTS ZZ 280° | 20 | 32 | 7 | 18 | 1600 | 1,60 | 2,24 |
| 61805 BHTS ZZ 280° | 25 | 37 | 7 | 24 | 1360 | 2,00 | 2,80 |
| 61806 BHTS ZZ 280° | 30 | 42 | 7 | 27 | 1040 | 2,39 | 3,35 |
| 61807 BHTS ZZ 280° | 35 | 47 | 7 | 32 | 880 | 2,57 | 3,60 |
| 61808 BHTS ZZ 280° | 40 | 52 | 7 | 35 | 800 | 3,04 | 4,25 |
| 61809 BHTS ZZ 280° | 45 | 58 | 7 | 42 | 720 | 4,00 | 5,60 |
| 61810 BHTS ZZ 280° | 50 | 65 | 7 | 52 | 680 | 4,50 | 6,30 |
| 61811 BHTS ZZ 280° | 55 | 72 | 9 | 81 | 600 | 6,07 | 8,50 |
| 61812 BHTS ZZ 280° | 60 | 78 | 10 | 105 | 560 | 7,86 | 11,0 |
| 61813 BHTS ZZ 280° | 65 | 85 | 10 | 124 | 504 | 8,57 | 12,0 |
| 61814 BHTS ZZ 280° | 70 | 90 | 10 | 133 | 480 | 8,93 | 12,5 |
| 61815 BHTS ZZ 280° | 75 | 95 | 10 | 143 | 448 | 9,57 | 13,4 |

BHTS ZZ 280° (61900)



: 40° / 280°C

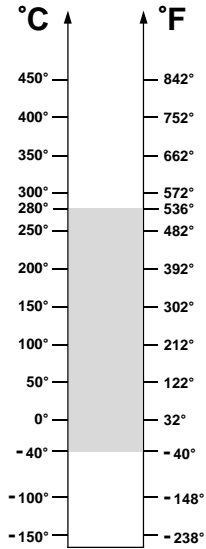


: 200° / 280°C

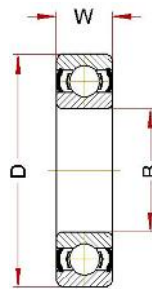


| | (B) | (D) | (W) | ' | / | , kN 280°C | , kN 20°C |
|--------------------|-----|-----|-----|-----|------|---------------|--------------|
| 61900 BHTS ZZ 280° | 10 | 22 | 6 | 10 | 2240 | 0,54 | 0,75 |
| 61901 BHTS ZZ 280° | 12 | 24 | 6 | 11 | 2080 | 0,69 | 0,97 |
| 61902 BHTS ZZ 280° | 15 | 28 | 7 | 16 | 1920 | 1,45 | 2,03 |
| 61903 BHTS ZZ 280° | 17 | 30 | 7 | 18 | 1760 | 1,64 | 2,30 |
| 61904 BHTS ZZ 280° | 20 | 37 | 9 | 22 | 1600 | 2,57 | 3,60 |
| 61905 BHTS ZZ 280° | 25 | 42 | 9 | 38 | 1360 | 2,86 | 4,00 |
| 61906 BHTS ZZ 280° | 30 | 47 | 9 | 51 | 1040 | 3,23 | 4,52 |
| 61907 BHTS ZZ 280° | 35 | 55 | 10 | 80 | 880 | 4,43 | 6,20 |
| 61908 BHTS ZZ 280° | 40 | 62 | 12 | 120 | 800 | 6,64 | 9,30 |
| 61909 BHTS ZZ 280° | 45 | 68 | 12 | 140 | 720 | 7,00 | 9,80 |
| 61910 BHTS ZZ 280° | 50 | 72 | 12 | 160 | 680 | 7,43 | 10,4 |
| 61911 BHTS ZZ 280° | 55 | 80 | 13 | 190 | 600 | 8,14 | 11,4 |
| 61912 BHTS ZZ 280° | 60 | 85 | 13 | 200 | 560 | 8,57 | 12,0 |
| 61913 BHTS ZZ 280° | 65 | 90 | 13 | 220 | 504 | 9,57 | 13,4 |
| 61914 BHTS ZZ 280° | 70 | 100 | 16 | 350 | 480 | 13,0 | 18,3 |
| 61915 BHTS ZZ 280° | 75 | 105 | 16 | 370 | 448 | 13,7 | 19,3 |

BHTS ZZ 280° (6000)



: 40° / 280°C

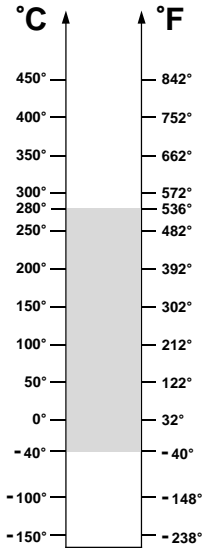


: 200° / 280°C

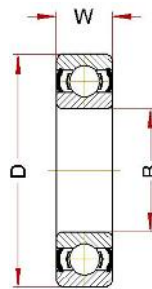


| | (B) | (D) | (W) | ' | / | , kN 280°C | , kN 20°C |
|-------------------|-----|-----|-----|------|------|---------------|--------------|
| 6000 BHTS ZZ 280° | 10 | 26 | 8 | 20 | 2240 | 1,40 | 1,96 |
| 6001 BHTS ZZ 280° | 12 | 28 | 8 | 25 | 2080 | 1,69 | 2,36 |
| 6002 BHTS ZZ 280° | 15 | 32 | 9 | 30 | 1920 | 2,04 | 2,85 |
| 6003 BHTS ZZ 280° | 17 | 35 | 10 | 40 | 1760 | 2,32 | 3,25 |
| 6004 BHTS ZZ 280° | 20 | 42 | 12 | 69 | 1600 | 3,57 | 5,00 |
| 6005 BHTS ZZ 280° | 25 | 47 | 12 | 80 | 1360 | 4,18 | 5,85 |
| 6006 BHTS ZZ 280° | 30 | 55 | 13 | 120 | 1040 | 5,71 | 8,00 |
| 6007 BHTS ZZ 280° | 35 | 62 | 14 | 160 | 880 | 7,43 | 10,4 |
| 6008 BHTS ZZ 280° | 40 | 68 | 15 | 190 | 800 | 8,43 | 11,8 |
| 6009 BHTS ZZ 280° | 45 | 75 | 16 | 250 | 720 | 10,21 | 14,3 |
| 6010 BHTS ZZ 280° | 50 | 80 | 16 | 260 | 680 | 11,14 | 15,6 |
| 6011 BHTS ZZ 280° | 55 | 90 | 18 | 390 | 600 | 15,14 | 21,2 |
| 6012 BHTS ZZ 280° | 60 | 95 | 18 | 420 | 560 | 16,57 | 23,2 |
| 6013 BHTS ZZ 280° | 65 | 100 | 18 | 440 | 504 | 17,86 | 25,0 |
| 6014 BHTS ZZ 280° | 70 | 110 | 20 | 600 | 480 | 22,50 | 31,5 |
| 6015 BHTS ZZ 280° | 75 | 115 | 20 | 640 | 448 | 24,29 | 34,0 |
| 6016 BHTS ZZ 280° | 80 | 125 | 22 | 850 | 400 | 28,57 | 40,0 |
| 6017 BHTS ZZ 280° | 85 | 130 | 22 | 890 | 380 | 30,64 | 42,9 |
| 6018 BHTS ZZ 280° | 90 | 140 | 24 | 1150 | 360 | 35,64 | 49,9 |
| 6019 BHTS ZZ 280° | 95 | 145 | 24 | 1200 | 340 | 38,54 | 53,9 |
| 6020 BHTS ZZ 280° | 100 | 150 | 24 | 1250 | 300 | 38,54 | 53,9 |

BHTS ZZ 280° (6200)



: 40° / 280°C

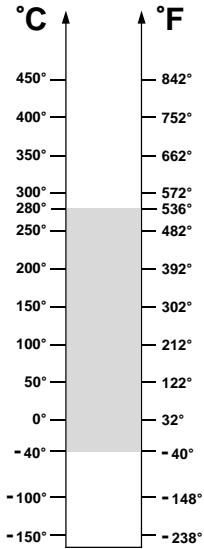


: 200° / 280°C

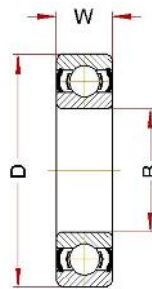


| | (B) | (D) | (W) | ' | / | , kN 280°C | , kN 20°C |
|-------------------|-----|-----|-----|------|------|---------------|--------------|
| 6200 BHTS ZZ 280° | 10 | 30 | 9 | 30 | 2080 | 1,86 | 2,60 |
| 6201 BHTS ZZ 280° | 12 | 32 | 10 | 37 | 1920 | 2,21 | 3,10 |
| 6202 BHTS ZZ 280° | 15 | 35 | 11 | 45 | 1600 | 2,68 | 3,75 |
| 6203 BHTS ZZ 280° | 17 | 40 | 12 | 65 | 1440 | 3,39 | 4,75 |
| 6204 BHTS ZZ 280° | 20 | 47 | 14 | 110 | 1200 | 4,68 | 6,55 |
| 6205 BHTS ZZ 280° | 25 | 52 | 15 | 130 | 1120 | 5,71 | 8,00 |
| 6206 BHTS ZZ 280° | 30 | 62 | 16 | 200 | 880 | 8,00 | 11,2 |
| 6207 BHTS ZZ 280° | 35 | 72 | 17 | 290 | 760 | 10,92 | 15,3 |
| 6208 BHTS ZZ 280° | 40 | 80 | 18 | 370 | 680 | 12,86 | 18,0 |
| 6209 BHTS ZZ 280° | 45 | 85 | 19 | 410 | 640 | 14,57 | 20,4 |
| 6210 BHTS ZZ 280° | 50 | 90 | 20 | 460 | 600 | 17,14 | 24,0 |
| 6211 BHTS ZZ 280° | 55 | 100 | 21 | 610 | 536 | 20,71 | 29,0 |
| 6212 BHTS ZZ 280° | 60 | 110 | 22 | 780 | 480 | 25,71 | 36,0 |
| 6213 BHTS ZZ 280° | 65 | 120 | 23 | 990 | 424 | 29,64 | 41,5 |
| 6214 BHTS ZZ 280° | 70 | 125 | 24 | 1040 | 400 | 31,43 | 44,0 |
| 6215 BHTS ZZ 280° | 75 | 130 | 25 | 1210 | 384 | 35,00 | 49,0 |
| 6216 BHTS ZZ 280° | 80 | 140 | 26 | 1400 | 350 | 39,29 | 55,0 |
| 6217 BHTS ZZ 280° | 85 | 150 | 28 | 1800 | 330 | 45,71 | 64,0 |
| 6218 BHTS ZZ 280° | 90 | 160 | 30 | 2150 | 310 | 52,50 | 73,5 |
| 6219 BHTS ZZ 280° | 95 | 170 | 32 | 2600 | 300 | 58,21 | 81,5 |
| 6220 BHTS ZZ 280° | 100 | 180 | 34 | 3150 | 290 | 66,43 | 93,0 |

BHTS ZZ 280° (6300)



: 40° / 280°C

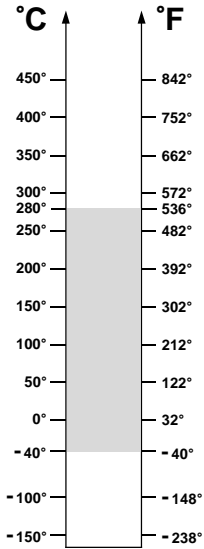


: 200° / 280°C

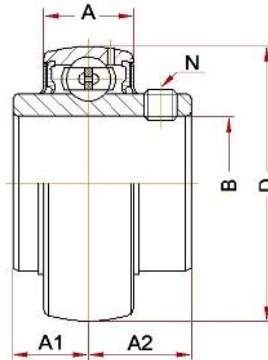


| | (B) | (D) | (W) | ' | / | , kN 280°C | , kN 20°C |
|-------------------|-----|-----|-----|------|------|---------------|--------------|
| 6300 BHTS ZZ 280° | 10 | 35 | 11 | 52 | 1760 | 2,46 | 3,45 |
| 6301 BHTS ZZ 280° | 12 | 37 | 12 | 60 | 1600 | 2,96 | 4,15 |
| 6302 BHTS ZZ 280° | 15 | 42 | 13 | 80 | 1440 | 3,86 | 5,40 |
| 6303 BHTS ZZ 280° | 17 | 47 | 14 | 120 | 1280 | 4,68 | 6,55 |
| 6304 BHTS ZZ 280° | 20 | 52 | 15 | 140 | 1120 | 6,07 | 8,50 |
| 6305 BHTS ZZ 280° | 25 | 62 | 17 | 225 | 880 | 8,14 | 11,4 |
| 6306 BHTS ZZ 280° | 30 | 72 | 19 | 350 | 760 | 11,64 | 16,3 |
| 6307 BHTS ZZ 280° | 35 | 80 | 21 | 450 | 680 | 13,57 | 19,0 |
| 6308 BHTS ZZ 280° | 40 | 90 | 23 | 620 | 600 | 17,86 | 25,0 |
| 6309 BHTS ZZ 280° | 45 | 100 | 25 | 830 | 536 | 22,86 | 32,0 |
| 6310 BHTS ZZ 280° | 50 | 110 | 27 | 1050 | 480 | 27,14 | 38,0 |
| 6311 BHTS ZZ 280° | 55 | 120 | 29 | 1350 | 424 | 33,93 | 47,5 |
| 6312 BHTS ZZ 280° | 60 | 130 | 31 | 1700 | 400 | 37,14 | 52,0 |
| 6313 BHTS ZZ 280° | 65 | 140 | 33 | 2100 | 360 | 42,86 | 60,0 |
| 6314 BHTS ZZ 280° | 70 | 150 | 35 | 2500 | 344 | 48,57 | 68,0 |
| 6315 BHTS ZZ 280° | 75 | 160 | 37 | 3000 | 320 | 54,64 | 76,5 |
| 6316 BHTS ZZ 280° | 80 | 170 | 39 | 3600 | 300 | 61,79 | 86,5 |
| 6317 BHTS ZZ 280° | 85 | 180 | 41 | 4250 | 290 | 68,92 | 96,5 |
| 6318 BHTS ZZ 280° | 90 | 190 | 43 | 4900 | 270 | 77,14 | 108 |
| 6319 BHTS ZZ 280° | 95 | 200 | 45 | 5650 | 250 | 84,29 | 118 |
| 6320 BHTS ZZ 280° | 100 | 215 | 47 | 7000 | 230 | 100,0 | 140 |

BHTS ZZ 280° (UC)



: 40° / 280°C

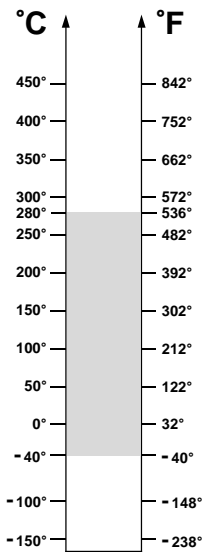
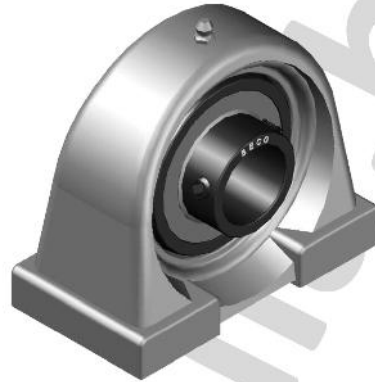


: 200° / 280°C

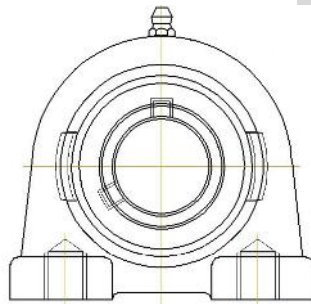


| | (B) | (D) | A | A1 | A2 | N | | / | , kN 280°C | , kN 20°C |
|----------------------------|-----|-----|--------|------|------|----------|------|------|---------------|--------------|
| UC 201 BHTS ZZ 280° | 12 | 47 | 13 ± 2 | 11,5 | 15,9 | M6x0,75 | 200 | 1440 | 4,72 | 6,6 |
| UC 202 BHTS ZZ 280° | 15 | 47 | 13 ± 2 | 11,5 | 15,9 | M6x0,75 | 200 | 1440 | 4,72 | 6,6 |
| UC 203 BHTS ZZ 280° | 17 | 47 | 13 ± 2 | 11,5 | 15,9 | M6x0,75 | 200 | 1440 | 4,72 | 6,6 |
| UC 204 BHTS ZZ 280° | 20 | 47 | 15 ± 2 | 12,7 | 18,3 | M6x0,75 | 250 | 1200 | 4,72 | 6,6 |
| UC 205 BHTS ZZ 280° | 25 | 52 | 16 ± 1 | 14,3 | 19,8 | M6x0,75 | 300 | 1120 | 5,58 | 7,8 |
| UC 206 BHTS ZZ 280° | 30 | 62 | 17 ± 2 | 15,9 | 22,2 | M6x0,75 | 350 | 880 | 8,00 | 11,2 |
| UC 207 BHTS ZZ 280° | 35 | 72 | 18 ± 2 | 17,5 | 25,4 | M8x1,00 | 500 | 760 | 10,7 | 15,1 |
| UC 208 BHTS ZZ 280° | 40 | 80 | 19 ± 2 | 19,0 | 30,2 | M8x1,00 | 700 | 680 | 13,0 | 18,2 |
| UC 209 BHTS ZZ 280° | 45 | 85 | 20 ± 2 | 19,0 | 30,2 | M8x1,00 | 800 | 640 | 14,7 | 20,6 |
| UC 210 BHTS ZZ 280° | 50 | 90 | 22 ± 2 | 19,0 | 32,6 | M10x1,25 | 900 | 600 | 16,5 | 23,1 |
| UC 211 BHTS ZZ 280° | 55 | 100 | 23 ± 2 | 22,2 | 33,4 | M10x1,25 | 1300 | 536 | 20,7 | 29,0 |
| UC 212 BHTS ZZ 280° | 60 | 110 | 24 ± 3 | 25,4 | 39,7 | M10x1,25 | 1700 | 480 | 25,3 | 32,6 |
| UC 213 BHTS ZZ 280° | 65 | 120 | 27 ± 5 | 25,4 | 39,7 | M10x1,25 | 1900 | 424 | 28,4 | 39,8 |
| UC 214 BHTS ZZ 280° | 70 | 125 | 28 ± 5 | 30,2 | 44,4 | M12x1,50 | 2100 | 400 | 31,9 | 44,7 |
| UC 215 BHTS ZZ 280° | 75 | 130 | 29 ± 5 | 33,3 | 44,5 | M12x1,50 | 2200 | 384 | 35,1 | 49,2 |

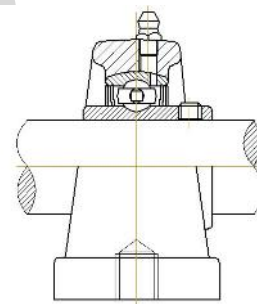
BHTS ZZ 280° (UCPA)



: 40° / 280°C

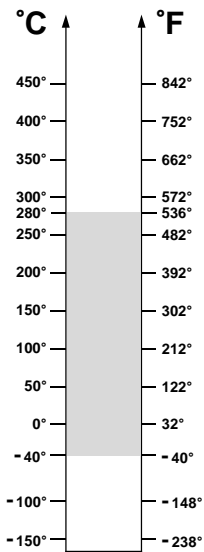
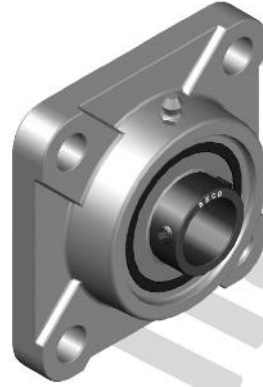


: 200° / 280°C

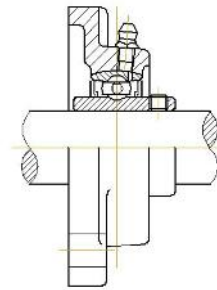
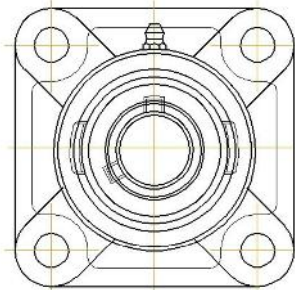


| | | |
|------------------------------|---------------------|-----------|
| UCPA 201 BHTS ZZ 280° | UC 201 BHTS ZZ 280° | PA 204 SS |
| UCPA 202 BHTS ZZ 280° | UC 202 BHTS ZZ 280° | PA 204 SS |
| UCPA 203 BHTS ZZ 280° | UC 203 BHTS ZZ 280° | PA 204 SS |
| UCPA 204 BHTS ZZ 280° | UC 204 BHTS ZZ 280° | PA 204 SS |
| UCPA 205 BHTS ZZ 280° | UC 205 BHTS ZZ 280° | PA 205 SS |
| UCPA 206 BHTS ZZ 280° | UC 206 BHTS ZZ 280° | PA 206 SS |
| UCPA 207 BHTS ZZ 280° | UC 207 BHTS ZZ 280° | PA 207 SS |
| UCPA 208 BHTS ZZ 280° | UC 208 BHTS ZZ 280° | PA 208 SS |
| UCPA 209 BHTS ZZ 280° | UC 209 BHTS ZZ 280° | PA 209 SS |
| UCPA 210 BHTS ZZ 280° | UC 210 BHTS ZZ 280° | PA 210 SS |

BHTS ZZ 280° (UCF)



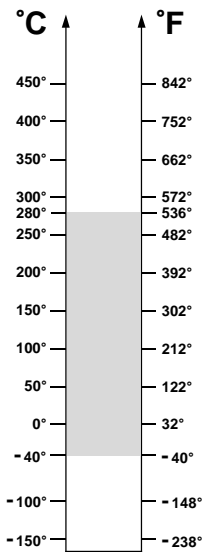
: 40° / 280°C



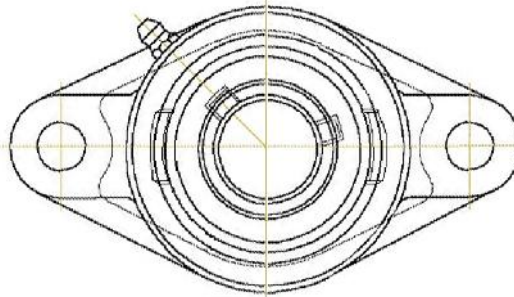
: 200° / 280°C

| | | |
|-----------------------------|---------------------|----------|
| UCF 201 BHTS ZZ 280° | UC 201 BHTS ZZ 280° | F 204 SS |
| UCF 202 BHTS ZZ 280° | UC 202 BHTS ZZ 280° | F 204 SS |
| UCF 203 BHTS ZZ 280° | UC 203 BHTS ZZ 280° | F 204 SS |
| UCF 204 BHTS ZZ 280° | UC 204 BHTS ZZ 280° | F 204 SS |
| UCF 205 BHTS ZZ 280° | UC 205 BHTS ZZ 280° | F 205 SS |
| UCF 206 BHTS ZZ 280° | UC 206 BHTS ZZ 280° | F 206 SS |
| UCF 207 BHTS ZZ 280° | UC 207 BHTS ZZ 280° | F 207 SS |
| UCF 208 BHTS ZZ 280° | UC 208 BHTS ZZ 280° | F 208 SS |
| UCF 209 BHTS ZZ 280° | UC 209 BHTS ZZ 280° | F 209 SS |
| UCF 210 BHTS ZZ 280° | UC 210 BHTS ZZ 280° | F 210 SS |
| UCF 211 BHTS ZZ 280° | UC 211 BHTS ZZ 280° | F 211 SS |
| UCF 212 BHTS ZZ 280° | UC 212 BHTS ZZ 280° | F 212 SS |
| UCF 213 BHTS ZZ 280° | UC 213 BHTS ZZ 280° | F 213 SS |
| UCF 214 BHTS ZZ 280° | UC 214 BHTS ZZ 280° | F 214 SS |
| UCF 215 BHTS ZZ 280° | UC 215 BHTS ZZ 280° | F 215 SS |

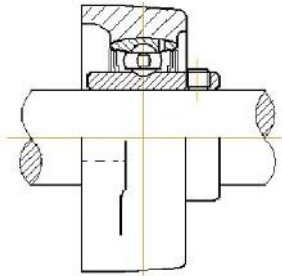
BHTS ZZ 280° (UCFL)



: 40° / 280°C

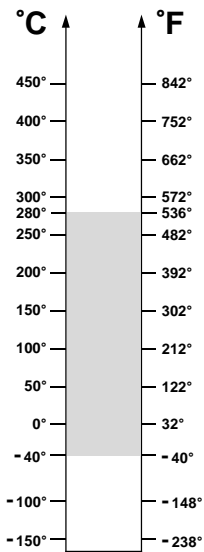


: 200° / 280°C

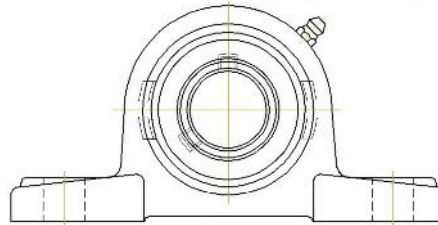


| | | |
|-----------------------|---------------------|-----------|
| UCFL 201 BHTS ZZ 280° | UC 201 BHTS ZZ 280° | FL 204 SS |
| UCFL 202 BHTS ZZ 280° | UC 202 BHTS ZZ 280° | FL 204 SS |
| UCFL 203 BHTS ZZ 280° | UC 203 BHTS ZZ 280° | FL 204 SS |
| UCFL 204 BHTS ZZ 280° | UC 204 BHTS ZZ 280° | FL 204 SS |
| UCFL 205 BHTS ZZ 280° | UC 205 BHTS ZZ 280° | FL 205 SS |
| UCFL 206 BHTS ZZ 280° | UC 206 BHTS ZZ 280° | FL 206 SS |
| UCFL 207 BHTS ZZ 280° | UC 207 BHTS ZZ 280° | FL 207 SS |
| UCFL 208 BHTS ZZ 280° | UC 208 BHTS ZZ 280° | FL 208 SS |
| UCFL 209 BHTS ZZ 280° | UC 209 BHTS ZZ 280° | FL 209 SS |
| UCFL 210 BHTS ZZ 280° | UC 210 BHTS ZZ 280° | FL 210 SS |
| UCFL 211 BHTS ZZ 280° | UC 211 BHTS ZZ 280° | FL 211 SS |
| UCFL 212 BHTS ZZ 280° | UC 212 BHTS ZZ 280° | FL 212 SS |

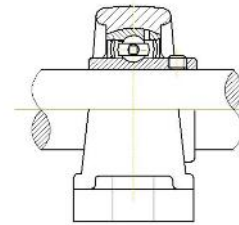
BHTS ZZ 280° (UCP)



: 40° / 280°C

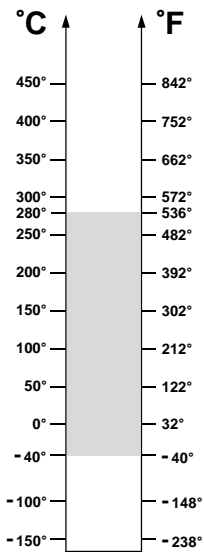
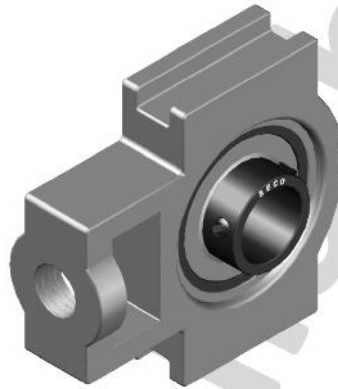


: 200° / 280°C

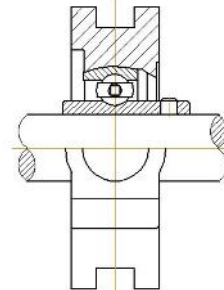
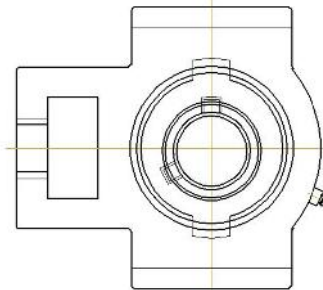


| | | |
|-----------------------------|---------------------|----------|
| UCP 201 BHTS ZZ 280° | UC 201 BHTS ZZ 280° | P 204 SS |
| UCP 202 BHTS ZZ 280° | UC 202 BHTS ZZ 280° | P 204 SS |
| UCP 203 BHTS ZZ 280° | UC 203 BHTS ZZ 280° | P 204 SS |
| UCP 204 BHTS ZZ 280° | UC 204 BHTS ZZ 280° | P 204 SS |
| UCP 205 BHTS ZZ 280° | UC 205 BHTS ZZ 280° | P 205 SS |
| UCP 206 BHTS ZZ 280° | UC 206 BHTS ZZ 280° | P 206 SS |
| UCP 207 BHTS ZZ 280° | UC 207 BHTS ZZ 280° | P 207 SS |
| UCP 208 BHTS ZZ 280° | UC 208 BHTS ZZ 280° | P 208 SS |
| UCP 209 BHTS ZZ 280° | UC 209 BHTS ZZ 280° | P 209 SS |
| UCP 210 BHTS ZZ 280° | UC 210 BHTS ZZ 280° | P 210 SS |
| UCP 211 BHTS ZZ 280° | UC 211 BHTS ZZ 280° | P 211 SS |
| UCP 212 BHTS ZZ 280° | UC 212 BHTS ZZ 280° | P 212 SS |
| UCP 213 BHTS ZZ 280° | UC 213 BHTS ZZ 280° | P 213 SS |
| UCP 214 BHTS ZZ 280° | UC 214 BHTS ZZ 280° | P 214 SS |
| UCP 215 BHTS ZZ 280° | UC 215 BHTS ZZ 280° | P 215 SS |

BHTS ZZ 280° (UCT)



: 40° / 280°C



: 200° / 280°C

| | | |
|-----------------------------|---------------------|----------|
| UCT 201 BHTS ZZ 280° | UC 201 BHTS ZZ 280° | T 204 SS |
| UCT 202 BHTS ZZ 280° | UC 202 BHTS ZZ 280° | T 204 SS |
| UCT 203 BHTS ZZ 280° | UC 203 BHTS ZZ 280° | T 204 SS |
| UCT 204 BHTS ZZ 280° | UC 204 BHTS ZZ 280° | T 204 SS |
| UCT 205 BHTS ZZ 280° | UC 205 BHTS ZZ 280° | T 205 SS |
| UCT 206 BHTS ZZ 280° | UC 206 BHTS ZZ 280° | T 206 SS |
| UCT 207 BHTS ZZ 280° | UC 207 BHTS ZZ 280° | T 207 SS |
| UCT 208 BHTS ZZ 280° | UC 208 BHTS ZZ 280° | T 208 SS |
| UCT 209 BHTS ZZ 280° | UC 209 BHTS ZZ 280° | T 209 SS |
| UCT 210 BHTS ZZ 280° | UC 210 BHTS ZZ 280° | T 210 SS |
| UCT 211 BHTS ZZ 280° | UC 211 BHTS ZZ 280° | T 211 SS |
| UCT 212 BHTS ZZ 280° | UC 212 BHTS ZZ 280° | T 212 SS |



BHTS 330°

[

]

50
 2000
 350°
 2015
 -
 280°
 300°
 330°
 2000
 1995-
 350°
 BHTS 330° 2025

AISI 52100
 4xC5

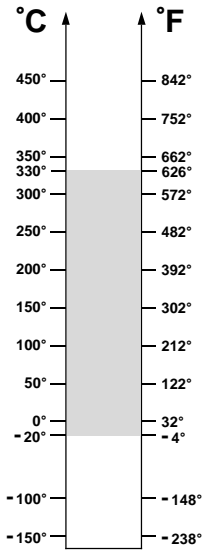
*



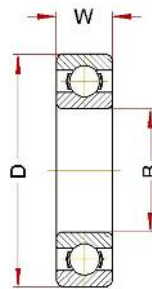
BHTS 330° (6000)

[

]



: 20° / 330°C



: 200° / 330°C

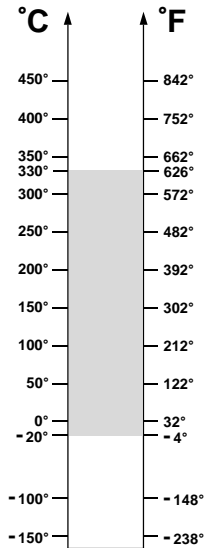


| | (B) | (D) | (W) | ' | / | , kN 330°C | , kN 20°C |
|-----------------------|-----|-----|-----|------|-----|---------------|--------------|
| 6000 BHTS 330° | 10 | 26 | 8 | 20 | 282 | 1,35 | 1,96 |
| 6001 BHTS 330° | 12 | 28 | 8 | 25 | 262 | 1,63 | 2,36 |
| 6002 BHTS 330° | 15 | 32 | 9 | 30 | 242 | 1,97 | 2,85 |
| 6003 BHTS 330° | 17 | 35 | 10 | 40 | 222 | 2,24 | 3,25 |
| 6004 BHTS 330° | 20 | 42 | 12 | 69 | 200 | 3,45 | 5,00 |
| 6005 BHTS 330° | 25 | 47 | 12 | 80 | 170 | 4,04 | 5,85 |
| 6006 BHTS 330° | 30 | 55 | 13 | 120 | 130 | 5,52 | 8,00 |
| 6007 BHTS 330° | 35 | 62 | 14 | 160 | 110 | 7,17 | 10,4 |
| 6008 BHTS 330° | 40 | 68 | 15 | 190 | 100 | 8,14 | 11,8 |
| 6009 BHTS 330° | 45 | 75 | 16 | 250 | 90 | 9,86 | 14,3 |
| 6010 BHTS 330° | 50 | 80 | 16 | 260 | 85 | 10,76 | 15,6 |
| 6011 BHTS 330° | 55 | 90 | 18 | 390 | 75 | 14,62 | 21,2 |
| 6012 BHTS 330° | 60 | 95 | 18 | 420 | 70 | 16,00 | 23,2 |
| 6013 BHTS 330° | 65 | 100 | 18 | 440 | 63 | 17,24 | 25,0 |
| 6014 BHTS 330° | 70 | 110 | 20 | 600 | 60 | 21,72 | 31,5 |
| 6015 BHTS 330° | 75 | 115 | 20 | 640 | 50 | 23,45 | 34,0 |
| 6016 BHTS 330° | 80 | 125 | 22 | 850 | 50 | 27,58 | 40,0 |
| 6017 BHTS 330° | 85 | 130 | 22 | 890 | 50 | 29,59 | 42,9 |
| 6018 BHTS 330° | 90 | 140 | 24 | 1150 | 50 | 34,41 | 49,9 |
| 6019 BHTS 330° | 95 | 145 | 24 | 1200 | 50 | 37,21 | 53,9 |
| 6020 BHTS 330° | 100 | 150 | 24 | 1250 | 50 | 37,21 | 53,9 |

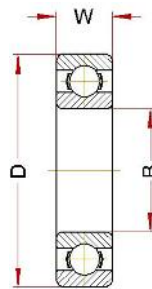
BHTS 330° (6200)

[

]



: 20° / 330°C



: 200° / 330°C

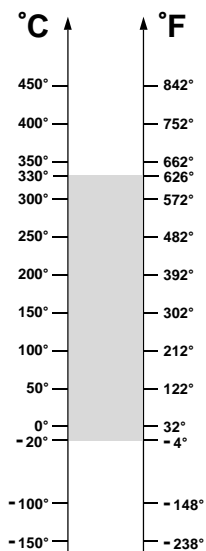


| | (B) | (D) | (W) | ' | / | , kN 330°C | , kN 20°C |
|-----------------------|-----|-----|-----|------|-----|---------------|--------------|
| 6200 BHTS 330° | 10 | 30 | 9 | 30 | 262 | 1,79 | 2,60 |
| 6201 BHTS 330° | 12 | 32 | 10 | 37 | 242 | 2,14 | 3,10 |
| 6202 BHTS 330° | 15 | 35 | 11 | 45 | 180 | 2,59 | 3,75 |
| 6203 BHTS 330° | 17 | 40 | 12 | 65 | 175 | 3,28 | 4,75 |
| 6204 BHTS 330° | 20 | 47 | 14 | 110 | 150 | 4,52 | 6,55 |
| 6205 BHTS 330° | 25 | 52 | 15 | 130 | 140 | 5,52 | 8,00 |
| 6206 BHTS 330° | 30 | 62 | 16 | 200 | 110 | 7,72 | 11,2 |
| 6207 BHTS 330° | 35 | 72 | 17 | 290 | 100 | 10,55 | 15,3 |
| 6208 BHTS 330° | 40 | 80 | 18 | 370 | 85 | 12,41 | 18,0 |
| 6209 BHTS 330° | 45 | 85 | 19 | 410 | 80 | 14,06 | 20,4 |
| 6210 BHTS 330° | 50 | 90 | 20 | 460 | 75 | 16,55 | 24,0 |
| 6211 BHTS 330° | 55 | 100 | 21 | 610 | 67 | 20,00 | 29,0 |
| 6212 BHTS 330° | 60 | 110 | 22 | 780 | 60 | 24,83 | 36,0 |
| 6213 BHTS 330° | 65 | 120 | 23 | 990 | 53 | 28,62 | 41,5 |
| 6214 BHTS 330° | 70 | 125 | 24 | 1040 | 50 | 30,35 | 44,0 |
| 6215 BHTS 330° | 75 | 130 | 25 | 1210 | 50 | 33,79 | 49,0 |
| 6216 BHTS 330° | 80 | 140 | 26 | 1400 | 50 | 37,93 | 55,0 |
| 6217 BHTS 330° | 85 | 150 | 28 | 1800 | 50 | 44,14 | 64,0 |
| 6218 BHTS 330° | 90 | 160 | 30 | 2150 | 50 | 50,69 | 73,5 |
| 6219 BHTS 330° | 95 | 170 | 32 | 2500 | 50 | 56,21 | 81,5 |
| 6220 BHTS 330° | 100 | 180 | 34 | 3150 | 50 | 64,14 | 93,0 |

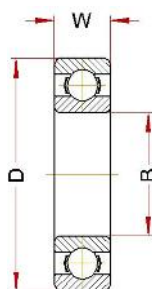
BHTS 330° (6300)

[

]



: 20° / 330°C



: 200° / 330°C

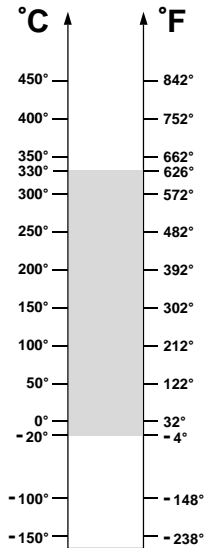


| | (B) | (D) | (W) | ' | / | , kN 330°C | , kN 20°C |
|-----------------------|-----|-----|-----|------|-----|---------------|--------------|
| 6300 BHTS 330° | 10 | 35 | 11 | 52 | 220 | 2,38 | 3,45 |
| 6301 BHTS 330° | 12 | 37 | 12 | 60 | 200 | 2,86 | 4,15 |
| 6302 BHTS 330° | 15 | 42 | 13 | 80 | 180 | 3,72 | 5,40 |
| 6303 BHTS 330° | 17 | 47 | 14 | 120 | 160 | 4,52 | 6,55 |
| 6304 BHTS 330° | 20 | 52 | 15 | 140 | 140 | 5,86 | 8,50 |
| 6305 BHTS 330° | 25 | 62 | 17 | 225 | 110 | 7,86 | 11,4 |
| 6306 BHTS 330° | 30 | 72 | 19 | 350 | 95 | 11,24 | 16,3 |
| 6307 BHTS 330° | 35 | 80 | 21 | 450 | 85 | 13,10 | 19,0 |
| 6308 BHTS 330° | 40 | 90 | 23 | 620 | 75 | 17,24 | 25,0 |
| 6309 BHTS 330° | 45 | 100 | 25 | 830 | 67 | 22,06 | 32,0 |
| 6310 BHTS 330° | 50 | 110 | 27 | 1050 | 60 | 26,21 | 38,0 |
| 6311 BHTS 330° | 55 | 120 | 29 | 1350 | 53 | 32,76 | 47,5 |
| 6312 BHTS 330° | 60 | 130 | 31 | 1700 | 50 | 35,86 | 52,0 |
| 6313 BHTS 330° | 65 | 140 | 33 | 2100 | 50 | 41,38 | 60,0 |
| 6314 BHTS 330° | 70 | 150 | 35 | 2500 | 50 | 46,90 | 68,0 |
| 6315 BHTS 330° | 75 | 160 | 37 | 3000 | 50 | 52,76 | 76,5 |
| 6316 BHTS 330° | 80 | 170 | 39 | 3600 | 50 | 59,66 | 86,5 |
| 6317 BHTS 330° | 85 | 180 | 41 | 4250 | 50 | 66,55 | 96,5 |
| 6318 BHTS 330° | 90 | 190 | 43 | 4900 | 50 | 74,48 | 108 |
| 6319 BHTS 330° | 95 | 200 | 45 | 5650 | 50 | 81,38 | 118 |
| 6320 BHTS 330° | 100 | 215 | 47 | 7000 | 50 | 96,55 | 140 |

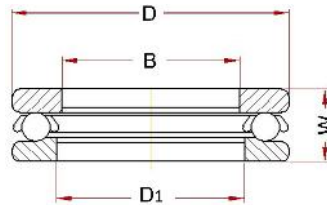
BHTS 330° (51100)

[

]



: 20° / 330°C



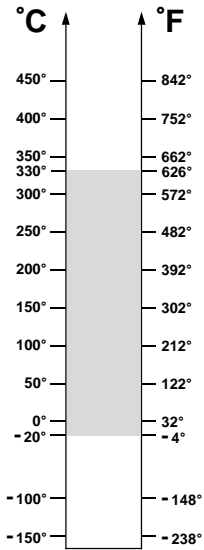
: 200° / 330°C

| | (B) | (D) | (D1) | (W) | ' | / | , kN 330°C | , kN 20°C |
|------------------------|-----|-----|------|-----|-----|-----|---------------|--------------|
| 51100 BHTS 330° | 10 | 24 | 11 | 9 | 20 | 100 | 10,55 | 15,3 |
| 51101 BHTS 330° | 12 | 26 | 13 | 9 | 20 | 100 | 11,45 | 16,6 |
| 51102 BHTS 330° | 15 | 28 | 16 | 9 | 20 | 100 | 11,59 | 16,8 |
| 51103 BHTS 330° | 17 | 30 | 18 | 9 | 30 | 100 | 11,86 | 17,2 |
| 51104 BHTS 330° | 20 | 35 | 21 | 9 | 40 | 100 | 15,72 | 22,8 |
| 51105 BHTS 330° | 25 | 42 | 26 | 10 | 60 | 100 | 21,72 | 31,5 |
| 51106 BHTS 330° | 30 | 47 | 32 | 11 | 60 | 100 | 24,83 | 36,0 |
| 51107 BHTS 330° | 35 | 52 | 37 | 11 | 80 | 100 | 27,93 | 40,5 |
| 51108 BHTS 330° | 40 | 60 | 42 | 13 | 120 | 100 | 37,93 | 55,0 |
| 51109 BHTS 330° | 45 | 65 | 47 | 14 | 140 | 100 | 42,06 | 61,0 |
| 51110 BHTS 330° | 50 | 70 | 52 | 14 | 160 | 100 | 46,90 | 68,0 |
| 51111 BHTS 330° | 55 | 78 | 57 | 16 | 230 | 100 | 58,62 | 85,0 |
| 51112 BHTS 330° | 60 | 85 | 62 | 17 | 300 | 100 | 70,35 | 102 |
| 51113 BHTS 330° | 65 | 90 | 67 | 18 | 330 | 100 | 75,17 | 109 |
| 51114 BHTS 330° | 70 | 95 | 72 | 18 | 350 | 100 | 76,55 | 111 |
| 51115 BHTS 330° | 75 | 100 | 77 | 19 | 400 | 100 | 100,0 | 145 |

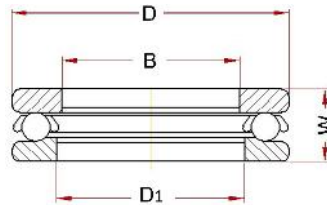
BHTS 330° (51200)

[

]



: 20° / 330°C



: 200° / 330°C

| | (B) | (D) | (D1) | (W) | ' | / | , kN 330°C | , kN 20°C |
|------------------------|-----|-----|------|-----|-----|-----|---------------|--------------|
| 51200 BHTS 330° | 10 | 26 | 12 | 11 | 30 | 100 | 12,83 | 18,6 |
| 51201 BHTS 330° | 12 | 28 | 14 | 11 | 30 | 100 | 14,34 | 20,8 |
| 51202 BHTS 330° | 15 | 32 | 17 | 12 | 50 | 100 | 18,62 | 27,0 |
| 51203 BHTS 330° | 17 | 35 | 19 | 12 | 50 | 100 | 20,69 | 30,0 |
| 51204 BHTS 330° | 20 | 40 | 22 | 14 | 80 | 100 | 28,28 | 41,0 |
| 51205 BHTS 330° | 25 | 47 | 27 | 15 | 110 | 100 | 37,93 | 55,0 |
| 51206 BHTS 330° | 30 | 52 | 32 | 16 | 130 | 100 | 40,69 | 59,0 |
| 51207 BHTS 330° | 35 | 62 | 37 | 18 | 220 | 100 | 50,69 | 73,5 |
| 51208 BHTS 330° | 40 | 68 | 42 | 19 | 280 | 100 | 73,10 | 106 |
| 51209 BHTS 330° | 45 | 73 | 47 | 20 | 300 | 100 | 75,17 | 109 |
| 51210 BHTS 330° | 50 | 78 | 52 | 22 | 370 | 100 | 80,00 | 116 |
| 51211 BHTS 330° | 55 | 90 | 57 | 25 | 590 | 100 | 101,38 | 147 |
| 51212 BHTS 330° | 60 | 95 | 62 | 26 | 650 | 100 | 103,45 | 150 |
| 51213 BHTS 330° | 65 | 100 | 67 | 27 | 780 | 100 | 113,10 | 164 |
| 51214 BHTS 330° | 70 | 105 | 72 | 27 | 790 | 100 | 118,62 | 172 |
| 51215 BHTS 330° | 75 | 110 | 77 | 27 | 830 | 100 | 126,90 | 184 |



BHTS ZZ 350° BECO PLUS

BHTS ZZ 350° BECO PLUS

BECO

350°C

375°

AISI 52100

4xC5

ZZ

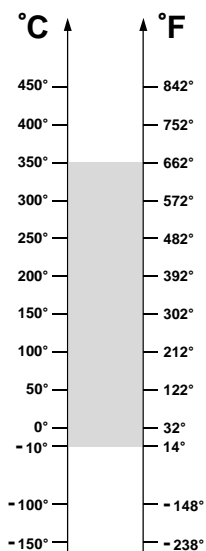
BECO

375°C

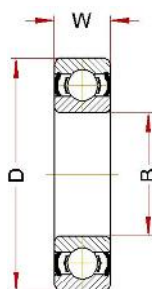
3



BHTS ZZ 350° BECO PLUS (6000)



: 10° / 350°C

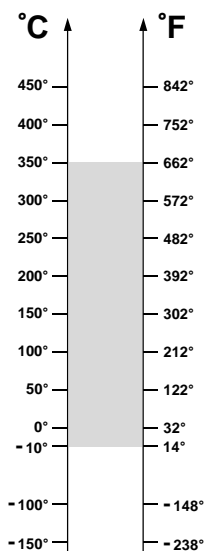


: 250° / 350°C

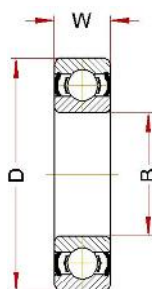


| | (B) | (D) | (W) | ' | / | , kN 350°C | , kN 20°C |
|------------------------------------|-----|-----|-----|-----|-----|---------------|--------------|
| 6000 BHTS ZZ 350° BECO PLUS | 10 | 26 | 8 | 20 | 564 | 1,35 | 1,96 |
| 6001 BHTS ZZ 350° BECO PLUS | 12 | 28 | 8 | 25 | 524 | 1,63 | 2,36 |
| 6002 BHTS ZZ 350° BECO PLUS | 15 | 32 | 9 | 30 | 484 | 1,97 | 2,85 |
| 6003 BHTS ZZ 350° BECO PLUS | 17 | 35 | 10 | 40 | 444 | 2,24 | 3,25 |
| 6004 BHTS ZZ 350° BECO PLUS | 20 | 42 | 12 | 69 | 400 | 3,45 | 5,00 |
| 6005 BHTS ZZ 350° BECO PLUS | 25 | 47 | 12 | 80 | 340 | 4,04 | 5,85 |
| 6006 BHTS ZZ 350° BECO PLUS | 30 | 55 | 13 | 120 | 260 | 5,52 | 8,00 |
| 6007 BHTS ZZ 350° BECO PLUS | 35 | 62 | 14 | 160 | 220 | 7,17 | 10,4 |
| 6008 BHTS ZZ 350° BECO PLUS | 40 | 68 | 15 | 190 | 200 | 8,14 | 11,8 |
| 6009 BHTS ZZ 350° BECO PLUS | 45 | 75 | 16 | 250 | 180 | 9,86 | 14,3 |
| 6010 BHTS ZZ 350° BECO PLUS | 50 | 80 | 16 | 260 | 170 | 10,76 | 15,6 |
| 6011 BHTS ZZ 350° BECO PLUS | 55 | 90 | 18 | 390 | 150 | 14,62 | 21,2 |
| 6012 BHTS ZZ 350° BECO PLUS | 60 | 95 | 18 | 420 | 140 | 16,00 | 23,2 |
| 6013 BHTS ZZ 350° BECO PLUS | 65 | 100 | 18 | 440 | 126 | 17,24 | 25,0 |
| 6014 BHTS ZZ 350° BECO PLUS | 70 | 110 | 20 | 600 | 120 | 21,72 | 31,5 |
| 6015 BHTS ZZ 350° BECO PLUS | 75 | 115 | 20 | 640 | 100 | 23,45 | 34,0 |

BHTS ZZ 350° BECO PLUS (6200)



: 10° / 350°C

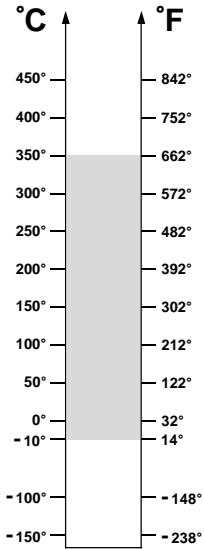


: 250° / 350°C

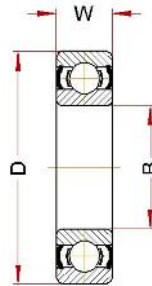


| | (B) | (D) | (W) | ' | / | , kN 350°C | , kN 20°C |
|------------------------------------|-----|-----|-----|------|-----|---------------|--------------|
| 6200 BHTS ZZ 350° BECO PLUS | 10 | 30 | 9 | 30 | 524 | 1,79 | 2,60 |
| 6201 BHTS ZZ 350° BECO PLUS | 12 | 32 | 10 | 37 | 484 | 2,14 | 3,10 |
| 6202 BHTS ZZ 350° BECO PLUS | 15 | 35 | 11 | 45 | 360 | 2,59 | 3,75 |
| 6203 BHTS ZZ 350° BECO PLUS | 17 | 40 | 12 | 65 | 350 | 3,28 | 4,75 |
| 6204 BHTS ZZ 350° BECO PLUS | 20 | 47 | 14 | 110 | 300 | 4,52 | 6,55 |
| 6205 BHTS ZZ 350° BECO PLUS | 25 | 52 | 15 | 130 | 280 | 5,52 | 8,00 |
| 6206 BHTS ZZ 350° BECO PLUS | 30 | 62 | 16 | 200 | 220 | 7,72 | 11,2 |
| 6207 BHTS ZZ 350° BECO PLUS | 35 | 72 | 17 | 290 | 200 | 10,55 | 15,3 |
| 6208 BHTS ZZ 350° BECO PLUS | 40 | 80 | 18 | 370 | 170 | 12,41 | 18,0 |
| 6209 BHTS ZZ 350° BECO PLUS | 45 | 85 | 19 | 410 | 160 | 14,06 | 20,4 |
| 6210 BHTS ZZ 350° BECO PLUS | 50 | 90 | 20 | 460 | 150 | 16,55 | 24,0 |
| 6211 BHTS ZZ 350° BECO PLUS | 55 | 100 | 21 | 610 | 134 | 20,00 | 29,0 |
| 6212 BHTS ZZ 350° BECO PLUS | 60 | 110 | 22 | 780 | 120 | 24,83 | 36,0 |
| 6213 BHTS ZZ 350° BECO PLUS | 65 | 120 | 23 | 990 | 106 | 28,62 | 41,5 |
| 6214 BHTS ZZ 350° BECO PLUS | 70 | 125 | 24 | 1040 | 100 | 30,35 | 44,0 |
| 6215 BHTS ZZ 350° BECO PLUS | 75 | 130 | 25 | 1210 | 100 | 33,79 | 49,0 |

BHTS ZZ 350° BECO PLUS (6300)



: 10° / 350°C

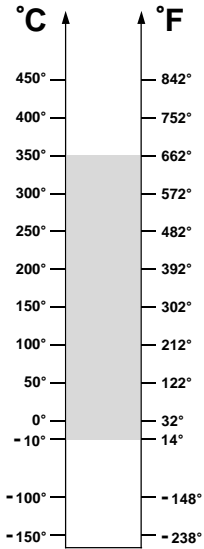


: 250° / 350°C

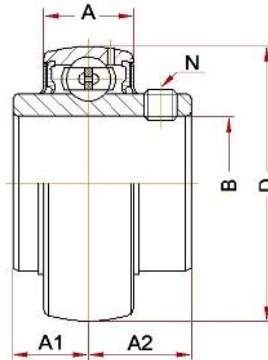


| | (B) | (D) | (W) | ' | / | , kN 350°C | , kN 20°C |
|------------------------------------|-----|-----|-----|------|-----|---------------|--------------|
| 6300 BHTS ZZ 350° BECO PLUS | 10 | 35 | 11 | 52 | 440 | 2,38 | 3,45 |
| 6301 BHTS ZZ 350° BECO PLUS | 12 | 37 | 12 | 60 | 400 | 2,86 | 4,15 |
| 6302 BHTS ZZ 350° BECO PLUS | 15 | 42 | 13 | 80 | 360 | 3,72 | 5,40 |
| 6303 BHTS ZZ 350° BECO PLUS | 17 | 47 | 14 | 120 | 320 | 4,52 | 6,55 |
| 6304 BHTS ZZ 350° BECO PLUS | 20 | 52 | 15 | 140 | 280 | 5,86 | 8,50 |
| 6305 BHTS ZZ 350° BECO PLUS | 25 | 62 | 17 | 225 | 220 | 7,86 | 11,4 |
| 6306 BHTS ZZ 350° BECO PLUS | 30 | 72 | 19 | 350 | 190 | 11,24 | 16,3 |
| 6307 BHTS ZZ 350° BECO PLUS | 35 | 80 | 21 | 450 | 170 | 13,10 | 19,0 |
| 6308 BHTS ZZ 350° BECO PLUS | 40 | 90 | 23 | 620 | 150 | 17,24 | 25,0 |
| 6309 BHTS ZZ 350° BECO PLUS | 45 | 100 | 25 | 830 | 134 | 22,06 | 32,0 |
| 6310 BHTS ZZ 350° BECO PLUS | 50 | 110 | 27 | 1050 | 120 | 26,21 | 38,0 |
| 6311 BHTS ZZ 350° BECO PLUS | 55 | 120 | 29 | 1350 | 106 | 32,76 | 47,5 |
| 6312 BHTS ZZ 350° BECO PLUS | 60 | 130 | 31 | 1700 | 100 | 35,86 | 52,0 |
| 6313 BHTS ZZ 350° BECO PLUS | 65 | 140 | 33 | 2100 | 100 | 41,38 | 60,0 |
| 6314 BHTS ZZ 350° BECO PLUS | 70 | 150 | 35 | 2500 | 100 | 46,90 | 68,0 |
| 6315 BHTS ZZ 350° BECO PLUS | 75 | 160 | 37 | 3000 | 100 | 52,76 | 76,5 |

BHTS ZZ 350° BECO PLUS (UC)



: 10° / 350°C

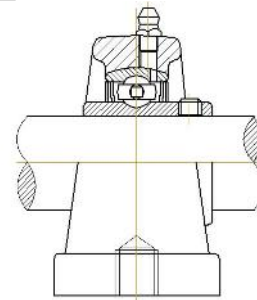
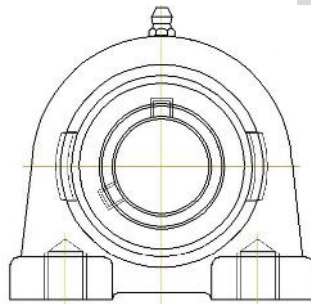
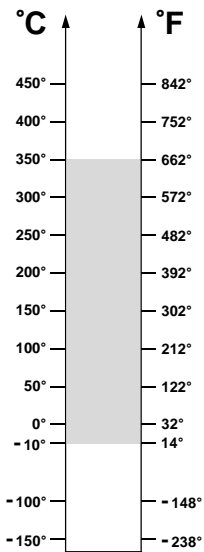
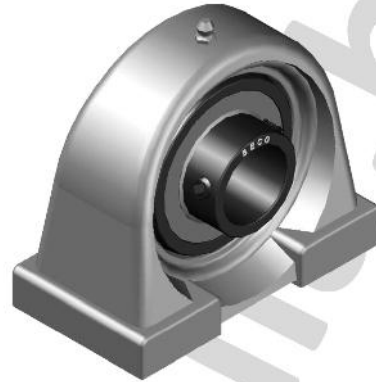


: 250° / 350°C



| | (B) | (D) | A | A1 | A2 | N | | / | , kN 350°C | , kN 20°C |
|--------------------------------------|-----|-----|--------|------|------|----------|------|-----|---------------|--------------|
| UC 201 BHTS ZZ 350° BECO PLUS | 12 | 47 | 13 ± 2 | 11,5 | 15,9 | M6x0,75 | 200 | 300 | 4,55 | 6,60 |
| UC 202 BHTS ZZ 350° BECO PLUS | 15 | 47 | 13 ± 2 | 11,5 | 15,9 | M6x0,75 | 200 | 300 | 4,55 | 6,60 |
| UC 203 BHTS ZZ 350° BECO PLUS | 17 | 47 | 13 ± 2 | 11,5 | 15,9 | M6x0,75 | 200 | 300 | 4,55 | 6,60 |
| UC 204 BHTS ZZ 350° BECO PLUS | 20 | 47 | 15 ± 2 | 12,7 | 18,3 | M6x0,75 | 250 | 300 | 4,55 | 6,60 |
| UC 205 BHTS ZZ 350° BECO PLUS | 25 | 52 | 16 ± 1 | 14,3 | 19,8 | M6x0,75 | 300 | 280 | 5,39 | 7,80 |
| UC 206 BHTS ZZ 350° BECO PLUS | 30 | 62 | 17 ± 2 | 15,9 | 22,2 | M6x0,75 | 350 | 220 | 7,72 | 11,2 |
| UC 207 BHTS ZZ 350° BECO PLUS | 35 | 72 | 18 ± 2 | 17,5 | 25,4 | M8x1,00 | 500 | 200 | 10,4 | 15,1 |
| UC 208 BHTS ZZ 350° BECO PLUS | 40 | 80 | 19 ± 2 | 19,0 | 30,2 | M8x1,00 | 700 | 170 | 12,6 | 18,2 |
| UC 209 BHTS ZZ 350° BECO PLUS | 45 | 85 | 20 ± 2 | 19,0 | 30,2 | M8x1,00 | 800 | 160 | 14,2 | 20,6 |
| UC 210 BHTS ZZ 350° BECO PLUS | 50 | 90 | 22 ± 2 | 19,0 | 32,6 | M10x1,25 | 900 | 150 | 15,9 | 23,1 |
| UC 211 BHTS ZZ 350° BECO PLUS | 55 | 100 | 23 ± 2 | 22,2 | 33,4 | M10x1,25 | 1300 | 134 | 20,0 | 29,0 |
| UC 212 BHTS ZZ 350° BECO PLUS | 60 | 110 | 24 ± 3 | 25,4 | 39,7 | M10x1,25 | 1700 | 120 | 22,5 | 32,6 |
| UC 213 BHTS ZZ 350° BECO PLUS | 65 | 120 | 27 ± 5 | 25,4 | 39,7 | M10x1,25 | 1900 | 106 | 27,4 | 39,8 |
| UC 214 BHTS ZZ 350° BECO PLUS | 70 | 125 | 28 ± 5 | 30,2 | 44,4 | M12x1,50 | 2100 | 100 | 30,8 | 44,7 |
| UC 215 BHTS ZZ 350° BECO PLUS | 75 | 130 | 29 ± 5 | 33,3 | 44,5 | M12x1,50 | 2200 | 100 | 33,9 | 49,2 |

BHTS ZZ 350° BECO PLUS (UCPA)

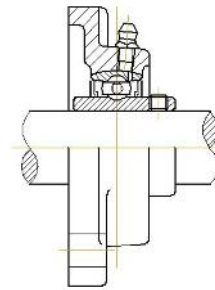
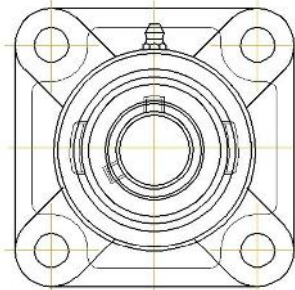
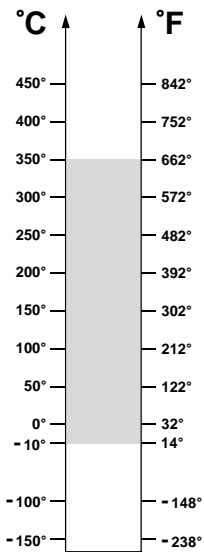
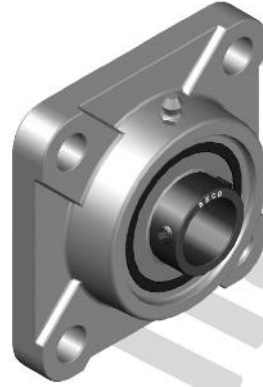


: 10° / 350°C

: 250° / 350°C

| | | |
|--|-------------------------------|-----------|
| UCPA 201 BHTS ZZ 350° BECO PLUS | UC 201 BHTS ZZ 350° BECO PLUS | PA 204 SS |
| UCPA 202 BHTS ZZ 350° BECO PLUS | UC 202 BHTS ZZ 350° BECO PLUS | PA 204 SS |
| UCPA 203 BHTS ZZ 350° BECO PLUS | UC 203 BHTS ZZ 350° BECO PLUS | PA 204 SS |
| UCPA 204 BHTS ZZ 350° BECO PLUS | UC 204 BHTS ZZ 350° BECO PLUS | PA 204 SS |
| UCPA 205 BHTS ZZ 350° BECO PLUS | UC 205 BHTS ZZ 350° BECO PLUS | PA 205 SS |
| UCPA 206 BHTS ZZ 350° BECO PLUS | UC 206 BHTS ZZ 350° BECO PLUS | PA 206 SS |
| UCPA 207 BHTS ZZ 350° BECO PLUS | UC 207 BHTS ZZ 350° BECO PLUS | PA 207 SS |
| UCPA 208 BHTS ZZ 350° BECO PLUS | UC 208 BHTS ZZ 350° BECO PLUS | PA 208 SS |
| UCPA 209 BHTS ZZ 350° BECO PLUS | UC 209 BHTS ZZ 350° BECO PLUS | PA 209 SS |
| UCPA 210 BHTS ZZ 350° BECO PLUS | UC 210 BHTS ZZ 350° BECO PLUS | PA 210 SS |

BHTS ZZ 350° BECO PLUS (UCF)

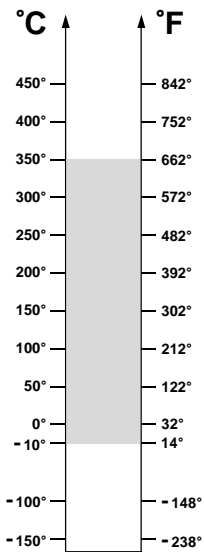


: 10° / 350°C

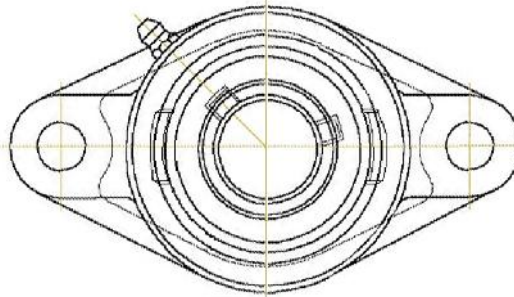
: 250° / 350°C

| | | |
|---------------------------------------|-------------------------------|----------|
| UCF 201 BHTS ZZ 350° BECO PLUS | UC 201 BHTS ZZ 350° BECO PLUS | F 204 SS |
| UCF 202 BHTS ZZ 350° BECO PLUS | UC 202 BHTS ZZ 350° BECO PLUS | F 204 SS |
| UCF 203 BHTS ZZ 350° BECO PLUS | UC 203 BHTS ZZ 350° BECO PLUS | F 204 SS |
| UCF 204 BHTS ZZ 350° BECO PLUS | UC 204 BHTS ZZ 350° BECO PLUS | F 204 SS |
| UCF 205 BHTS ZZ 350° BECO PLUS | UC 205 BHTS ZZ 350° BECO PLUS | F 205 SS |
| UCF 206 BHTS ZZ 350° BECO PLUS | UC 206 BHTS ZZ 350° BECO PLUS | F 206 SS |
| UCF 207 BHTS ZZ 350° BECO PLUS | UC 207 BHTS ZZ 350° BECO PLUS | F 207 SS |
| UCF 208 BHTS ZZ 350° BECO PLUS | UC 208 BHTS ZZ 350° BECO PLUS | F 208 SS |
| UCF 209 BHTS ZZ 350° BECO PLUS | UC 209 BHTS ZZ 350° BECO PLUS | F 209 SS |
| UCF 210 BHTS ZZ 350° BECO PLUS | UC 210 BHTS ZZ 350° BECO PLUS | F 210 SS |
| UCF 211 BHTS ZZ 350° BECO PLUS | UC 211 BHTS ZZ 350° BECO PLUS | F 211 SS |
| UCF 212 BHTS ZZ 350° BECO PLUS | UC 212 BHTS ZZ 350° BECO PLUS | F 212 SS |
| UCF 213 BHTS ZZ 350° BECO PLUS | UC 213 BHTS ZZ 350° BECO PLUS | F 213 SS |
| UCF 214 BHTS ZZ 350° BECO PLUS | UC 214 BHTS ZZ 350° BECO PLUS | F 214 SS |
| UCF 215 BHTS ZZ 350° BECO PLUS | UC 215 BHTS ZZ 350° BECO PLUS | F 215 SS |

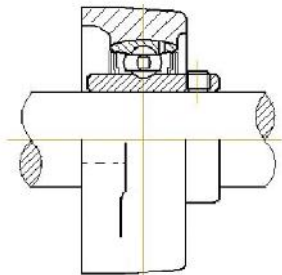
BHTS ZZ 350° BECO PLUS (UCFL)



: 10° / 350°C

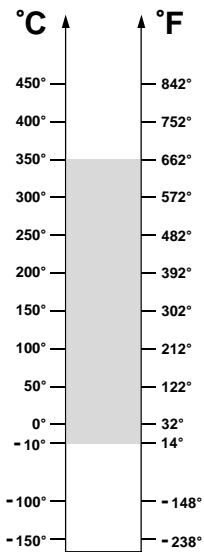


: 250° / 350°C

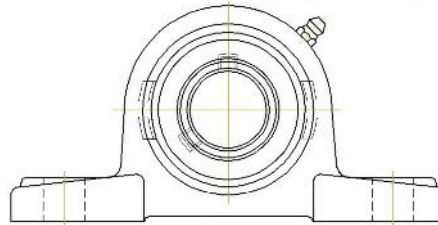


| | | |
|--|-------------------------------|-----------|
| UCFL 201 BHTS ZZ 350° BECO PLUS | UC 201 BHTS ZZ 350° BECO PLUS | FL 204 SS |
| UCFL 202 BHTS ZZ 350° BECO PLUS | UC 202 BHTS ZZ 350° BECO PLUS | FL 204 SS |
| UCFL 203 BHTS ZZ 350° BECO PLUS | UC 203 BHTS ZZ 350° BECO PLUS | FL 204 SS |
| UCFL 204 BHTS ZZ 350° BECO PLUS | UC 204 BHTS ZZ 350° BECO PLUS | FL 204 SS |
| UCFL 205 BHTS ZZ 350° BECO PLUS | UC 205 BHTS ZZ 350° BECO PLUS | FL 205 SS |
| UCFL 206 BHTS ZZ 350° BECO PLUS | UC 206 BHTS ZZ 350° BECO PLUS | FL 206 SS |
| UCFL 207 BHTS ZZ 350° BECO PLUS | UC 207 BHTS ZZ 350° BECO PLUS | FL 207 SS |
| UCFL 208 BHTS ZZ 350° BECO PLUS | UC 208 BHTS ZZ 350° BECO PLUS | FL 208 SS |
| UCFL 209 BHTS ZZ 350° BECO PLUS | UC 209 BHTS ZZ 350° BECO PLUS | FL 209 SS |
| UCFL 210 BHTS ZZ 350° BECO PLUS | UC 210 BHTS ZZ 350° BECO PLUS | FL 210 SS |
| UCFL 211 BHTS ZZ 350° BECO PLUS | UC 211 BHTS ZZ 350° BECO PLUS | FL 211 SS |
| UCFL 212 BHTS ZZ 350° BECO PLUS | UC 212 BHTS ZZ 350° BECO PLUS | FL 212 SS |

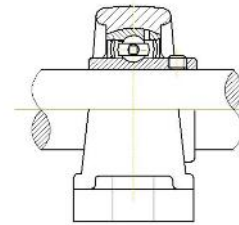
BHTS ZZ 350° BECO PLUS (UCP)



: 10° / 350°C

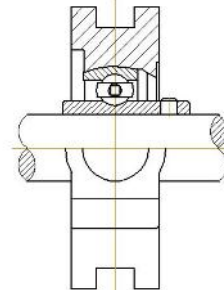
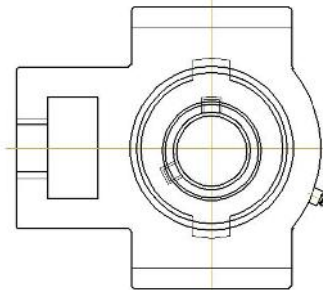
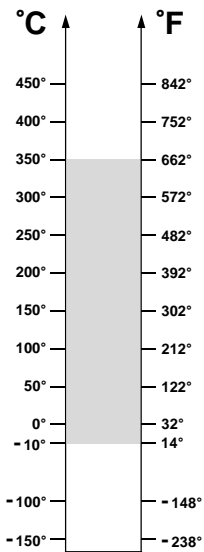
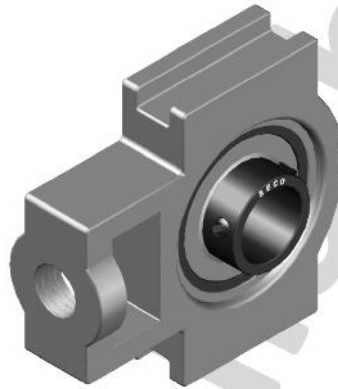


: 250° / 350°C



| | | |
|---------------------------------------|-------------------------------|----------|
| UCP 201 BHTS ZZ 350° BECO PLUS | UC 201 BHTS ZZ 350° BECO PLUS | P 204 SS |
| UCP 202 BHTS ZZ 350° BECO PLUS | UC 202 BHTS ZZ 350° BECO PLUS | P 204 SS |
| UCP 203 BHTS ZZ 350° BECO PLUS | UC 203 BHTS ZZ 350° BECO PLUS | P 204 SS |
| UCP 204 BHTS ZZ 350° BECO PLUS | UC 204 BHTS ZZ 350° BECO PLUS | P 204 SS |
| UCP 205 BHTS ZZ 350° BECO PLUS | UC 205 BHTS ZZ 350° BECO PLUS | P 205 SS |
| UCP 206 BHTS ZZ 350° BECO PLUS | UC 206 BHTS ZZ 350° BECO PLUS | P 206 SS |
| UCP 207 BHTS ZZ 350° BECO PLUS | UC 207 BHTS ZZ 350° BECO PLUS | P 207 SS |
| UCP 208 BHTS ZZ 350° BECO PLUS | UC 208 BHTS ZZ 350° BECO PLUS | P 208 SS |
| UCP 209 BHTS ZZ 350° BECO PLUS | UC 209 BHTS ZZ 350° BECO PLUS | P 209 SS |
| UCP 210 BHTS ZZ 350° BECO PLUS | UC 210 BHTS ZZ 350° BECO PLUS | P 210 SS |
| UCP 211 BHTS ZZ 350° BECO PLUS | UC 211 BHTS ZZ 350° BECO PLUS | P 211 SS |
| UCP 212 BHTS ZZ 350° BECO PLUS | UC 212 BHTS ZZ 350° BECO PLUS | P 212 SS |
| UCP 213 BHTS ZZ 350° BECO PLUS | UC 213 BHTS ZZ 350° BECO PLUS | P 213 SS |
| UCP 214 BHTS ZZ 350° BECO PLUS | UC 214 BHTS ZZ 350° BECO PLUS | P 214 SS |
| UCP 215 BHTS ZZ 350° BECO PLUS | UC 215 BHTS ZZ 350° BECO PLUS | P 215 SS |

BHTS ZZ 350° BECO PLUS (UCT)



: 10° / 350°C

: 250° / 350°C

| | | |
|---------------------------------------|-------------------------------|----------|
| UCT 201 BHTS ZZ 350° BECO PLUS | UC 201 BHTS ZZ 350° BECO PLUS | T 204 SS |
| UCT 202 BHTS ZZ 350° BECO PLUS | UC 202 BHTS ZZ 350° BECO PLUS | T 204 SS |
| UCT 203 BHTS ZZ 350° BECO PLUS | UC 203 BHTS ZZ 350° BECO PLUS | T 204 SS |
| UCT 204 BHTS ZZ 350° BECO PLUS | UC 204 BHTS ZZ 350° BECO PLUS | T 204 SS |
| UCT 205 BHTS ZZ 350° BECO PLUS | UC 205 BHTS ZZ 350° BECO PLUS | T 205 SS |
| UCT 206 BHTS ZZ 350° BECO PLUS | UC 206 BHTS ZZ 350° BECO PLUS | T 206 SS |
| UCT 207 BHTS ZZ 350° BECO PLUS | UC 207 BHTS ZZ 350° BECO PLUS | T 207 SS |
| UCT 208 BHTS ZZ 350° BECO PLUS | UC 208 BHTS ZZ 350° BECO PLUS | T 208 SS |
| UCT 209 BHTS ZZ 350° BECO PLUS | UC 209 BHTS ZZ 350° BECO PLUS | T 209 SS |
| UCT 210 BHTS ZZ 350° BECO PLUS | UC 210 BHTS ZZ 350° BECO PLUS | T 210 SS |
| UCT 211 BHTS ZZ 350° BECO PLUS | UC 211 BHTS ZZ 350° BECO PLUS | T 211 SS |
| UCT 212 BHTS ZZ 350° BECO PLUS | UC 212 BHTS ZZ 350° BECO PLUS | T 212 SS |



BHTS ZZ GR CG 350°

BHTS ZZ GR CG 350°

280° 350° 50° +350°

AISI 52100

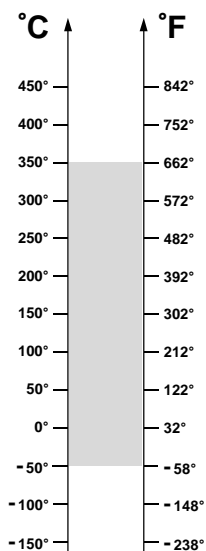
4xC5

ZZ

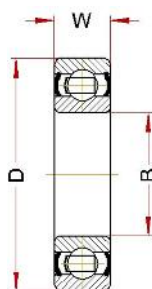
« »



BHTS ZZ GR CG 350° (6000)



: 50° / 350°C

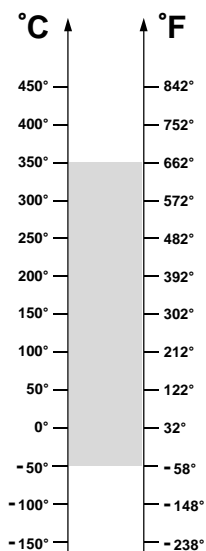


: 250° / 350°C

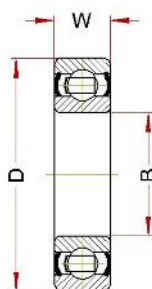


| | (B) | (D) | (W) | ' | / | , kN 350°C | , kN 20°C |
|-------------------------|-----|-----|-----|-----|----|---------------|--------------|
| 6000 BHTS ZZ GR CG 350° | 10 | 26 | 8 | 20 | 90 | 1,35 | 1,96 |
| 6001 BHTS ZZ GR CG 350° | 12 | 28 | 8 | 25 | 85 | 1,63 | 2,36 |
| 6002 BHTS ZZ GR CG 350° | 15 | 32 | 9 | 30 | 80 | 1,97 | 2,85 |
| 6003 BHTS ZZ GR CG 350° | 17 | 35 | 10 | 40 | 75 | 2,24 | 3,25 |
| 6004 BHTS ZZ GR CG 350° | 20 | 42 | 12 | 69 | 70 | 3,45 | 5,00 |
| 6005 BHTS ZZ GR CG 350° | 25 | 47 | 12 | 80 | 65 | 4,03 | 5,85 |
| 6006 BHTS ZZ GR CG 350° | 30 | 55 | 13 | 120 | 60 | 5,52 | 8,00 |
| 6007 BHTS ZZ GR CG 350° | 35 | 62 | 14 | 160 | 55 | 7,17 | 10,4 |
| 6008 BHTS ZZ GR CG 350° | 40 | 68 | 15 | 190 | 50 | 8,14 | 11,8 |
| 6009 BHTS ZZ GR CG 350° | 45 | 75 | 16 | 250 | 45 | 9,86 | 14,3 |
| 6010 BHTS ZZ GR CG 350° | 50 | 80 | 16 | 260 | 40 | 10,76 | 15,6 |
| 6011 BHTS ZZ GR CG 350° | 55 | 90 | 18 | 390 | 40 | 14,62 | 21,2 |
| 6012 BHTS ZZ GR CG 350° | 60 | 95 | 18 | 420 | 40 | 16,00 | 23,2 |
| 6013 BHTS ZZ GR CG 350° | 65 | 100 | 18 | 440 | 40 | 17,24 | 25,0 |
| 6014 BHTS ZZ GR CG 350° | 70 | 110 | 20 | 600 | 40 | 21,72 | 31,5 |
| 6015 BHTS ZZ GR CG 350° | 75 | 115 | 20 | 640 | 40 | 23,45 | 34,0 |

BHTS ZZ GR CG 350° (6200)



: 50° / 350°C

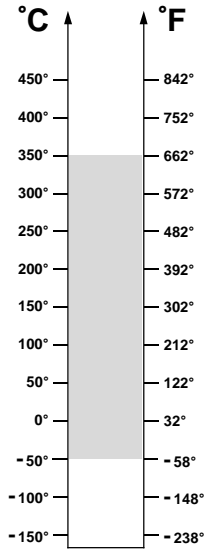


: 250° / 350°C

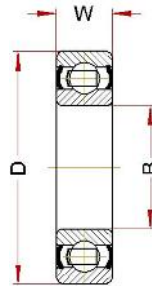


| | (B) | (D) | (W) | ' | / | , kN 350°C | , kN 20°C |
|-------------------------|-----|-----|-----|------|----|---------------|--------------|
| 6200 BHTS ZZ GR CG 350° | 10 | 30 | 9 | 30 | 90 | 1,79 | 2,60 |
| 6201 BHTS ZZ GR CG 350° | 12 | 32 | 10 | 37 | 85 | 2,14 | 3,10 |
| 6202 BHTS ZZ GR CG 350° | 15 | 35 | 11 | 45 | 80 | 2,59 | 3,75 |
| 6203 BHTS ZZ GR CG 350° | 17 | 40 | 12 | 65 | 75 | 3,27 | 4,75 |
| 6204 BHTS ZZ GR CG 350° | 20 | 47 | 14 | 110 | 70 | 4,52 | 6,55 |
| 6205 BHTS ZZ GR CG 350° | 25 | 52 | 15 | 130 | 65 | 5,52 | 8,00 |
| 6206 BHTS ZZ GR CG 350° | 30 | 62 | 16 | 200 | 60 | 7,72 | 11,2 |
| 6207 BHTS ZZ GR CG 350° | 35 | 72 | 17 | 290 | 55 | 10,55 | 15,3 |
| 6208 BHTS ZZ GR CG 350° | 40 | 80 | 18 | 370 | 50 | 12,41 | 18,0 |
| 6209 BHTS ZZ GR CG 350° | 45 | 85 | 19 | 410 | 45 | 14,06 | 20,4 |
| 6210 BHTS ZZ GR CG 350° | 50 | 90 | 20 | 460 | 40 | 16,55 | 24,0 |
| 6211 BHTS ZZ GR CG 350° | 55 | 100 | 21 | 610 | 40 | 20,00 | 29,0 |
| 6212 BHTS ZZ GR CG 350° | 60 | 110 | 22 | 780 | 40 | 24,83 | 36,0 |
| 6213 BHTS ZZ GR CG 350° | 65 | 120 | 23 | 990 | 40 | 28,62 | 41,5 |
| 6214 BHTS ZZ GR CG 350° | 70 | 125 | 24 | 1040 | 40 | 30,34 | 44,0 |
| 6215 BHTS ZZ GR CG 350° | 75 | 130 | 25 | 1210 | 40 | 33,79 | 49,0 |

BHTS ZZ GR CG 350° (6300)



: 50° / 350°C

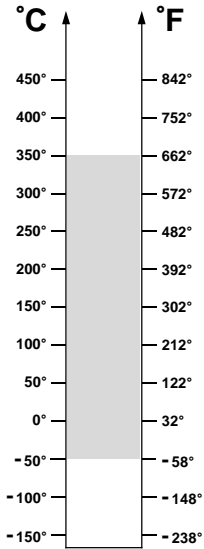


: 250° / 350°C

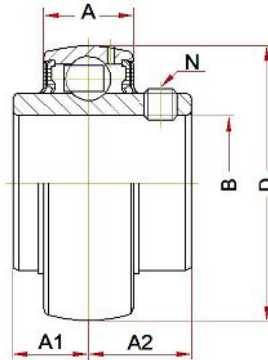


| | (B) | (D) | (W) | ' | / | , kN 350°C | , kN 20°C |
|-------------------------|-----|-----|-----|------|----|---------------|--------------|
| 6300 BHTS ZZ GR CG 350° | 10 | 35 | 11 | 52 | 90 | 2,38 | 3,45 |
| 6301 BHTS ZZ GR CG 350° | 12 | 37 | 12 | 60 | 85 | 2,86 | 4,15 |
| 6302 BHTS ZZ GR CG 350° | 15 | 42 | 13 | 80 | 80 | 3,72 | 5,40 |
| 6303 BHTS ZZ GR CG 350° | 17 | 47 | 14 | 120 | 75 | 4,52 | 6,55 |
| 6304 BHTS ZZ GR CG 350° | 20 | 52 | 15 | 140 | 70 | 5,86 | 8,50 |
| 6305 BHTS ZZ GR CG 350° | 25 | 62 | 17 | 225 | 65 | 7,86 | 11,4 |
| 6306 BHTS ZZ GR CG 350° | 30 | 72 | 19 | 350 | 60 | 11,24 | 16,3 |
| 6307 BHTS ZZ GR CG 350° | 35 | 80 | 21 | 450 | 55 | 13,10 | 19,0 |
| 6308 BHTS ZZ GR CG 350° | 40 | 90 | 23 | 620 | 50 | 17,24 | 25,0 |
| 6309 BHTS ZZ GR CG 350° | 45 | 100 | 25 | 830 | 45 | 22,06 | 32,0 |
| 6310 BHTS ZZ GR CG 350° | 50 | 110 | 27 | 1050 | 40 | 26,20 | 38,0 |
| 6311 BHTS ZZ GR CG 350° | 55 | 120 | 29 | 1350 | 40 | 32,76 | 47,5 |
| 6312 BHTS ZZ GR CG 350° | 60 | 130 | 31 | 1700 | 40 | 35,86 | 52,0 |
| 6313 BHTS ZZ GR CG 350° | 65 | 140 | 33 | 2100 | 40 | 41,38 | 60,0 |
| 6314 BHTS ZZ GR CG 350° | 70 | 150 | 35 | 2500 | 40 | 46,90 | 68,0 |
| 6315 BHTS ZZ GR CG 350° | 75 | 160 | 37 | 3000 | 40 | 52,76 | 76,5 |

BHTS ZZ GR CG 350° (UC)



: 50° / 350°C

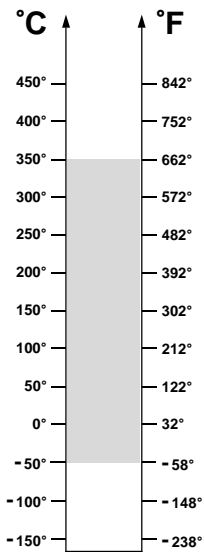
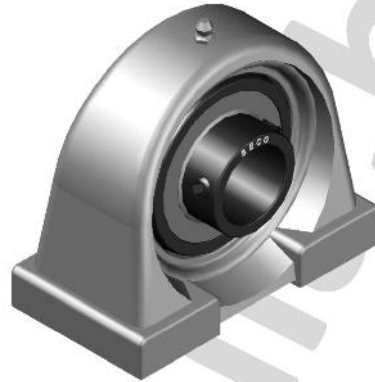


: 250° / 350°C

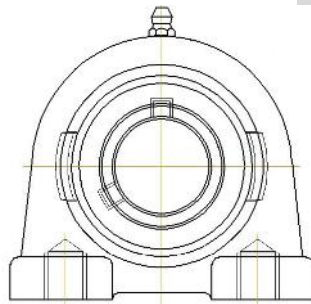


| | (B) | (D) | A | A1 | A2 | N | | / | , kN 350°C | , kN 20°C |
|---------------------------|-----|-----|--------|------|------|----------|------|----|---------------|--------------|
| UC 201 BHTS ZZ GR CG 350° | 12 | 47 | 13 ± 2 | 11,5 | 15,9 | M6x0,75 | 200 | 85 | 4,55 | 6,6 |
| UC 202 BHTS ZZ GR CG 350° | 15 | 47 | 13 ± 2 | 11,5 | 15,9 | M6x0,75 | 200 | 80 | 4,55 | 6,6 |
| UC 203 BHTS ZZ GR CG 350° | 17 | 47 | 13 ± 2 | 11,5 | 15,9 | M6x0,75 | 200 | 75 | 4,55 | 6,6 |
| UC 204 BHTS ZZ GR CG 350° | 20 | 47 | 15 ± 2 | 12,7 | 18,3 | M6x0,75 | 250 | 70 | 4,55 | 6,6 |
| UC 205 BHTS ZZ GR CG 350° | 25 | 52 | 16 ± 1 | 14,3 | 19,8 | M6x0,75 | 300 | 65 | 5,39 | 7,8 |
| UC 206 BHTS ZZ GR CG 350° | 30 | 62 | 17 ± 2 | 15,9 | 22,2 | M6x0,75 | 350 | 60 | 7,72 | 11,2 |
| UC 207 BHTS ZZ GR CG 350° | 35 | 72 | 18 ± 2 | 17,5 | 25,4 | M8x1,00 | 500 | 55 | 10,4 | 15,1 |
| UC 208 BHTS ZZ GR CG 350° | 40 | 80 | 19 ± 2 | 19,0 | 30,2 | M8x1,00 | 700 | 50 | 12,6 | 18,2 |
| UC 209 BHTS ZZ GR CG 350° | 45 | 85 | 20 ± 2 | 19,0 | 30,2 | M8x1,00 | 800 | 45 | 14,2 | 20,6 |
| UC 210 BHTS ZZ GR CG 350° | 50 | 90 | 22 ± 2 | 19,0 | 32,6 | M10x1,25 | 900 | 40 | 15,9 | 23,1 |
| UC 211 BHTS ZZ GR CG 350° | 55 | 100 | 23 ± 2 | 22,2 | 33,4 | M10x1,25 | 1300 | 40 | 20,0 | 29,0 |
| UC 212 BHTS ZZ GR CG 350° | 60 | 110 | 24 ± 3 | 25,4 | 39,7 | M10x1,25 | 1700 | 40 | 22,5 | 32,6 |
| UC 213 BHTS ZZ GR CG 350° | 65 | 120 | 27 ± 5 | 25,4 | 39,7 | M10x1,25 | 1900 | 40 | 27,4 | 39,8 |
| UC 214 BHTS ZZ GR CG 350° | 70 | 125 | 28 ± 5 | 30,2 | 44,4 | M12x1,50 | 2100 | 40 | 30,8 | 44,7 |
| UC 215 BHTS ZZ GR CG 350° | 75 | 130 | 29 ± 5 | 33,3 | 44,5 | M12x1,50 | 2200 | 40 | 33,9 | 49,2 |

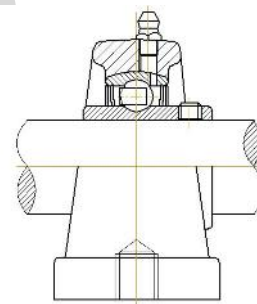
BHTS ZZ GR CG 350° (UCPA)



: 50° / 350°C

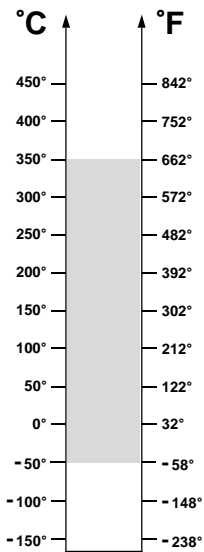
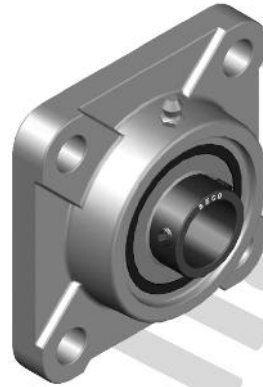


: 250° / 350°C

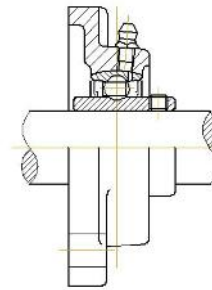
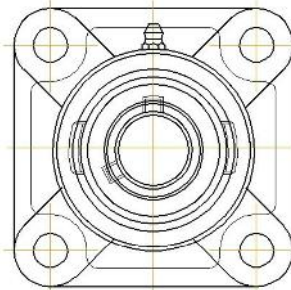


| | | |
|------------------------------------|---------------------------|-----------|
| UCPA 201 BHTS ZZ GR CG 350° | UC 201 BHTS ZZ GR CG 350° | PA 204 SS |
| UCPA 202 BHTS ZZ GR CG 350° | UC 202 BHTS ZZ GR CG 350° | PA 204 SS |
| UCPA 203 BHTS ZZ GR CG 350° | UC 203 BHTS ZZ GR CG 350° | PA 204 SS |
| UCPA 204 BHTS ZZ GR CG 350° | UC 204 BHTS ZZ GR CG 350° | PA 204 SS |
| UCPA 205 BHTS ZZ GR CG 350° | UC 205 BHTS ZZ GR CG 350° | PA 205 SS |
| UCPA 206 BHTS ZZ GR CG 350° | UC 206 BHTS ZZ GR CG 350° | PA 206 SS |
| UCPA 207 BHTS ZZ GR CG 350° | UC 207 BHTS ZZ GR CG 350° | PA 207 SS |
| UCPA 208 BHTS ZZ GR CG 350° | UC 208 BHTS ZZ GR CG 350° | PA 208 SS |
| UCPA 209 BHTS ZZ GR CG 350° | UC 209 BHTS ZZ GR CG 350° | PA 209 SS |
| UCPA 210 BHTS ZZ GR CG 350° | UC 210 BHTS ZZ GR CG 350° | PA 210 SS |

BHTS ZZ GR CG 350° (UCF)



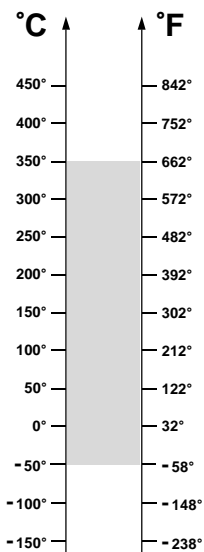
: 50° / 350°C



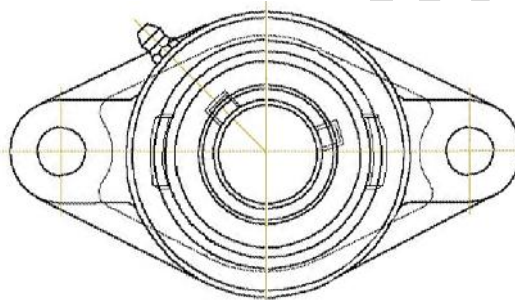
: 250° / 350°C

| | | |
|-----------------------------------|---------------------------|----------|
| UCF 201 BHTS ZZ GR CG 350° | UC 201 BHTS ZZ GR CG 350° | F 204 SS |
| UCF 202 BHTS ZZ GR CG 350° | UC 202 BHTS ZZ GR CG 350° | F 204 SS |
| UCF 203 BHTS ZZ GR CG 350° | UC 203 BHTS ZZ GR CG 350° | F 204 SS |
| UCF 204 BHTS ZZ GR CG 350° | UC 204 BHTS ZZ GR CG 350° | F 204 SS |
| UCF 205 BHTS ZZ GR CG 350° | UC 205 BHTS ZZ GR CG 350° | F 205 SS |
| UCF 206 BHTS ZZ GR CG 350° | UC 206 BHTS ZZ GR CG 350° | F 206 SS |
| UCF 207 BHTS ZZ GR CG 350° | UC 207 BHTS ZZ GR CG 350° | F 207 SS |
| UCF 208 BHTS ZZ GR CG 350° | UC 208 BHTS ZZ GR CG 350° | F 208 SS |
| UCF 209 BHTS ZZ GR CG 350° | UC 209 BHTS ZZ GR CG 350° | F 209 SS |
| UCF 210 BHTS ZZ GR CG 350° | UC 210 BHTS ZZ GR CG 350° | F 210 SS |
| UCF 211 BHTS ZZ GR CG 350° | UC 211 BHTS ZZ GR CG 350° | F 211 SS |
| UCF 212 BHTS ZZ GR CG 350° | UC 212 BHTS ZZ GR CG 350° | F 212 SS |
| UCF 213 BHTS ZZ GR CG 350° | UC 213 BHTS ZZ GR CG 350° | F 213 SS |
| UCF 214 BHTS ZZ GR CG 350° | UC 214 BHTS ZZ GR CG 350° | F 214 SS |
| UCF 215 BHTS ZZ GR CG 350° | UC 215 BHTS ZZ GR CG 350° | F 215 SS |

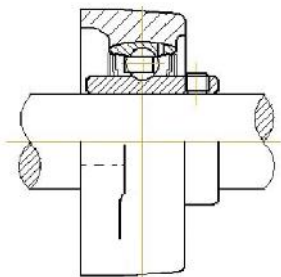
BHTS ZZ GR CG 350° (UCFL)



: 50° / 350°C

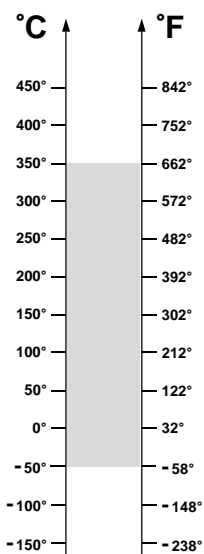


: 250° / 350°C

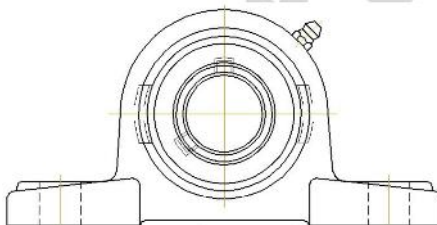
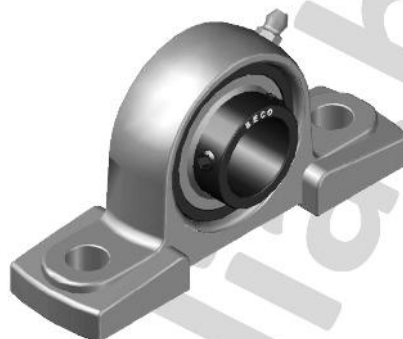


| | | |
|------------------------------------|---------------------------|-----------|
| UCFL 201 BHTS ZZ GR CG 350° | UC 201 BHTS ZZ GR CG 350° | FL 204 SS |
| UCFL 202 BHTS ZZ GR CG 350° | UC 202 BHTS ZZ GR CG 350° | FL 204 SS |
| UCFL 203 BHTS ZZ GR CG 350° | UC 203 BHTS ZZ GR CG 350° | FL 204 SS |
| UCFL 204 BHTS ZZ GR CG 350° | UC 204 BHTS ZZ GR CG 350° | FL 204 SS |
| UCFL 205 BHTS ZZ GR CG 350° | UC 205 BHTS ZZ GR CG 350° | FL 205 SS |
| UCFL 206 BHTS ZZ GR CG 350° | UC 206 BHTS ZZ GR CG 350° | FL 206 SS |
| UCFL 207 BHTS ZZ GR CG 350° | UC 207 BHTS ZZ GR CG 350° | FL 207 SS |
| UCFL 208 BHTS ZZ GR CG 350° | UC 208 BHTS ZZ GR CG 350° | FL 208 SS |
| UCFL 209 BHTS ZZ GR CG 350° | UC 209 BHTS ZZ GR CG 350° | FL 209 SS |
| UCFL 210 BHTS ZZ GR CG 350° | UC 210 BHTS ZZ GR CG 350° | FL 210 SS |
| UCFL 211 BHTS ZZ GR CG 350° | UC 211 BHTS ZZ GR CG 350° | FL 211 SS |
| UCFL 212 BHTS ZZ GR CG 350° | UC 212 BHTS ZZ GR CG 350° | FL 212 SS |

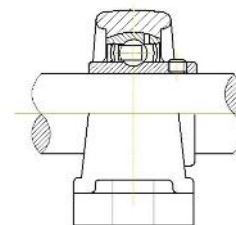
BHTS ZZ GR CG 350° (UCP)



: 50° / 350°C



: 250° / 350°C



| | | |
|-----------------------------------|---------------------------|----------|
| UCP 201 BHTS ZZ GR CG 350° | UC 201 BHTS ZZ GR CG 350° | P 204 SS |
| UCP 202 BHTS ZZ GR CG 350° | UC 202 BHTS ZZ GR CG 350° | P 204 SS |
| UCP 203 BHTS ZZ GR CG 350° | UC 203 BHTS ZZ GR CG 350° | P 204 SS |
| UCP 204 BHTS ZZ GR CG 350° | UC 204 BHTS ZZ GR CG 350° | P 204 SS |
| UCP 205 BHTS ZZ GR CG 350° | UC 205 BHTS ZZ GR CG 350° | P 205 SS |
| UCP 206 BHTS ZZ GR CG 350° | UC 206 BHTS ZZ GR CG 350° | P 206 SS |
| UCP 207 BHTS ZZ GR CG 350° | UC 207 BHTS ZZ GR CG 350° | P 207 SS |
| UCP 208 BHTS ZZ GR CG 350° | UC 208 BHTS ZZ GR CG 350° | P 208 SS |
| UCP 209 BHTS ZZ GR CG 350° | UC 209 BHTS ZZ GR CG 350° | P 209 SS |
| UCP 210 BHTS ZZ GR CG 350° | UC 210 BHTS ZZ GR CG 350° | P 210 SS |
| UCP 211 BHTS ZZ GR CG 350° | UC 211 BHTS ZZ GR CG 350° | P 211 SS |
| UCP 212 BHTS ZZ GR CG 350° | UC 212 BHTS ZZ GR CG 350° | P 212 SS |
| UCP 213 BHTS ZZ GR CG 350° | UC 213 BHTS ZZ GR CG 350° | P 213 SS |
| UCP 214 BHTS ZZ GR CG 350° | UC 214 BHTS ZZ GR CG 350° | P 214 SS |
| UCP 215 BHTS ZZ GR CG 350° | UC 215 BHTS ZZ GR CG 350° | P 215 SS |



BHTS ZZ FB 375° BECO PLUS

BHTS ZZ FB 375° BECO PLUS

+375° BHTS ZZ FB 375° BECO PLUS +375°C.

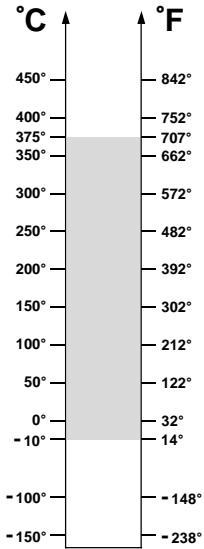
250° 375° 10°

BECO, BECO BHTS ZZ FB 375° BECO PLUS 375°C,

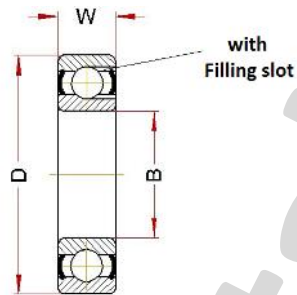
ZZ 4xC5 AISI 52100 BECO 375°C



BHTS ZZ FB 375° BECO PLUS (6200)



: 10° / 375°C

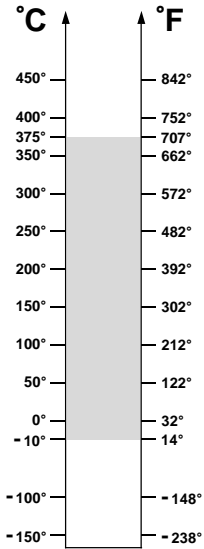


: 250° / 375°C

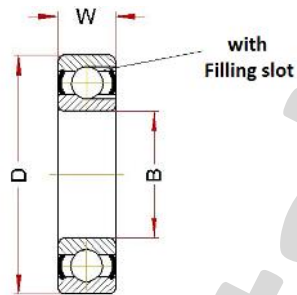


| | (B) | (D) | (W) | ' | / | , kN 375°C | , kN 20°C |
|---------------------------------------|-----|-----|-----|-----|----|---------------|--------------|
| 6200 BHTS ZZ FB 375° BECO PLUS | 10 | 30 | 9 | 31 | 90 | 1,79 | 2,60 |
| 6201 BHTS ZZ FB 375° BECO PLUS | 12 | 32 | 10 | 38 | 85 | 2,14 | 3,10 |
| 6202 BHTS ZZ FB 375° BECO PLUS | 15 | 35 | 11 | 47 | 80 | 2,59 | 3,75 |
| 6203 BHTS ZZ FB 375° BECO PLUS | 17 | 40 | 12 | 67 | 75 | 3,28 | 4,75 |
| 6204 BHTS ZZ FB 375° BECO PLUS | 20 | 47 | 14 | 114 | 70 | 4,52 | 6,55 |
| 6205 BHTS ZZ FB 375° BECO PLUS | 25 | 52 | 15 | 134 | 65 | 5,52 | 8,00 |
| 6206 BHTS ZZ FB 375° BECO PLUS | 30 | 62 | 16 | 206 | 60 | 7,72 | 11,2 |
| 6207 BHTS ZZ FB 375° BECO PLUS | 35 | 72 | 17 | 300 | 55 | 10,55 | 15,3 |
| 6208 BHTS ZZ FB 375° BECO PLUS | 40 | 80 | 18 | 382 | 50 | 12,41 | 18,0 |

BHTS ZZ FB 375° BECO PLUS (6300)



: 10° / 375°C



: 250° / 375°C



| | (B) | (D) | (W) | ' | ' / ' | , kN 375°C | , kN 20°C |
|---------------------------------------|-----|-----|-----|------|-------|---------------|--------------|
| 6300 BHTS ZZ FB 375° BECO PLUS | 10 | 35 | 11 | 54 | 90 | 2,38 | 3,45 |
| 6301 BHTS ZZ FB 375° BECO PLUS | 12 | 37 | 12 | 62 | 85 | 2,86 | 4,15 |
| 6302 BHTS ZZ FB 375° BECO PLUS | 15 | 42 | 13 | 83 | 80 | 3,72 | 5,40 |
| 6303 BHTS ZZ FB 375° BECO PLUS | 17 | 47 | 14 | 124 | 75 | 4,52 | 6,55 |
| 6304 BHTS ZZ FB 375° BECO PLUS | 20 | 52 | 15 | 145 | 70 | 5,86 | 8,50 |
| 6305 BHTS ZZ FB 375° BECO PLUS | 25 | 62 | 17 | 232 | 65 | 11,24 | 11,4 |
| 6306 BHTS ZZ FB 375° BECO PLUS | 30 | 72 | 19 | 360 | 60 | 13,10 | 16,3 |
| 6307 BHTS ZZ FB 375° BECO PLUS | 35 | 80 | 21 | 464 | 55 | 16,53 | 19,0 |
| 6308 BHTS ZZ FB 375° BECO PLUS | 40 | 90 | 23 | 638 | 50 | 17,20 | 25,0 |
| 6309 BHTS ZZ FB 375° BECO PLUS | 45 | 100 | 25 | 855 | 45 | 22,00 | 32,0 |
| 6310 BHTS ZZ FB 375° BECO PLUS | 50 | 110 | 27 | 1082 | 40 | 26,20 | 38,0 |



BHT FB 400°

BHT FB 400°

BHT FB 400°

280° 400°

40°

+400°

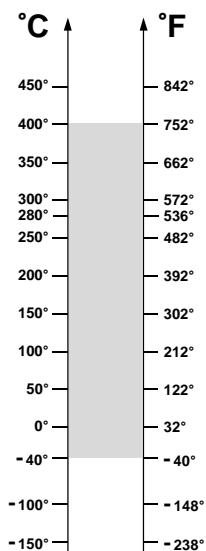
20

AISI 52100

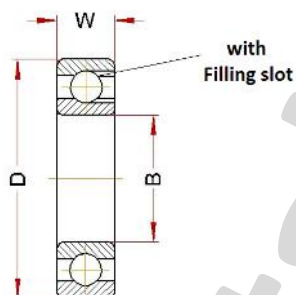
4xC5



BHT FB 400° (6000)



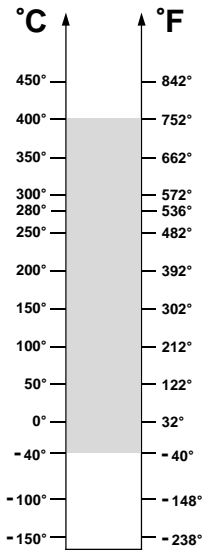
: 40° / 400°C



: 280° / 400°C

| | (B) | (D) | (W) | ' | ' / | , kN 400°C | , kN 20°C |
|-------------------------|-----|-----|-----|-----|-----|---------------|--------------|
| 6000 BHT FB 400° | 10 | 26 | 8 | 20 | 90 | 1,35 | 1,96 |
| 6001 BHT FB 400° | 12 | 28 | 8 | 25 | 85 | 1,63 | 2,36 |
| 6002 BHT FB 400° | 15 | 32 | 9 | 30 | 80 | 1,97 | 2,85 |
| 6003 BHT FB 400° | 17 | 35 | 10 | 40 | 75 | 2,24 | 3,25 |
| 6004 BHT FB 400° | 20 | 42 | 12 | 69 | 70 | 3,45 | 5,00 |
| 6005 BHT FB 400° | 25 | 47 | 12 | 80 | 65 | 4,03 | 5,85 |
| 6006 BHT FB 400° | 30 | 55 | 13 | 120 | 60 | 5,52 | 8,00 |
| 6007 BHT FB 400° | 35 | 62 | 14 | 160 | 55 | 7,17 | 10,4 |
| 6008 BHT FB 400° | 40 | 68 | 15 | 190 | 50 | 8,14 | 11,8 |
| 6009 BHT FB 400° | 45 | 75 | 16 | 250 | 45 | 9,86 | 14,3 |
| 6010 BHT FB 400° | 50 | 80 | 16 | 260 | 40 | 10,76 | 15,6 |
| 6011 BHT FB 400° | 55 | 90 | 18 | 390 | 40 | 14,62 | 21,2 |
| 6012 BHT FB 400° | 60 | 95 | 18 | 420 | 40 | 16,00 | 23,2 |
| 6013 BHT FB 400° | 65 | 100 | 18 | 440 | 40 | 17,24 | 25,0 |
| 6014 BHT FB 400° | 70 | 110 | 20 | 600 | 40 | 21,72 | 31,5 |
| 6015 BHT FB 400° | 75 | 115 | 20 | 640 | 40 | 23,45 | 34,0 |

BHT FB 400° (6200)



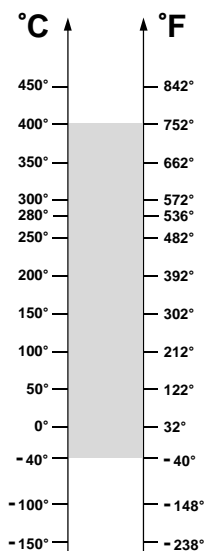
: 40° / 400°C



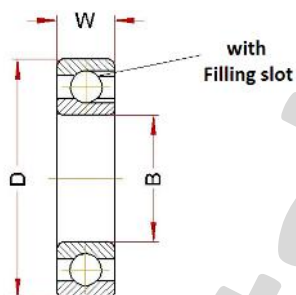
: 280° / 400°C

| | (B) | (D) | (W) | ' | ' / | , kN 400°C | , kN 20°C |
|-------------------------|-----|-----|-----|------|-----|---------------|--------------|
| 6200 BHT FB 400° | 10 | 30 | 9 | 30 | 90 | 1,79 | 2,60 |
| 6201 BHT FB 400° | 12 | 32 | 10 | 37 | 85 | 2,14 | 3,10 |
| 6202 BHT FB 400° | 15 | 35 | 11 | 45 | 80 | 2,59 | 3,75 |
| 6203 BHT FB 400° | 17 | 40 | 12 | 65 | 75 | 3,28 | 4,75 |
| 6204 BHT FB 400° | 20 | 47 | 14 | 110 | 70 | 4,52 | 6,55 |
| 6205 BHT FB 400° | 25 | 52 | 15 | 130 | 65 | 5,52 | 8,00 |
| 6206 BHT FB 400° | 30 | 62 | 16 | 200 | 60 | 7,72 | 11,2 |
| 6207 BHT FB 400° | 35 | 72 | 17 | 290 | 55 | 10,55 | 15,3 |
| 6208 BHT FB 400° | 40 | 80 | 18 | 370 | 50 | 12,41 | 18,0 |
| 6209 BHT FB 400° | 45 | 85 | 19 | 410 | 45 | 14,07 | 20,4 |
| 6210 BHT FB 400° | 50 | 90 | 20 | 460 | 40 | 16,55 | 24,0 |
| 6211 BHT FB 400° | 55 | 100 | 21 | 610 | 40 | 20,00 | 29,0 |
| 6212 BHT FB 400° | 60 | 110 | 22 | 780 | 40 | 24,83 | 36,0 |
| 6213 BHT FB 400° | 65 | 120 | 23 | 990 | 40 | 28,62 | 41,5 |
| 6214 BHT FB 400° | 70 | 125 | 24 | 1040 | 40 | 30,34 | 44,0 |
| 6215 BHT FB 400° | 75 | 130 | 25 | 1210 | 40 | 33,80 | 49,0 |

BHT FB 400° (6300)



: 40° / 400°C



: 280° / 400°C



| | (B) | (D) | (W) | ' | / | , kN 400°C | , kN 20°C |
|-------------------------|-----|-----|-----|------|----|---------------|--------------|
| 6300 BHT FB 400° | 10 | 35 | 11 | 52 | 90 | 2,38 | 3,45 |
| 6301 BHT FB 400° | 12 | 37 | 12 | 60 | 85 | 2,86 | 4,15 |
| 6302 BHT FB 400° | 15 | 42 | 13 | 80 | 80 | 3,72 | 5,40 |
| 6303 BHT FB 400° | 17 | 47 | 14 | 120 | 75 | 4,52 | 6,55 |
| 6304 BHT FB 400° | 20 | 52 | 15 | 140 | 70 | 5,86 | 8,50 |
| 6305 BHT FB 400° | 25 | 62 | 17 | 225 | 65 | 11,24 | 11,4 |
| 6306 BHT FB 400° | 30 | 72 | 19 | 350 | 60 | 13,10 | 16,3 |
| 6307 BHT FB 400° | 35 | 80 | 21 | 450 | 55 | 16,53 | 19,0 |
| 6308 BHT FB 400° | 40 | 90 | 23 | 620 | 50 | 17,20 | 25,0 |
| 6309 BHT FB 400° | 45 | 100 | 25 | 830 | 45 | 22,00 | 32,0 |
| 6310 BHT FB 400° | 50 | 110 | 27 | 1050 | 40 | 26,20 | 38,0 |
| 6311 BHT FB 400° | 55 | 120 | 29 | 1350 | 40 | 32,70 | 47,5 |
| 6312 BHT FB 400° | 60 | 130 | 31 | 1700 | 40 | 35,90 | 52,0 |
| 6313 BHT FB 400° | 65 | 140 | 33 | 2100 | 40 | 41,38 | 60,0 |
| 6314 BHT FB 400° | 70 | 150 | 35 | 2500 | 40 | 46,90 | 68,0 |
| 6315 BHT FB 400° | 75 | 160 | 37 | 3000 | 40 | 52,76 | 76,5 |



BHT FB 450° BECO PLUS

BHT FB 450° BECO PLUS

+450°

BHT FB 450° BECO PLUS

280°

450°

50°

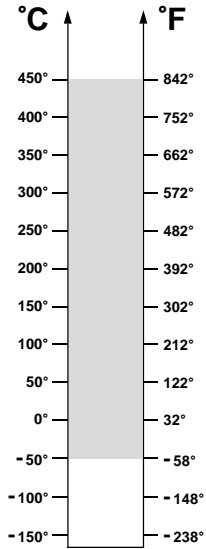
10

AISI 52100

4xC5



BHT FB 450° BECO PLUS (6000)

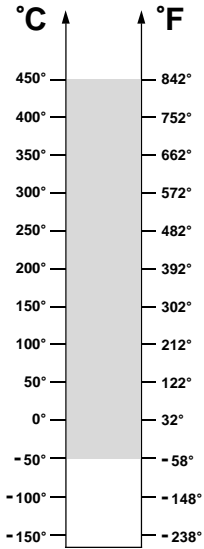


: 50° / 450°C

: 350° / 450°C

| | (B) | (D) | (W) | ' | ' | , kN 450°C | , kN 20°C |
|-----------------------------------|-----|-----|-----|-----|----|---------------|--------------|
| 6000 BHT FB 450° BECO PLUS | 10 | 26 | 8 | 20 | 90 | 1,22 | 1,96 |
| 6001 BHT FB 450° BECO PLUS | 12 | 28 | 8 | 25 | 85 | 1,47 | 2,36 |
| 6002 BHT FB 450° BECO PLUS | 15 | 32 | 9 | 30 | 80 | 1,78 | 2,85 |
| 6003 BHT FB 450° BECO PLUS | 17 | 35 | 10 | 40 | 75 | 2,03 | 3,25 |
| 6004 BHT FB 450° BECO PLUS | 20 | 42 | 12 | 69 | 70 | 3,12 | 5,00 |
| 6005 BHT FB 450° BECO PLUS | 25 | 47 | 12 | 80 | 65 | 3,65 | 5,85 |
| 6006 BHT FB 450° BECO PLUS | 30 | 55 | 13 | 120 | 60 | 5,00 | 8,00 |
| 6007 BHT FB 450° BECO PLUS | 35 | 62 | 14 | 160 | 55 | 6,50 | 10,4 |
| 6008 BHT FB 450° BECO PLUS | 40 | 68 | 15 | 190 | 50 | 7,37 | 11,8 |
| 6009 BHT FB 450° BECO PLUS | 45 | 75 | 16 | 250 | 45 | 8,93 | 14,3 |
| 6010 BHT FB 450° BECO PLUS | 50 | 80 | 16 | 260 | 40 | 9,75 | 15,6 |
| 6011 BHT FB 450° BECO PLUS | 55 | 90 | 18 | 390 | 40 | 13,2 | 21,2 |
| 6012 BHT FB 450° BECO PLUS | 60 | 95 | 18 | 420 | 40 | 14,5 | 23,2 |
| 6013 BHT FB 450° BECO PLUS | 65 | 100 | 18 | 440 | 40 | 15,6 | 25,0 |
| 6014 BHT FB 450° BECO PLUS | 70 | 110 | 20 | 600 | 40 | 19,6 | 31,5 |
| 6015 BHT FB 450° BECO PLUS | 75 | 115 | 20 | 640 | 40 | 21,2 | 34,0 |

BHT FB 450° BECO PLUS (6200)



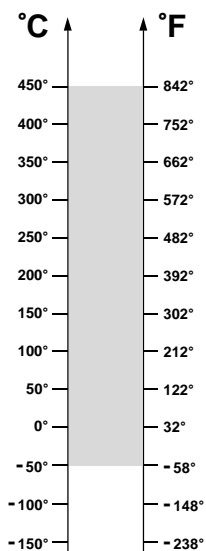
: 50° / 450°C



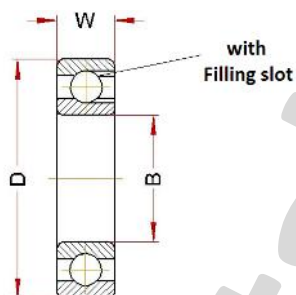
: 350° / 450°C

| | (B) | (D) | (W) | ' | ' / | , kN 450°C | , kN 20°C |
|-----------------------------------|-----|-----|-----|------|-----|---------------|--------------|
| 6200 BHT FB 450° BECO PLUS | 10 | 30 | 9 | 30 | 90 | 1,62 | 2,60 |
| 6201 BHT FB 450° BECO PLUS | 12 | 32 | 10 | 37 | 85 | 1,93 | 3,10 |
| 6202 BHT FB 450° BECO PLUS | 15 | 35 | 11 | 45 | 80 | 2,34 | 3,75 |
| 6203 BHT FB 450° BECO PLUS | 17 | 40 | 12 | 65 | 75 | 2,97 | 4,75 |
| 6204 BHT FB 450° BECO PLUS | 20 | 47 | 14 | 110 | 70 | 4,09 | 6,55 |
| 6205 BHT FB 450° BECO PLUS | 25 | 52 | 15 | 130 | 65 | 5,00 | 8,00 |
| 6206 BHT FB 450° BECO PLUS | 30 | 62 | 16 | 200 | 60 | 7,00 | 11,2 |
| 6207 BHT FB 450° BECO PLUS | 35 | 72 | 17 | 290 | 55 | 9,56 | 15,3 |
| 6208 BHT FB 450° BECO PLUS | 40 | 80 | 18 | 370 | 50 | 11,2 | 18,0 |
| 6209 BHT FB 450° BECO PLUS | 45 | 85 | 19 | 410 | 45 | 12,7 | 20,4 |
| 6210 BHT FB 450° BECO PLUS | 50 | 90 | 20 | 460 | 40 | 15,0 | 24,0 |
| 6211 BHT FB 450° BECO PLUS | 55 | 100 | 21 | 610 | 40 | 18,1 | 29,0 |
| 6212 BHT FB 450° BECO PLUS | 60 | 110 | 22 | 780 | 40 | 22,5 | 36,0 |
| 6213 BHT FB 450° BECO PLUS | 65 | 120 | 23 | 990 | 40 | 25,9 | 41,5 |
| 6214 BHT FB 450° BECO PLUS | 70 | 125 | 24 | 1040 | 40 | 27,5 | 44,0 |
| 6215 BHT FB 450° BECO PLUS | 75 | 130 | 25 | 1210 | 40 | 30,6 | 49,0 |

BHT FB 450° BECO PLUS (6300)



: 50° / 450°C



: 350° / 450°C

| | (B) | (D) | (W) | ' | ' / | , kN 450°C | , kN 20°C |
|-----------------------------------|-----|-----|-----|------|-----|---------------|--------------|
| 6300 BHT FB 450° BECO PLUS | 10 | 35 | 11 | 52 | 90 | 2,15 | 3,45 |
| 6301 BHT FB 450° BECO PLUS | 12 | 37 | 12 | 60 | 85 | 2,60 | 4,15 |
| 6302 BHT FB 450° BECO PLUS | 15 | 42 | 13 | 80 | 80 | 3,38 | 5,40 |
| 6303 BHT FB 450° BECO PLUS | 17 | 47 | 14 | 120 | 75 | 4,09 | 6,55 |
| 6304 BHT FB 450° BECO PLUS | 20 | 52 | 15 | 140 | 70 | 5,3 | 8,50 |
| 6305 BHT FB 450° BECO PLUS | 25 | 62 | 17 | 225 | 65 | 7,13 | 11,4 |
| 6306 BHT FB 450° BECO PLUS | 30 | 72 | 19 | 350 | 60 | 10,1 | 16,3 |
| 6307 BHT FB 450° BECO PLUS | 35 | 80 | 21 | 450 | 55 | 11,8 | 19,0 |
| 6308 BHT FB 450° BECO PLUS | 40 | 90 | 23 | 620 | 50 | 15,6 | 25,0 |
| 6309 BHT FB 450° BECO PLUS | 45 | 100 | 25 | 830 | 45 | 20,0 | 32,0 |
| 6310 BHT FB 450° BECO PLUS | 50 | 110 | 27 | 1050 | 40 | 23,7 | 38,0 |
| 6311 BHT FB 450° BECO PLUS | 55 | 120 | 29 | 1350 | 40 | 29,6 | 47,5 |
| 6312 BHT FB 450° BECO PLUS | 60 | 130 | 31 | 1700 | 40 | 32,5 | 52,0 |
| 6313 BHT FB 450° BECO PLUS | 65 | 140 | 33 | 2100 | 40 | 37,5 | 60,0 |
| 6314 BHT FB 450° BECO PLUS | 70 | 150 | 35 | 2500 | 40 | 42,5 | 68,0 |
| 6315 BHT FB 450° BECO PLUS | 75 | 160 | 37 | 3000 | 40 | 47,8 | 76,5 |



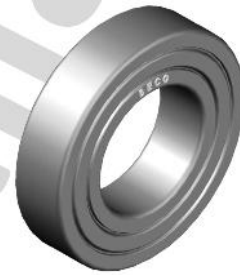
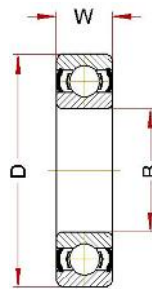
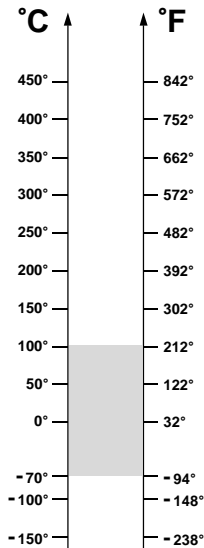
BLS ZZ -70°

BLS ZZ 70°
ZZ
70° +100°C.
BLS ZZ 70°

ZZ C4 : AISI 52100
70°C



BLS ZZ -70° (6000)

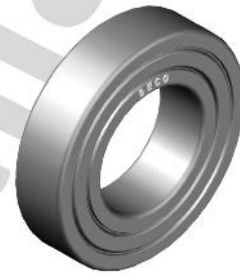
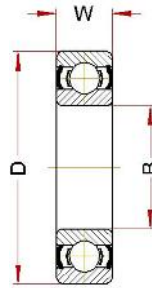
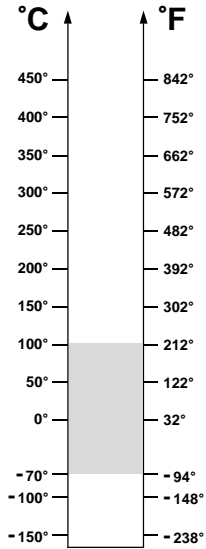


: 70° / 100°C

: 70° / 100°C

| | (B) | (D) | (W) | ' | / | , kN 70°C | , kN 20°C |
|------------------------|-----|-----|-----|------|------|--------------|--------------|
| 6000 BLS ZZ 70° | 10 | 26 | 8 | 20 | 6000 | 1,57 | 1,96 |
| 6001 BLS ZZ 70° | 12 | 28 | 8 | 25 | 5800 | 1,89 | 2,36 |
| 6002 BLS ZZ 70° | 15 | 32 | 9 | 30 | 5600 | 2,28 | 2,85 |
| 6003 BLS ZZ 70° | 17 | 35 | 10 | 40 | 5400 | 2,60 | 3,25 |
| 6004 BLS ZZ 70° | 20 | 42 | 12 | 69 | 5200 | 4,00 | 5,00 |
| 6005 BLS ZZ 70° | 25 | 47 | 12 | 80 | 4800 | 4,68 | 5,85 |
| 6006 BLS ZZ 70° | 30 | 55 | 13 | 120 | 4400 | 6,40 | 8,00 |
| 6007 BLS ZZ 70° | 35 | 62 | 14 | 160 | 4000 | 8,32 | 10,4 |
| 6008 BLS ZZ 70° | 40 | 68 | 15 | 190 | 3600 | 9,44 | 11,8 |
| 6009 BLS ZZ 70° | 45 | 75 | 16 | 250 | 3200 | 11,44 | 14,3 |
| 6010 BLS ZZ 70° | 50 | 80 | 16 | 260 | 2800 | 12,48 | 15,6 |
| 6011 BLS ZZ 70° | 55 | 90 | 18 | 390 | 2400 | 16,96 | 21,2 |
| 6012 BLS ZZ 70° | 60 | 95 | 18 | 420 | 2000 | 18,56 | 23,2 |
| 6013 BLS ZZ 70° | 65 | 100 | 18 | 440 | 1800 | 20,00 | 25,0 |
| 6014 BLS ZZ 70° | 70 | 110 | 20 | 600 | 1600 | 25,20 | 31,5 |
| 6015 BLS ZZ 70° | 75 | 115 | 20 | 640 | 1400 | 27,20 | 34,0 |
| 6016 BLS ZZ 70° | 80 | 125 | 22 | 850 | 1200 | 32,00 | 40,0 |
| 6017 BLS ZZ 70° | 85 | 130 | 22 | 890 | 1000 | 34,32 | 42,9 |
| 6018 BLS ZZ 70° | 90 | 140 | 24 | 1150 | 900 | 39,92 | 49,9 |
| 6019 BLS ZZ 70° | 95 | 145 | 24 | 1200 | 800 | 43,16 | 53,9 |
| 6020 BLS ZZ 70° | 100 | 150 | 24 | 1250 | 700 | 43,16 | 53,9 |

BLS ZZ -70° (6200)

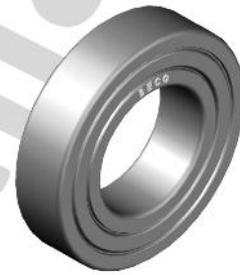
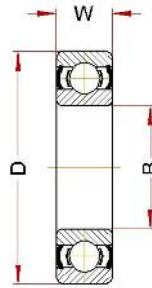
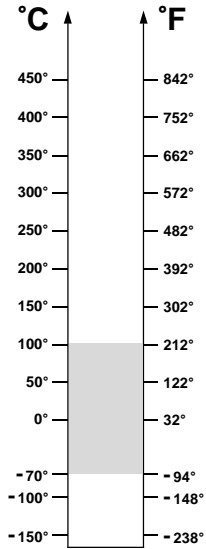


: 70° / 100°C

: 70° / 100°C

| | (B) | (D) | (W) | ' | / | , kN 70°C | , kN 20°C |
|------------------------|-----|-----|-----|------|------|--------------|--------------|
| 6200 BLS ZZ 70° | 10 | 30 | 9 | 30 | 5800 | 2,08 | 2,60 |
| 6201 BLS ZZ 70° | 12 | 32 | 10 | 37 | 5600 | 2,48 | 3,10 |
| 6202 BLS ZZ 70° | 15 | 35 | 11 | 45 | 5400 | 3,00 | 3,75 |
| 6203 BLS ZZ 70° | 17 | 40 | 12 | 65 | 5200 | 3,80 | 4,75 |
| 6204 BLS ZZ 70° | 20 | 47 | 14 | 110 | 4800 | 5,24 | 6,55 |
| 6205 BLS ZZ 70° | 25 | 52 | 15 | 130 | 4400 | 6,40 | 8,00 |
| 6206 BLS ZZ 70° | 30 | 62 | 16 | 200 | 4000 | 8,96 | 11,2 |
| 6207 BLS ZZ 70° | 35 | 72 | 17 | 290 | 3600 | 12,2 | 15,3 |
| 6208 BLS ZZ 70° | 40 | 80 | 18 | 370 | 3200 | 14,4 | 18,0 |
| 6209 BLS ZZ 70° | 45 | 85 | 19 | 410 | 2800 | 16,3 | 20,4 |
| 6210 BLS ZZ 70° | 50 | 90 | 20 | 460 | 2400 | 19,2 | 24,0 |
| 6211 BLS ZZ 70° | 55 | 100 | 21 | 610 | 2000 | 23,2 | 29,0 |
| 6212 BLS ZZ 70° | 60 | 110 | 22 | 780 | 1800 | 28,8 | 36,0 |
| 6213 BLS ZZ 70° | 65 | 120 | 23 | 990 | 1600 | 33,2 | 41,5 |
| 6214 BLS ZZ 70° | 70 | 125 | 24 | 1040 | 1400 | 35,2 | 44,0 |
| 6215 BLS ZZ 70° | 75 | 130 | 25 | 1210 | 1200 | 39,2 | 49,0 |
| 6216 BLS ZZ 70° | 80 | 140 | 26 | 1400 | 1000 | 44,0 | 55,0 |
| 6217 BLS ZZ 70° | 85 | 150 | 28 | 1800 | 900 | 51,2 | 64,0 |
| 6218 BLS ZZ 70° | 90 | 160 | 30 | 2150 | 800 | 58,8 | 73,5 |
| 6219 BLS ZZ 70° | 95 | 170 | 32 | 2600 | 700 | 65,2 | 81,5 |
| 6220 BLS ZZ 70° | 100 | 180 | 34 | 3150 | 600 | 74,4 | 93,0 |

BLS ZZ -70° (6300)

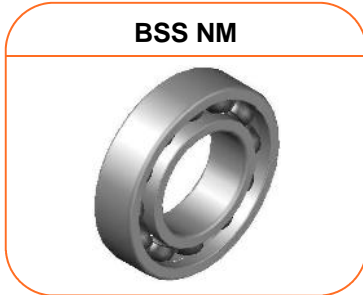


: 70° / 100°C

: 70° / 100°C

| | (B) | (D) | (W) | ' | ' / | , kN 70°C | , kN 20°C |
|------------------------|-----|-----|-----|------|------|--------------|--------------|
| 6300 BLS ZZ 70° | 10 | 35 | 11 | 52 | 5600 | 2,48 | 3,1 |
| 6301 BLS ZZ 70° | 12 | 37 | 12 | 60 | 5400 | 2,96 | 3,7 |
| 6302 BLS ZZ 70° | 15 | 42 | 13 | 80 | 5200 | 3,84 | 4,8 |
| 6303 BLS ZZ 70° | 17 | 47 | 14 | 120 | 4800 | 4,64 | 5,8 |
| 6304 BLS ZZ 70° | 20 | 52 | 15 | 140 | 4400 | 6,08 | 7,6 |
| 6305 BLS ZZ 70° | 25 | 62 | 17 | 225 | 4000 | 8,16 | 10,2 |
| 6306 BLS ZZ 70° | 30 | 72 | 19 | 350 | 3600 | 11,68 | 14,6 |
| 6307 BLS ZZ 70° | 35 | 80 | 21 | 450 | 3200 | 13,68 | 17,1 |
| 6308 BLS ZZ 70° | 40 | 90 | 23 | 620 | 2800 | 18,00 | 22,5 |
| 6309 BLS ZZ 70° | 45 | 100 | 25 | 830 | 2400 | 23,04 | 28,8 |
| 6310 BLS ZZ 70° | 50 | 110 | 27 | 1050 | 2000 | 27,36 | 34,2 |
| 6311 BLS ZZ 70° | 55 | 120 | 29 | 1350 | 1800 | 34,16 | 42,7 |
| 6312 BLS ZZ 70° | 60 | 130 | 31 | 1700 | 1600 | 37,44 | 46,8 |
| 6313 BLS ZZ 70° | 65 | 140 | 33 | 2100 | 1400 | 43,20 | 54,0 |
| 6314 BLS ZZ 70° | 70 | 150 | 35 | 2500 | 1200 | 48,96 | 61,2 |
| 6315 BLS ZZ 70° | 75 | 160 | 37 | 3000 | 1000 | 55,04 | 68,8 |
| 6316 BLS ZZ 70° | 80 | 170 | 39 | 3600 | 900 | 62,24 | 77,8 |
| 6317 BLS ZZ 70° | 85 | 180 | 41 | 4250 | 800 | 69,44 | 86,8 |
| 6318 BLS ZZ 70° | 90 | 190 | 43 | 4900 | 700 | 77,76 | 97,2 |
| 6319 BLS ZZ 70° | 95 | 200 | 45 | 5650 | 600 | 84,96 | 106,2 |
| 6320 BLS ZZ 70° | 100 | 215 | 47 | 7000 | 500 | 100,8 | 126,0 |

()



()



www.beccoitalia.biz

UCP BSS 2RS NSF H1



UCF BSS 2RS NSF H1



UCFL BSS 2RS NSF H1



UCPA BSS 2RS NSF H1



UCP PL BSS 2RS NSF H1



UCF PL BSS 2RS NSF H1



UCFL PL BSS 2RS NSF H1



P PL 200



F PL 200



FL PL 200



P SS 200



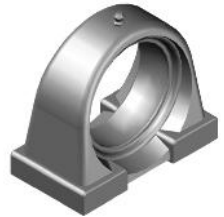
F SS 200



FL SS 200



PA SS 200





BSS NM

()

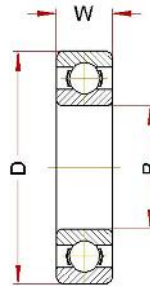
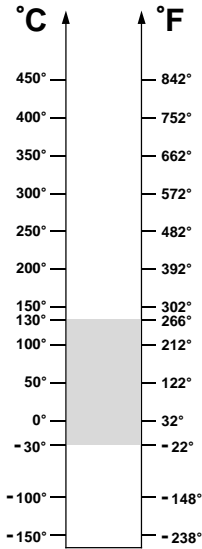
| | | | | |
|--------|--------|----------|----------|------|
| 304 | BSS NM | AISI 304 | AISI 316 | AISI |
| | | | | |
| | BSS NM | | | |
| BSS NM | | | | |

C3 : AISI 304 / AISI 316



BSS NM (6000)

()



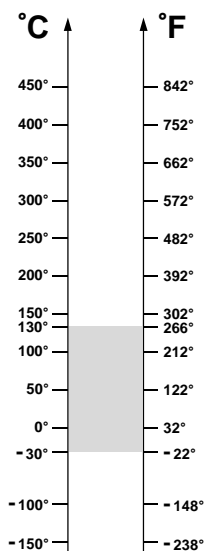
: 30° / 130°C

: 30° / 130°C

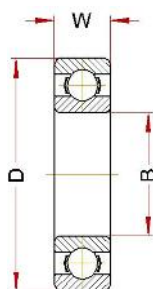
| | (B) | (D) | (W) | ' | ' / | , kN 130°C | , kN 20°C |
|--------------------|-----|-----|-----|-----|-----|---------------|--------------|
| 6000 BSS NM | 10 | 26 | 8 | 20 | 200 | 0,13 | 0,13 |
| 6001 BSS NM | 12 | 28 | 8 | 25 | 190 | 0,16 | 0,16 |
| 6002 BSS NM | 15 | 32 | 9 | 30 | 180 | 0,19 | 0,19 |
| 6003 BSS NM | 17 | 35 | 10 | 40 | 170 | 0,22 | 0,22 |
| 6004 BSS NM | 20 | 42 | 12 | 69 | 160 | 0,33 | 0,33 |
| 6005 BSS NM | 25 | 47 | 12 | 80 | 150 | 0,39 | 0,39 |
| 6006 BSS NM | 30 | 55 | 13 | 120 | 140 | 0,53 | 0,53 |
| 6007 BSS NM | 35 | 62 | 14 | 160 | 130 | 0,69 | 0,69 |
| 6008 BSS NM | 40 | 68 | 15 | 190 | 120 | 0,70 | 0,70 |
| 6009 BSS NM | 45 | 75 | 16 | 250 | 110 | 0,72 | 0,72 |
| 6010 BSS NM | 50 | 80 | 16 | 260 | 100 | 0,78 | 0,78 |
| 6011 BSS NM | 55 | 90 | 18 | 390 | 90 | 1,06 | 1,06 |
| 6012 BSS NM | 60 | 95 | 18 | 420 | 80 | 1,16 | 1,16 |
| 6013 BSS NM | 65 | 100 | 18 | 440 | 70 | 1,25 | 1,25 |
| 6014 BSS NM | 70 | 110 | 20 | 600 | 60 | 1,58 | 1,58 |
| 6015 BSS NM | 75 | 115 | 20 | 640 | 50 | 1,70 | 1,70 |

BSS NM (6200)

()



: 30° / 130°C

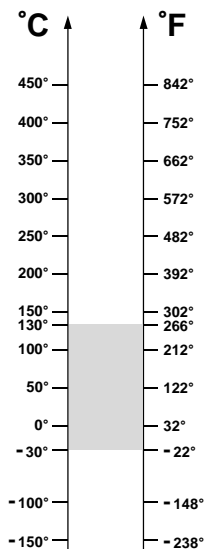


: 30° / 130°C

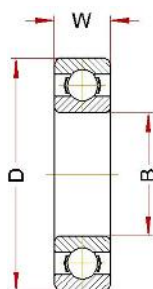
| | (B) | (D) | (W) | ' | ' / | , kN 130°C | , kN 20°C |
|--------------------|-----|-----|-----|------|-----|---------------|--------------|
| 6200 BSS NM | 10 | 30 | 9 | 30 | 200 | 0,17 | 0,17 |
| 6201 BSS NM | 12 | 32 | 10 | 37 | 190 | 0,21 | 0,21 |
| 6202 BSS NM | 15 | 35 | 11 | 45 | 180 | 0,25 | 0,25 |
| 6203 BSS NM | 17 | 40 | 12 | 65 | 170 | 0,32 | 0,32 |
| 6204 BSS NM | 20 | 47 | 14 | 110 | 160 | 0,44 | 0,44 |
| 6205 BSS NM | 25 | 52 | 15 | 130 | 150 | 0,53 | 0,53 |
| 6206 BSS NM | 30 | 62 | 16 | 200 | 140 | 0,75 | 0,75 |
| 6207 BSS NM | 35 | 72 | 17 | 290 | 130 | 0,77 | 0,77 |
| 6208 BSS NM | 40 | 80 | 18 | 370 | 120 | 0,90 | 0,90 |
| 6209 BSS NM | 45 | 85 | 19 | 410 | 110 | 1,02 | 1,02 |
| 6210 BSS NM | 50 | 90 | 20 | 460 | 100 | 1,20 | 1,20 |
| 6211 BSS NM | 55 | 100 | 21 | 610 | 90 | 1,45 | 1,45 |
| 6212 BSS NM | 60 | 110 | 22 | 780 | 80 | 1,90 | 1,90 |
| 6213 BSS NM | 65 | 120 | 23 | 990 | 70 | 2,08 | 2,08 |
| 6214 BSS NM | 70 | 125 | 24 | 1040 | 60 | 2,20 | 2,20 |
| 6215 BSS NM | 75 | 130 | 25 | 1210 | 50 | 2,45 | 2,45 |

BSS NM (6300)

()



: 30° / 130°C



: 30° / 130°C

| | (B) | (D) | (W) | ' | ' / | , kN 130°C | , kN 20°C |
|--------------------|-----|-----|-----|------|-----|---------------|--------------|
| 6300 BSS NM | 10 | 35 | 11 | 52 | 200 | 0,23 | 0,23 |
| 6301 BSS NM | 12 | 37 | 12 | 60 | 190 | 0,28 | 0,28 |
| 6302 BSS NM | 15 | 42 | 13 | 80 | 180 | 0,36 | 0,36 |
| 6303 BSS NM | 17 | 47 | 14 | 120 | 170 | 0,44 | 0,44 |
| 6304 BSS NM | 20 | 52 | 15 | 140 | 160 | 0,57 | 0,57 |
| 6305 BSS NM | 25 | 62 | 17 | 225 | 150 | 0,76 | 0,76 |
| 6306 BSS NM | 30 | 72 | 19 | 350 | 140 | 0,82 | 0,82 |
| 6307 BSS NM | 35 | 80 | 21 | 450 | 130 | 0,95 | 0,95 |
| 6308 BSS NM | 40 | 90 | 23 | 620 | 120 | 1,25 | 1,25 |
| 6309 BSS NM | 45 | 100 | 25 | 830 | 110 | 1,60 | 1,60 |
| 6310 BSS NM | 50 | 110 | 27 | 1050 | 100 | 1,90 | 1,90 |
| 6311 BSS NM | 55 | 120 | 29 | 1350 | 90 | 2,38 | 2,38 |
| 6312 BSS NM | 60 | 130 | 31 | 1700 | 80 | 2,60 | 2,60 |
| 6313 BSS NM | 65 | 140 | 33 | 2100 | 70 | 3,00 | 3,00 |
| 6314 BSS NM | 70 | 150 | 35 | 2500 | 60 | 3,40 | 3,40 |
| 6315 BSS NM | 75 | 160 | 37 | 3000 | 50 | 3,83 | 3,83 |



BSS NM ZZ NSF H1

()

316 AISI 304 BSS NM ZZ NSF H1 AISI 304 AISI

BSS NM ZZ NSF H1

BSS NM ZZ NSF H1

ZZ

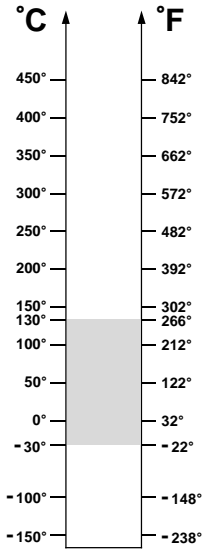
ZZ C3 AISI 304 / AISI 316

(30°C +130°C) NSF H1

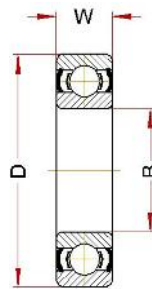


BSS NM ZZ NSF H1 (6000)

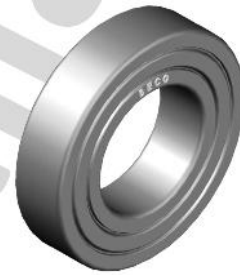
()



: 30° / 130°C



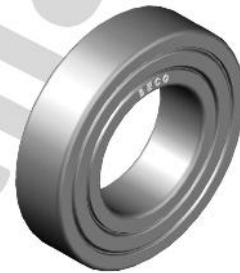
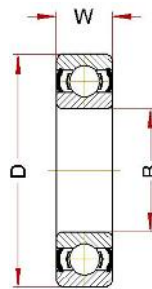
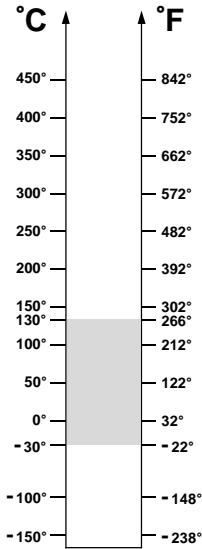
: 30° / 130°C



| | (B) | (D) | (W) | ' | / | , kN 130°C | , kN 20°C |
|-----------------------|-----|-----|-----|-----|-----|---------------|--------------|
| 6000 BSS NM ZZ NSF H1 | 10 | 26 | 8 | 20 | 200 | 0,13 | 0,13 |
| 6001 BSS NM ZZ NSF H1 | 12 | 28 | 8 | 25 | 190 | 0,16 | 0,16 |
| 6002 BSS NM ZZ NSF H1 | 15 | 32 | 9 | 30 | 180 | 0,19 | 0,19 |
| 6003 BSS NM ZZ NSF H1 | 17 | 35 | 10 | 40 | 170 | 0,22 | 0,22 |
| 6004 BSS NM ZZ NSF H1 | 20 | 42 | 12 | 69 | 160 | 0,33 | 0,33 |
| 6005 BSS NM ZZ NSF H1 | 25 | 47 | 12 | 80 | 150 | 0,39 | 0,39 |
| 6006 BSS NM ZZ NSF H1 | 30 | 55 | 13 | 120 | 140 | 0,53 | 0,53 |
| 6007 BSS NM ZZ NSF H1 | 35 | 62 | 14 | 160 | 130 | 0,69 | 0,69 |
| 6008 BSS NM ZZ NSF H1 | 40 | 68 | 15 | 190 | 120 | 0,70 | 0,70 |
| 6009 BSS NM ZZ NSF H1 | 45 | 75 | 16 | 250 | 110 | 0,72 | 0,72 |
| 6010 BSS NM ZZ NSF H1 | 50 | 80 | 16 | 260 | 100 | 0,78 | 0,78 |
| 6011 BSS NM ZZ NSF H1 | 55 | 90 | 18 | 390 | 90 | 1,06 | 1,06 |
| 6012 BSS NM ZZ NSF H1 | 60 | 95 | 18 | 420 | 80 | 1,16 | 1,16 |
| 6013 BSS NM ZZ NSF H1 | 65 | 100 | 18 | 440 | 70 | 1,25 | 1,25 |
| 6014 BSS NM ZZ NSF H1 | 70 | 110 | 20 | 600 | 60 | 1,58 | 1,58 |
| 6015 BSS NM ZZ NSF H1 | 75 | 115 | 20 | 640 | 50 | 1,70 | 1,70 |

BSS NM ZZ NSF H1 (6200)

()



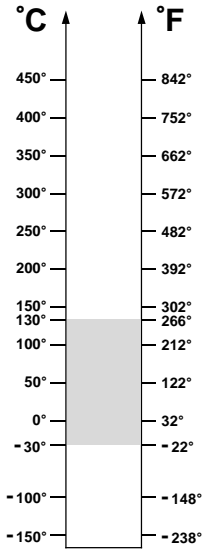
: 30° / 130°C

: 30° / 130°C

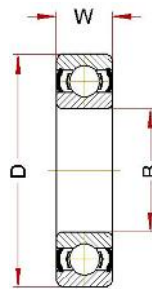
| | (B) | (D) | (W) | ' | ' / | , kN 130°C | , kN 20°C |
|------------------------------|-----|-----|-----|------|-----|---------------|--------------|
| 6200 BSS NM ZZ NSF H1 | 10 | 30 | 9 | 30 | 200 | 0,17 | 0,17 |
| 6201 BSS NM ZZ NSF H1 | 12 | 32 | 10 | 37 | 190 | 0,21 | 0,21 |
| 6202 BSS NM ZZ NSF H1 | 15 | 35 | 11 | 45 | 180 | 0,25 | 0,25 |
| 6203 BSS NM ZZ NSF H1 | 17 | 40 | 12 | 65 | 170 | 0,32 | 0,32 |
| 6204 BSS NM ZZ NSF H1 | 20 | 47 | 14 | 110 | 160 | 0,44 | 0,44 |
| 6205 BSS NM ZZ NSF H1 | 25 | 52 | 15 | 130 | 150 | 0,53 | 0,53 |
| 6206 BSS NM ZZ NSF H1 | 30 | 62 | 16 | 200 | 140 | 0,75 | 0,75 |
| 6207 BSS NM ZZ NSF H1 | 35 | 72 | 17 | 290 | 130 | 0,77 | 0,77 |
| 6208 BSS NM ZZ NSF H1 | 40 | 80 | 18 | 370 | 120 | 0,90 | 0,90 |
| 6209 BSS NM ZZ NSF H1 | 45 | 85 | 19 | 410 | 110 | 1,02 | 1,02 |
| 6210 BSS NM ZZ NSF H1 | 50 | 90 | 20 | 460 | 100 | 1,20 | 1,20 |
| 6211 BSS NM ZZ NSF H1 | 55 | 100 | 21 | 610 | 90 | 1,45 | 1,45 |
| 6212 BSS NM ZZ NSF H1 | 60 | 110 | 22 | 780 | 80 | 1,90 | 1,90 |
| 6213 BSS NM ZZ NSF H1 | 65 | 120 | 23 | 990 | 70 | 2,08 | 2,08 |
| 6214 BSS NM ZZ NSF H1 | 70 | 125 | 24 | 1040 | 60 | 2,20 | 2,20 |
| 6215 BSS NM ZZ NSF H1 | 75 | 130 | 25 | 1210 | 50 | 2,45 | 2,45 |

BSS NM ZZ NSF H1 (6300)

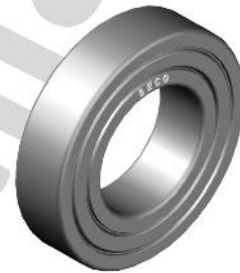
()



: 30° / 130°C



: 30° / 130°C



| | (B) | (D) | (W) | ' | ' / | , kN 130°C | , kN 20°C |
|------------------------------|-----|-----|-----|------|-----|---------------|--------------|
| 6300 BSS NM ZZ NSF H1 | 10 | 35 | 11 | 52 | 200 | 0,23 | 0,23 |
| 6301 BSS NM ZZ NSF H1 | 12 | 37 | 12 | 60 | 190 | 0,28 | 0,28 |
| 6302 BSS NM ZZ NSF H1 | 15 | 42 | 13 | 80 | 180 | 0,36 | 0,36 |
| 6303 BSS NM ZZ NSF H1 | 17 | 47 | 14 | 120 | 170 | 0,44 | 0,44 |
| 6304 BSS NM ZZ NSF H1 | 20 | 52 | 15 | 140 | 160 | 0,57 | 0,57 |
| 6305 BSS NM ZZ NSF H1 | 25 | 62 | 17 | 225 | 150 | 0,76 | 0,76 |
| 6306 BSS NM ZZ NSF H1 | 30 | 72 | 19 | 350 | 140 | 0,82 | 0,82 |
| 6307 BSS NM ZZ NSF H1 | 35 | 80 | 21 | 450 | 130 | 0,95 | 0,95 |
| 6308 BSS NM ZZ NSF H1 | 40 | 90 | 23 | 620 | 120 | 1,25 | 1,25 |
| 6309 BSS NM ZZ NSF H1 | 45 | 100 | 25 | 830 | 110 | 1,60 | 1,60 |
| 6310 BSS NM ZZ NSF H1 | 50 | 110 | 27 | 1050 | 100 | 1,90 | 1,90 |
| 6311 BSS NM ZZ NSF H1 | 55 | 120 | 29 | 1350 | 90 | 2,38 | 2,38 |
| 6312 BSS NM ZZ NSF H1 | 60 | 130 | 31 | 1700 | 80 | 2,60 | 2,60 |
| 6313 BSS NM ZZ NSF H1 | 65 | 140 | 33 | 2100 | 70 | 3,00 | 3,00 |
| 6314 BSS NM ZZ NSF H1 | 70 | 150 | 35 | 2500 | 60 | 3,40 | 3,40 |
| 6315 BSS NM ZZ NSF H1 | 75 | 160 | 37 | 3000 | 50 | 3,83 | 3,83 |



Empty rounded rectangular box for text entry.

Empty rounded rectangular box for text entry.

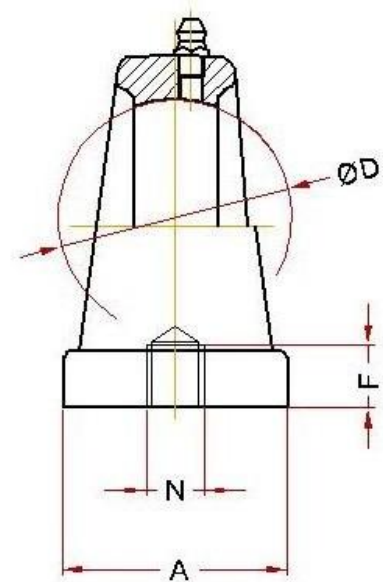
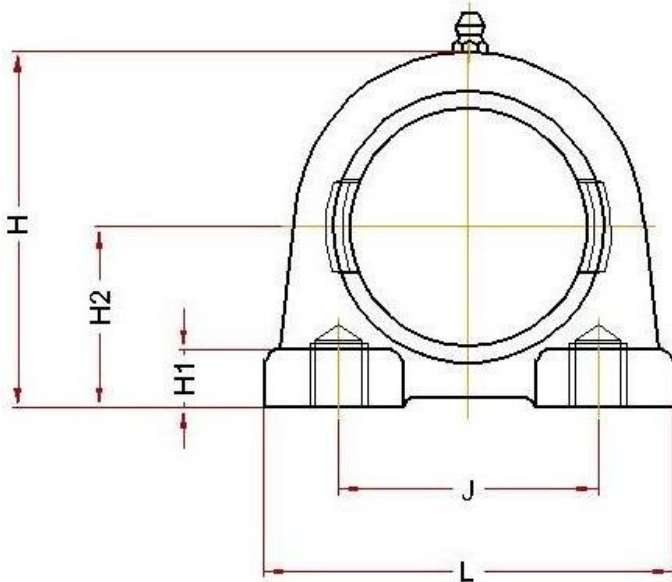
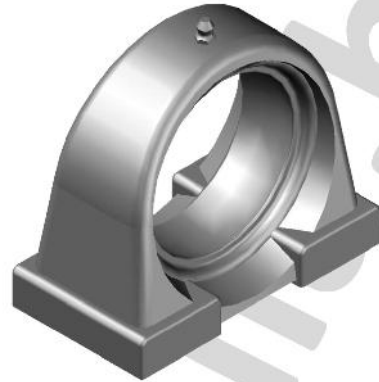
Empty rounded rectangular box for text entry.

www.becoitalia.biz



PA SS (200)

()

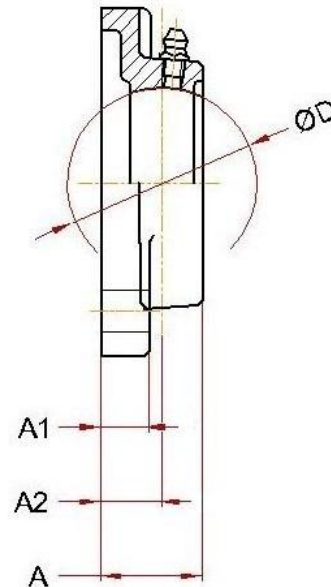
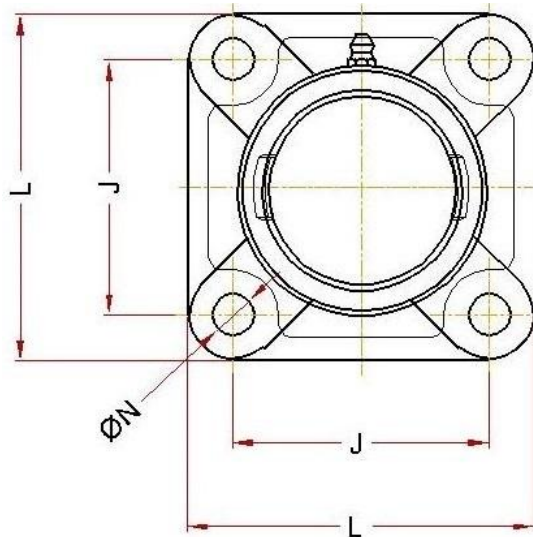
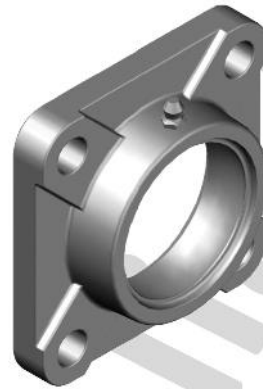


| | (D) | L (max) | J | A (max) | H (max) | H1 (max) | H2 | N | F | * |
|------------------|-----|---------|----|---------|---------|----------|------|-----|----|------|
| PA 204 SS | 47 | 76 | 52 | 40 | 62 | 11 | 30,2 | M10 | 13 | 410 |
| PA 205 SS | 52 | 84 | 56 | 45 | 72 | 12 | 36,5 | M10 | 15 | 460 |
| PA 206 SS | 62 | 94 | 66 | 50 | 84 | 13 | 42,9 | M14 | 18 | 680 |
| PA 207 SS | 72 | 110 | 80 | 55 | 95 | 13 | 47,6 | M14 | 20 | 920 |
| PA 208 SS | 80 | 116 | 84 | 58 | 100 | 13 | 49,2 | M14 | 20 | 1160 |
| PA 209 SS | 85 | 120 | 90 | 60 | 108 | 13 | 54,2 | M14 | 25 | 1300 |
| PA 210 SS | 90 | 130 | 94 | 64 | 116 | 14 | 57,2 | M16 | 25 | 1760 |

*

F SS (200)

()

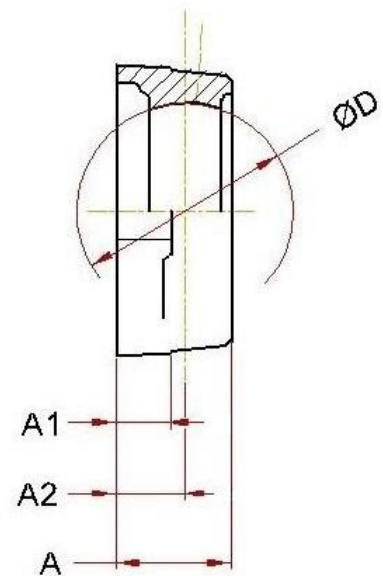
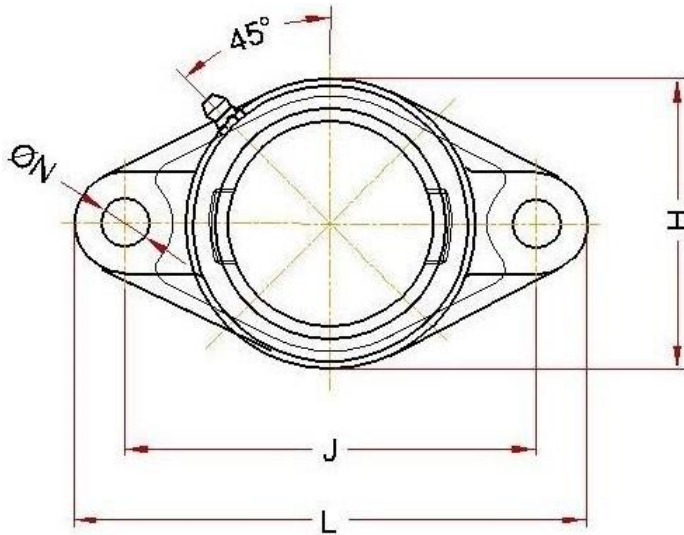
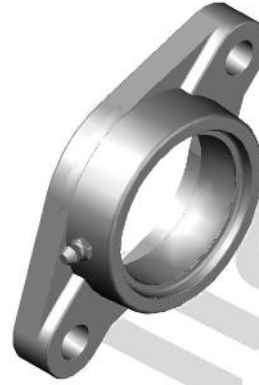


| | (D) | L (max) | J | A (max) | A1 (max) | A2 | (N) | * |
|-----------------|-----|------------|-----|------------|-------------|----|------------|------|
| F 204 SS | 47 | 88 | 64 | 34 | 15 | 19 | 11,5 ± 1,0 | 390 |
| F 205 SS | 52 | 97 | 70 | 35 | 15 | 19 | 12,0 ± 0,5 | 450 |
| F 206 SS | 62 | 110 | 83 | 38 | 16 | 20 | 12,0 ± 0,5 | 610 |
| F 207 SS | 72 | 119 | 92 | 38 | 17 | 21 | 14,0 ± 1,0 | 750 |
| F 208 SS | 80 | 132 | 102 | 43 | 17 | 24 | 14,0 ± 1,0 | 1010 |
| F 209 SS | 85 | 139 | 105 | 45 | 18 | 24 | 15,0 ± 2,0 | 1110 |
| F 210 SS | 90 | 145 | 111 | 48 | 20 | 28 | 18,0 ± 1,0 | 1270 |
| F 211 SS | 100 | 164 | 130 | 51 | 21 | 31 | 18,0 ± 1,0 | 1670 |
| F 212 SS | 110 | 177 | 143 | 52 | 21 | 34 | 18,0 ± 1,0 | 1970 |
| F 213 SS | 120 | 189 | 149 | 57 | 24 | 34 | 18,0 ± 1,0 | 2550 |
| F 214 SS | 125 | 195 | 152 | 58 | 24 | 35 | 18,5 ± 1,5 | 2820 |
| F 215 SS | 130 | 202 | 159 | 60 | 24 | 35 | 20,8 ± 3,8 | 3160 |

*

FL SS (200)

()

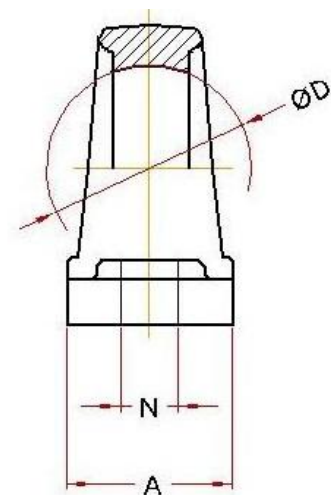
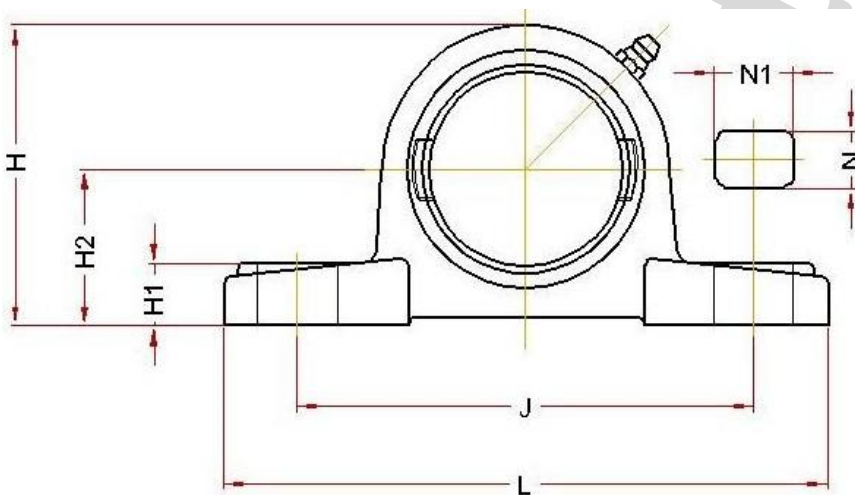
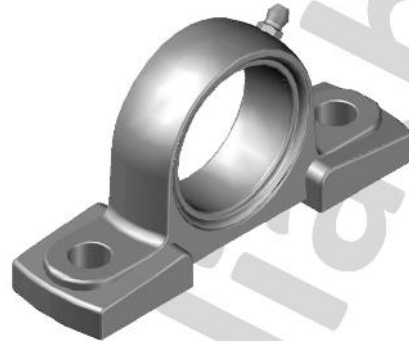


| | (D) | L (max) | J | A (max) | A1 (max) | A2 | H | (N) | * |
|------------------|-----|------------|-----|------------|-------------|----|-----|------------|------|
| FL 204 SS | 47 | 113 | 90 | 34 | 15 | 19 | 62 | 11,5 ± 1,0 | 220 |
| FL 205 SS | 52 | 125 | 99 | 35 | 15 | 19 | 70 | 12,0 ± 0,5 | 260 |
| FL 206 SS | 62 | 142 | 117 | 38 | 16 | 20 | 83 | 12,0 ± 0,5 | 360 |
| FL 207 SS | 72 | 156 | 130 | 38 | 17 | 21 | 96 | 14,0 ± 1,0 | 620 |
| FL 208 SS | 80 | 172 | 144 | 43 | 17 | 24 | 105 | 14,0 ± 1,0 | 760 |
| FL 209 SS | 85 | 180 | 148 | 45 | 18 | 24 | 112 | 15,0 ± 2,0 | 910 |
| FL 210 SS | 90 | 190 | 157 | 48 | 20 | 28 | 117 | 18,0 ± 1,0 | 1060 |
| FL 211 SS | 100 | 222 | 184 | 51 | 21 | 31 | 134 | 18,0 ± 1,0 | 1350 |
| FL 212 SS | 110 | 238 | 202 | 60 | 21 | 34 | 142 | 18,0 ± 1,0 | 1710 |

*

P SS (200)

()

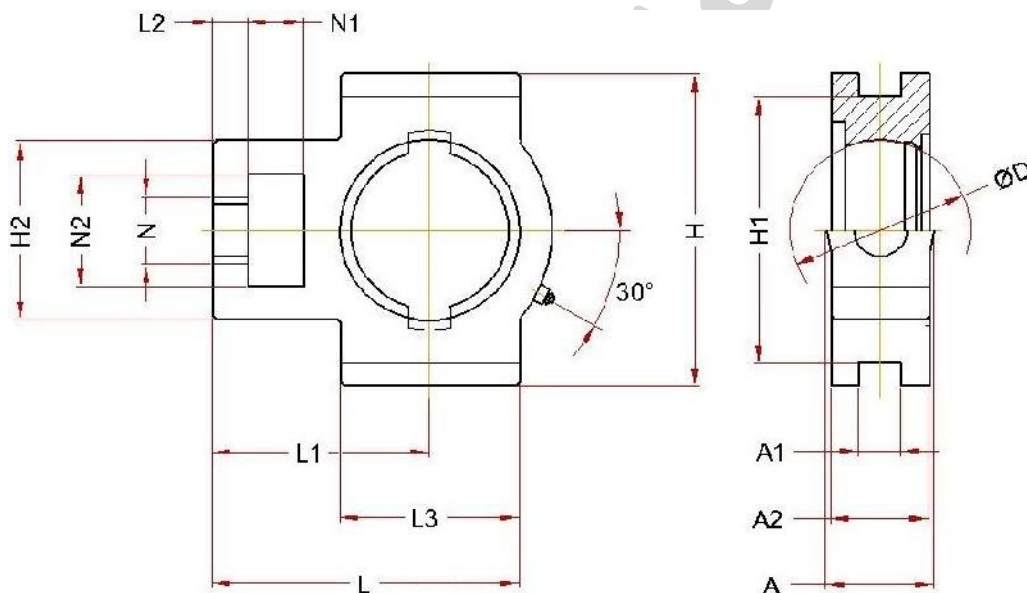
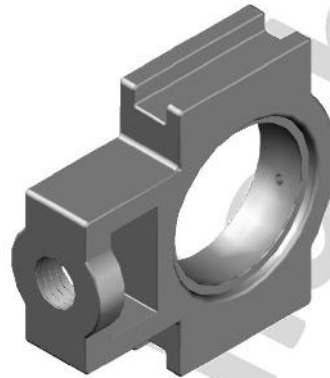


| | (D) | L (max) | J | A (max) | H | H1 (max) | H2 | N | N1 (min) | * |
|-----------------|-----|---------|-----|---------|-----|----------|------|------------|----------|------|
| P 204 SS | 47 | 134 | 96 | 39 | 65 | 17 | 33,3 | 11,5 ± 1,0 | 16 | 360 |
| P 205 SS | 52 | 142 | 105 | 39 | 70 | 17 | 36,5 | 11,5 ± 1,0 | 16 | 430 |
| P 206 SS | 62 | 167 | 121 | 48 | 83 | 20 | 42,9 | 14,0 ± 1,0 | 19 | 600 |
| P 207 SS | 72 | 172 | 126 | 48 | 94 | 20 | 47,6 | 14,0 ± 1,0 | 19 | 770 |
| P 208 SS | 80 | 186 | 136 | 55 | 100 | 20 | 49,2 | 14,0 ± 1,0 | 19 | 930 |
| P 209 SS | 85 | 192 | 146 | 55 | 108 | 22 | 54,0 | 14,0 ± 1,0 | 20 | 1040 |
| P 210 SS | 90 | 208 | 159 | 61 | 114 | 23 | 57,2 | 18,0 ± 1,0 | 20 | 1380 |
| P 211 SS | 100 | 233 | 172 | 61 | 126 | 25 | 63,5 | 18,0 ± 1,0 | 22 | 1610 |
| P 212 SS | 110 | 243 | 186 | 71 | 138 | 27 | 69,9 | 18,0 ± 1,0 | 24 | 2090 |
| P 213 SS | 120 | 268 | 203 | 73 | 150 | 34 | 76,2 | 22,8 ± 1,8 | 24 | 2650 |
| P 214 SS | 125 | 274 | 210 | 74 | 156 | 34 | 79,4 | 22,8 ± 1,8 | 24 | 2690 |
| P 215 SS | 130 | 300 | 217 | 83 | 162 | 35 | 82,6 | 22,8 ± 1,8 | 24 | 3170 |

*

T SS (200)

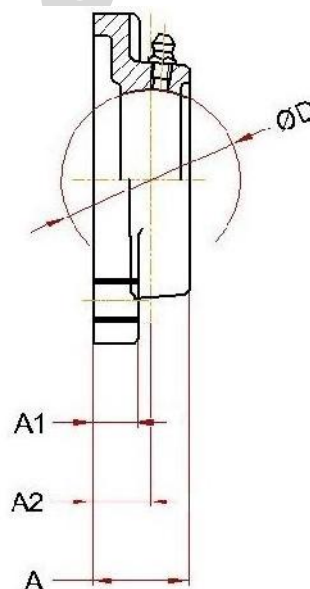
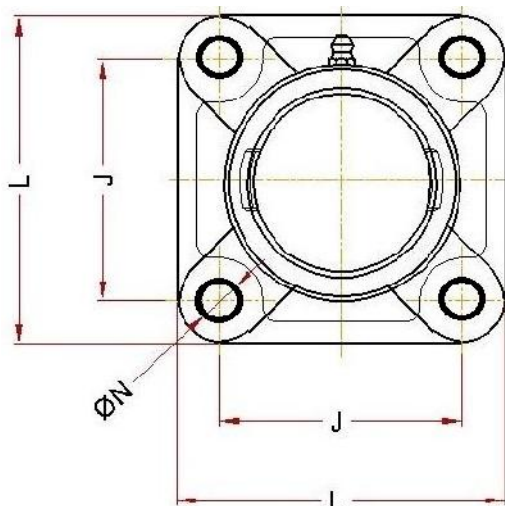
()



| | (D) | L (max) | L1 (max) | L2 (max) | L3 (max) | H (max) | H1 | H2 (max) | A (max) | A1 | A2 (max) | N (min) | N1 (min) | N2 (min) | * |
|-----------------|-----|---------|----------|----------|----------|---------|-----|----------|---------|------------|----------|---------|----------|----------|------|
| T 204 SS | 47 | 104 | 69 | 9 | 59 | 94 | 76 | 64 | 51 | 13,6 ± 0,4 | 36 | 18 | 15 | 30 | 520 |
| T 205 SS | 52 | 104 | 69 | 9 | 59 | 94 | 76 | 64 | 51 | 13,6 ± 0,4 | 38 | 18 | 15 | 30 | 560 |
| T 206 SS | 62 | 118 | 74 | 9 | 66 | 107 | 89 | 66 | 53 | 13,6 ± 0,4 | 38 | 19 | 15 | 36 | 820 |
| T 207 SS | 72 | 132 | 81 | 10 | 72 | 107 | 89 | 66 | 53 | 13,6 ± 0,4 | 38 | 19 | 15 | 36 | 860 |
| T 208 SS | 80 | 146 | 91 | 14 | 84 | 124 | 101 | 85 | 67 | 17,6 ± 0,4 | 44 | 27 | 18 | 47 | 1470 |
| T 209 SS | 85 | 149 | 91 | 14 | 84 | 124 | 101 | 85 | 67 | 17,6 ± 0,4 | 44 | 27 | 18 | 47 | 1490 |
| T 210 SS | 90 | 153 | 92 | 14 | 88 | 124 | 101 | 85 | 67 | 17,6 ± 0,4 | 50 | 27 | 18 | 47 | 1550 |
| T 211 SS | 100 | 191 | 120 | 17 | 104 | 152 | 130 | 104 | 72 | 27,4 ± 0,6 | 56 | 34 | 24 | 62 | 2590 |
| T 212 SS | 110 | 196 | 120 | 17 | 104 | 152 | 130 | 104 | 72 | 27,4 ± 0,6 | 56 | 34 | 29 | 62 | 2750 |

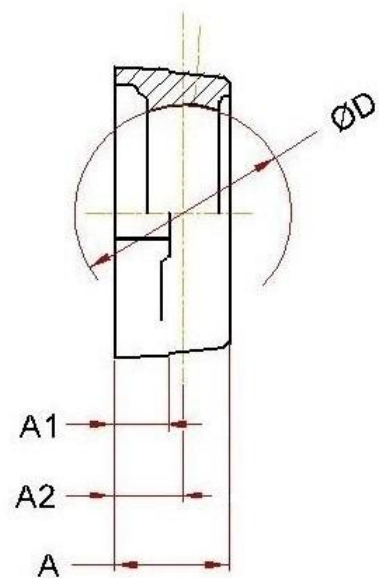
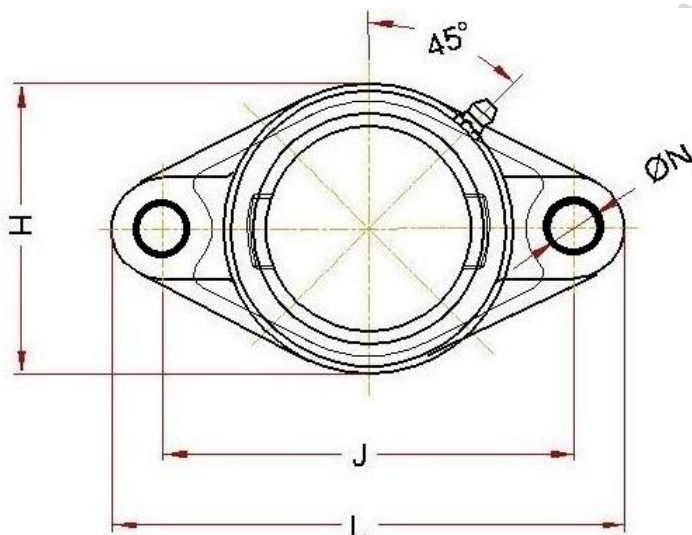
*

F PL (200)



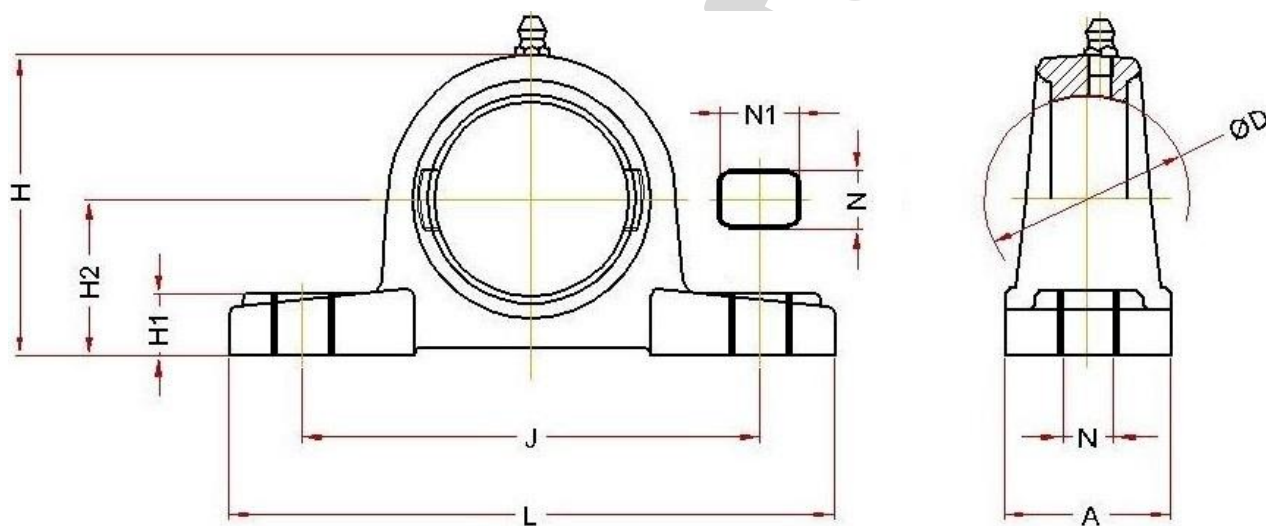
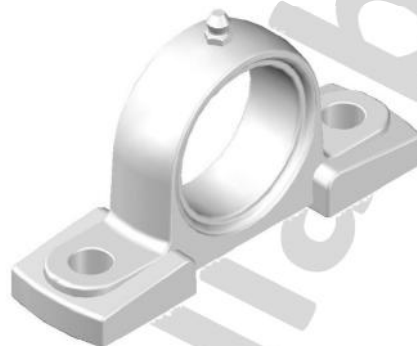
| | (D) | L | J | A | A1 | A2 | (N) | |
|-----------------|-----|-----|-----------|----|----|----------|-----|-----|
| F PL 204 | 47 | 86 | 63 ± 0,7 | 28 | 14 | 17 ± 0,5 | 11 | 123 |
| F PL 205 | 52 | 95 | 70 ± 0,7 | 28 | 15 | 18 ± 0,5 | 11 | 152 |
| F PL 206 | 62 | 107 | 83 ± 0,7 | 32 | 15 | 19 ± 0,5 | 11 | 184 |
| F PL 207 | 72 | 117 | 92 ± 0,7 | 35 | 16 | 21 ± 0,5 | 13 | 241 |
| F PL 208 | 80 | 129 | 102 ± 0,7 | 37 | 18 | 23 ± 0,5 | 14 | 315 |
| F PL 209 | 85 | 137 | 105 ± 0,7 | 41 | 20 | 24 ± 0,5 | 17 | 346 |
| F PL 210 | 90 | 143 | 111 ± 0,7 | 42 | 20 | 25 ± 0,5 | 17 | 402 |
| F PL 211 | 100 | 162 | 130 ± 1,0 | 42 | 20 | 25 ± 0,8 | 19 | 501 |
| F PL 212 | 110 | 175 | 143 ± 1,0 | 48 | 20 | 29 ± 0,8 | 19 | 584 |

FL PL (200)



| | (D) | L | J | A | A1 | A2 | H | (N) | |
|------------------|-----|-----|-----------|----|----|----------|-----|-----|-----|
| FL PL 204 | 47 | 113 | 90 ± 0,7 | 27 | 12 | 15 ± 0,5 | 64 | 11 | 78 |
| FL PL 205 | 52 | 131 | 99 ± 0,7 | 30 | 14 | 17 ± 0,5 | 70 | 11 | 104 |
| FL PL 206 | 62 | 148 | 117 ± 0,7 | 31 | 14 | 19 ± 0,5 | 79 | 11 | 121 |
| FL PL 207 | 72 | 164 | 130 ± 0,7 | 33 | 16 | 18 ± 0,5 | 90 | 13 | 153 |
| FL PL 208 | 80 | 175 | 144 ± 0,7 | 38 | 20 | 21 ± 0,5 | 99 | 14 | 210 |
| FL PL 209 | 85 | 189 | 148 ± 0,7 | 41 | 21 | 24 ± 0,5 | 107 | 17 | 260 |
| FL PL 210 | 90 | 198 | 157 ± 0,7 | 43 | 21 | 25 ± 0,5 | 115 | 17 | 293 |
| FL PL 211 | 100 | 225 | 184 ± 1,0 | 43 | 19 | 25 ± 0,8 | 130 | 19 | 357 |
| FL PL 212 | 110 | 250 | 202 ± 1,0 | 45 | 23 | 29 ± 0,8 | 141 | 19 | 505 |

P PL (200)



| | (D) | L | J | A | H | H1 | H2 | N | N1 | ' |
|-----------------|-----|-----|-----------|----|-------|------|-------------|----|----|-----|
| P PL 204 | 47 | 127 | 95 ± 0,7 | 38 | 65,0 | 14,5 | 33,3 ± 0,15 | 11 | 14 | 125 |
| P PL 205 | 52 | 141 | 105 ± 0,7 | 38 | 71,5 | 14,5 | 36,5 ± 0,15 | 11 | 14 | 157 |
| P PL 206 | 62 | 164 | 119 ± 0,7 | 46 | 83,5 | 17,8 | 42,9 ± 0,15 | 14 | 18 | 238 |
| P PL 207 | 72 | 169 | 127 ± 0,7 | 48 | 94,5 | 18,0 | 47,6 ± 0,15 | 14 | 18 | 278 |
| P PL 208 | 80 | 184 | 137 ± 0,7 | 54 | 99,0 | 20,0 | 49,2 ± 0,15 | 14 | 18 | 322 |
| P PL 209 | 85 | 192 | 146 ± 0,7 | 54 | 106,0 | 22,5 | 54,0 ± 0,15 | 17 | 20 | 366 |
| P PL 210 | 90 | 206 | 159 ± 0,7 | 60 | 114,0 | 22,5 | 57,2 ± 0,15 | 17 | 20 | 472 |
| P PL 211 | 100 | 220 | 171 ± 0,7 | 60 | 126,5 | 22,5 | 63,5 ± 0,20 | 17 | 20 | 551 |
| P PL 212 | 110 | 241 | 184 ± 0,7 | 70 | 137,5 | 26,5 | 69,8 ± 0,20 | 17 | 20 | 707 |



BSS

()

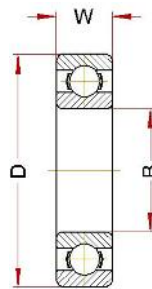
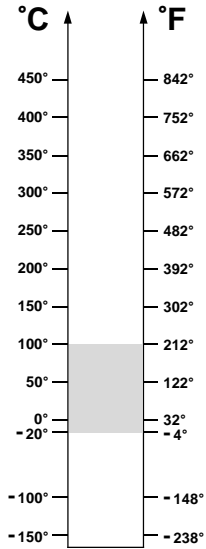
BSS
AISI 304

BSS



BSS (6000)

()



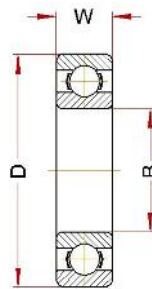
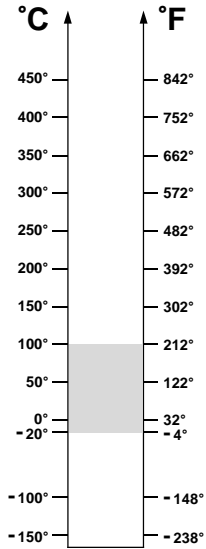
: 20° / 100°C

: 20° / 100°C

| | (B) | (D) | (W) | ' | / | , kN 100°C | , kN 20°C |
|-----------------|-----|-----|-----|-----|-------|---------------|--------------|
| 6000 BSS | 10 | 26 | 8 | 20 | 19720 | 1,57 | 1,57 |
| 6001 BSS | 12 | 28 | 8 | 25 | 16640 | 1,89 | 1,89 |
| 6002 BSS | 15 | 32 | 9 | 30 | 15360 | 2,28 | 2,28 |
| 6003 BSS | 17 | 35 | 10 | 40 | 14080 | 2,60 | 2,60 |
| 6004 BSS | 20 | 42 | 12 | 69 | 12800 | 4,00 | 4,00 |
| 6005 BSS | 25 | 47 | 12 | 80 | 10880 | 4,68 | 4,68 |
| 6006 BSS | 30 | 55 | 13 | 120 | 8320 | 6,40 | 6,40 |
| 6007 BSS | 35 | 62 | 14 | 160 | 7040 | 8,32 | 8,32 |
| 6008 BSS | 40 | 68 | 15 | 190 | 6400 | 9,44 | 9,44 |
| 6009 BSS | 45 | 75 | 16 | 250 | 5760 | 11,44 | 11,44 |
| 6010 BSS | 50 | 80 | 16 | 260 | 5440 | 12,48 | 12,48 |
| 6011 BSS | 55 | 90 | 18 | 390 | 4800 | 16,96 | 16,96 |
| 6012 BSS | 60 | 95 | 18 | 420 | 4480 | 18,50 | 18,50 |
| 6013 BSS | 65 | 100 | 18 | 440 | 4032 | 20,00 | 20,00 |
| 6014 BSS | 70 | 110 | 20 | 600 | 3840 | 25,20 | 25,20 |
| 6015 BSS | 75 | 115 | 20 | 640 | 3584 | 27,20 | 27,20 |

BSS (6200)

()



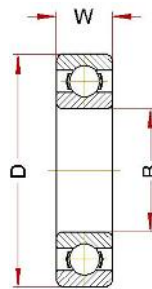
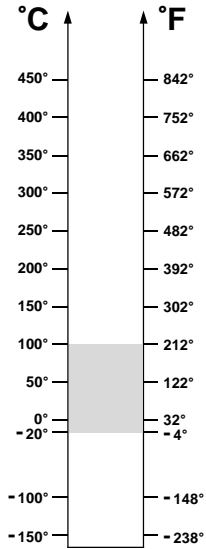
: 20° / 100°C

: 20° / 100°C

| | (B) | (D) | (W) | ' | / | , kN 100°C | , kN 20°C |
|-----------------|-----|-----|-----|------|-------|---------------|--------------|
| 6200 BSS | 10 | 30 | 9 | 30 | 16640 | 2,08 | 2,08 |
| 6201 BSS | 12 | 32 | 10 | 37 | 15360 | 2,48 | 2,48 |
| 6202 BSS | 15 | 35 | 11 | 45 | 12800 | 3,00 | 3,00 |
| 6203 BSS | 17 | 40 | 12 | 65 | 11520 | 3,80 | 3,80 |
| 6204 BSS | 20 | 47 | 14 | 110 | 10240 | 5,24 | 5,24 |
| 6205 BSS | 25 | 52 | 15 | 130 | 8960 | 6,40 | 6,40 |
| 6206 BSS | 30 | 62 | 16 | 200 | 7040 | 8,96 | 8,96 |
| 6207 BSS | 35 | 72 | 17 | 290 | 6080 | 12,24 | 12,24 |
| 6208 BSS | 40 | 80 | 18 | 370 | 5440 | 14,40 | 14,40 |
| 6209 BSS | 45 | 85 | 19 | 410 | 5120 | 16,32 | 16,32 |
| 6210 BSS | 50 | 90 | 20 | 460 | 4800 | 19,20 | 19,20 |
| 6211 BSS | 55 | 100 | 21 | 610 | 4288 | 23,20 | 23,20 |
| 6212 BSS | 60 | 110 | 22 | 780 | 3840 | 28,80 | 28,80 |
| 6213 BSS | 65 | 120 | 23 | 990 | 3392 | 33,20 | 33,20 |
| 6214 BSS | 70 | 125 | 24 | 1040 | 3200 | 35,20 | 35,20 |
| 6215 BSS | 75 | 130 | 25 | 1210 | 3072 | 39,20 | 39,20 |

BSS (6300)

()

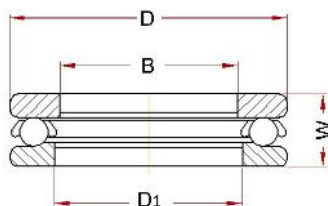
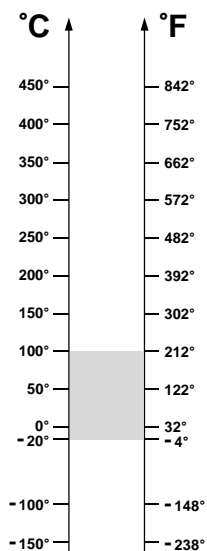


: 20° / 100°C

: 20° / 100°C

| | (B) | (D) | (W) | ' | ' / | , kN 100°C | , kN 20°C |
|-----------------|-----|-----|-----|------|-------|---------------|--------------|
| 6300 BSS | 10 | 35 | 11 | 52 | 14080 | 2,76 | 2,76 |
| 6301 BSS | 12 | 37 | 12 | 60 | 12800 | 3,32 | 3,32 |
| 6302 BSS | 15 | 42 | 13 | 80 | 11520 | 4,32 | 4,32 |
| 6303 BSS | 17 | 47 | 14 | 120 | 10240 | 5,54 | 5,54 |
| 6304 BSS | 20 | 52 | 15 | 140 | 8960 | 6,80 | 6,80 |
| 6305 BSS | 25 | 62 | 17 | 225 | 7040 | 9,12 | 9,12 |
| 6306 BSS | 30 | 72 | 19 | 350 | 6080 | 13,0 | 13,0 |
| 6307 BSS | 35 | 80 | 21 | 450 | 5440 | 15,2 | 15,2 |
| 6308 BSS | 40 | 90 | 23 | 620 | 4800 | 20,0 | 20,0 |
| 6309 BSS | 45 | 100 | 25 | 830 | 4288 | 25,6 | 25,6 |
| 6310 BSS | 50 | 110 | 27 | 1050 | 3840 | 30,4 | 30,4 |
| 6311 BSS | 55 | 120 | 29 | 1350 | 3392 | 38,0 | 38,0 |
| 6312 BSS | 60 | 130 | 31 | 1700 | 3200 | 41,6 | 41,6 |
| 6313 BSS | 65 | 140 | 33 | 2100 | 2880 | 48,0 | 48,0 |
| 6314 BSS | 70 | 150 | 35 | 2500 | 2752 | 56,2 | 56,2 |
| 6315 BSS | 75 | 160 | 37 | 3000 | 2560 | 61,2 | 61,2 |

BSS (51100)

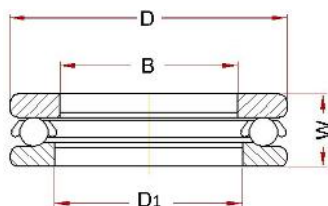
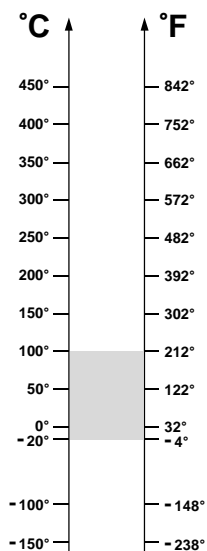


: 20° / 100°C

: 20° / 100°C

| | (B) | (D) | (D1) | (W) | | | , kN 100°C | , kN 20°C |
|------------------|-----|-----|------|-----|-----|-------|---------------|--------------|
| 51100 BSS | 10 | 24 | 11 | 9 | 20 | 10400 | 12,24 | 12,24 |
| 51101 BSS | 12 | 26 | 13 | 9 | 20 | 10400 | 13,28 | 13,28 |
| 51102 BSS | 15 | 28 | 16 | 9 | 20 | 9600 | 14,64 | 14,64 |
| 51103 BSS | 17 | 30 | 18 | 9 | 30 | 9600 | 16,96 | 16,96 |
| 51104 BSS | 20 | 35 | 21 | 9 | 40 | 8000 | 23,20 | 23,20 |
| 51105 BSS | 25 | 42 | 26 | 10 | 60 | 7200 | 31,20 | 31,20 |
| 51106 BSS | 30 | 47 | 32 | 11 | 60 | 6800 | 34,40 | 34,40 |
| 51107 BSS | 35 | 52 | 37 | 11 | 80 | 6000 | 40,80 | 40,80 |
| 51108 BSS | 40 | 60 | 42 | 13 | 120 | 5600 | 50,40 | 50,40 |
| 51109 BSS | 45 | 65 | 47 | 14 | 140 | 5040 | 55,60 | 55,60 |
| 51110 BSS | 50 | 70 | 52 | 14 | 160 | 5040 | 60,00 | 60,00 |
| 51111 BSS | 55 | 78 | 57 | 16 | 230 | 4240 | 65,20 | 65,20 |
| 51112 BSS | 60 | 85 | 62 | 17 | 300 | 4000 | 86,40 | 86,40 |
| 51113 BSS | 65 | 90 | 67 | 18 | 330 | 3840 | 96,00 | 96,00 |
| 51114 BSS | 70 | 95 | 72 | 18 | 350 | 3600 | 97,60 | 97,60 |
| 51115 BSS | 75 | 100 | 77 | 19 | 400 | 3440 | 107,2 | 107,2 |

BSS (51200)

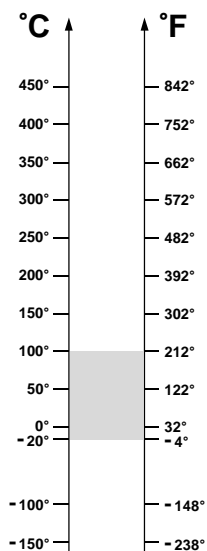


: 20° / 100°C

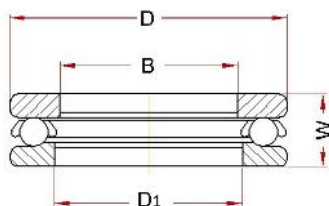
: 20° / 100°C

| | (B) | (D) | (D1) | (W) | | | , kN 100°C | , kN 20°C |
|------------------|-----|-----|------|-----|-----|------|---------------|--------------|
| 51200 BSS | 10 | 26 | 12 | 11 | 30 | 8800 | 14,8 | 14,8 |
| 51201 BSS | 12 | 28 | 14 | 11 | 30 | 8800 | 16,6 | 16,6 |
| 51202 BSS | 15 | 32 | 17 | 12 | 50 | 8000 | 20,0 | 20,0 |
| 51203 BSS | 17 | 35 | 19 | 12 | 50 | 7600 | 21,6 | 21,6 |
| 51204 BSS | 20 | 40 | 22 | 14 | 80 | 6400 | 30,0 | 30,0 |
| 51205 BSS | 25 | 47 | 27 | 15 | 110 | 6000 | 40,0 | 40,0 |
| 51206 BSS | 30 | 52 | 32 | 16 | 130 | 5360 | 40,8 | 40,8 |
| 51207 BSS | 35 | 62 | 37 | 18 | 220 | 4480 | 58,8 | 58,8 |
| 51208 BSS | 40 | 68 | 42 | 19 | 280 | 4240 | 77,2 | 77,2 |
| 51209 BSS | 45 | 73 | 47 | 20 | 300 | 4000 | 69,2 | 69,2 |
| 51210 BSS | 50 | 78 | 52 | 22 | 370 | 3600 | 92,8 | 92,8 |
| 51211 BSS | 55 | 90 | 57 | 25 | 590 | 3200 | 107 | 107 |
| 51212 BSS | 60 | 95 | 62 | 26 | 650 | 3040 | 112 | 112 |
| 51213 BSS | 65 | 100 | 67 | 27 | 780 | 2880 | 120 | 120 |
| 51214 BSS | 70 | 105 | 72 | 27 | 790 | 2880 | 128 | 128 |
| 51215 BSS | 75 | 110 | 77 | 27 | 830 | 2720 | 136 | 136 |

BSS (51300)



: 20° / 100°C



: 20° / 100°C

| | (B) | (D) | (D1) | (W) | | | , kN 100°C | , kN 20°C |
|------------------|-----|-----|------|-----|------|------|---------------|--------------|
| 51305 BSS | 25 | 52 | 27 | 18 | 170 | 5040 | 48,0 | 48,0 |
| 51306 BSS | 30 | 60 | 32 | 21 | 260 | 4240 | 52,4 | 52,4 |
| 51307 BSS | 35 | 68 | 37 | 24 | 380 | 3840 | 77,2 | 77,2 |
| 51308 BSS | 40 | 78 | 42 | 26 | 530 | 3440 | 97,6 | 97,6 |
| 51309 BSS | 45 | 85 | 47 | 28 | 660 | 3200 | 122 | 122 |
| 51310 BSS | 50 | 95 | 52 | 31 | 940 | 2880 | 136 | 136 |
| 51311 BSS | 55 | 105 | 57 | 35 | 1300 | 2560 | 179 | 179 |
| 51312 BSS | 60 | 110 | 62 | 35 | 1350 | 2400 | 179 | 179 |
| 51313 BSS | 65 | 115 | 67 | 36 | 1500 | 2400 | 192 | 192 |
| 51314 BSS | 70 | 125 | 72 | 40 | 2000 | 2080 | 256 | 256 |
| 51315 BSS | 75 | 135 | 77 | 44 | 2600 | 1920 | 312 | 312 |



BSS 2RS NSF H1

()

BSS 2RS NSF H1

AISI 304

BSS 2RS NSF H1

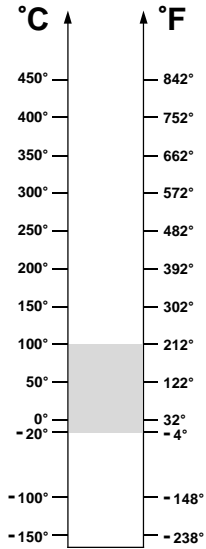
NSF H1.

2RS

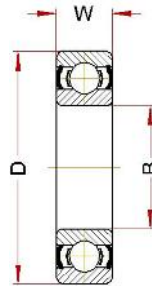
NSF H1



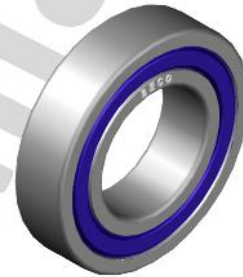
BSS 2RS NSF H1 (MICRO)



: 20° / 100°C

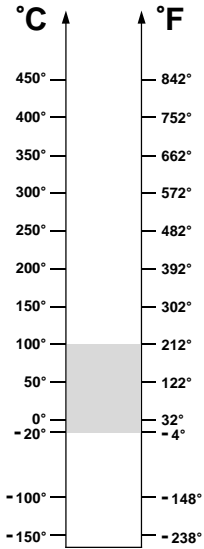


: 20° / 100°C

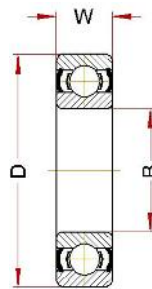


| | (B) | (D) | (W) | ' | / | , kN 100°C | , kN 20°C |
|-----------------------------|-----|-----|-----|----|-------|---------------|--------------|
| 613/3 BSS 2RS NSF H1 | 3 | 8 | 3 | 2 | 25600 | 0,12 | 0,12 |
| 623 BSS 2RS NSF H1 | 3 | 10 | 4 | 3 | 25600 | 0,18 | 0,18 |
| 604 BSS 2RS NSF H1 | 4 | 12 | 4 | 3 | 24320 | 0,34 | 0,34 |
| 624 BSS 2RS NSF H1 | 4 | 13 | 5 | 3 | 24320 | 0,34 | 0,34 |
| 605 BSS 2RS NSF H1 | 5 | 14 | 5 | 4 | 23040 | 0,42 | 0,42 |
| 625 BSS 2RS NSF H1 | 5 | 16 | 5 | 5 | 23040 | 0,42 | 0,42 |
| 606 BSS 2RS NSF H1 | 6 | 17 | 6 | 7 | 20480 | 0,85 | 0,85 |
| 626 BSS 2RS NSF H1 | 6 | 19 | 6 | 8 | 20480 | 0,85 | 0,85 |
| 607 BSS 2RS NSF H1 | 7 | 19 | 6 | 8 | 20480 | 0,85 | 0,85 |
| 627 BSS 2RS NSF H1 | 7 | 22 | 7 | 13 | 19200 | 1,10 | 1,10 |
| 608 BSS 2RS NSF H1 | 8 | 22 | 7 | 13 | 19200 | 1,10 | 1,10 |
| 628 BSS 2RS NSF H1 | 8 | 24 | 8 | 14 | 19200 | 1,10 | 1,10 |
| 609 BSS 2RS NSF H1 | 9 | 24 | 7 | 15 | 19200 | 1,30 | 1,30 |
| 629 BSS 2RS NSF H1 | 9 | 26 | 8 | 20 | 19200 | 1,57 | 1,57 |

BSS 2RS NSF H1 (61800)



: 20° / 100°C

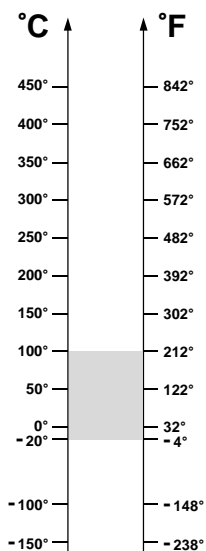


: 20° / 100°C

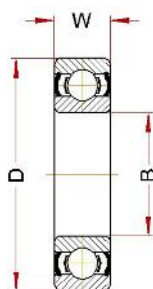


| | (B) | (D) | (W) | ' | / | , kN 100°C | , kN 20°C |
|-----------------------------|-----|-----|-----|-----|-------|---------------|--------------|
| 61800 BSS 2RS NSF H1 | 10 | 19 | 5 | 5,5 | 21760 | 0,42 | 0,42 |
| 61801 BSS 2RS NSF H1 | 12 | 21 | 5 | 6,3 | 20480 | 0,76 | 0,76 |
| 61802 BSS 2RS NSF H1 | 15 | 24 | 5 | 7,4 | 19200 | 1,00 | 1,00 |
| 61803 BSS 2RS NSF H1 | 17 | 26 | 5 | 8,2 | 17920 | 1,16 | 1,16 |
| 61804 BSS 2RS NSF H1 | 20 | 32 | 7 | 18 | 14080 | 1,79 | 1,79 |
| 61805 BSS 2RS NSF H1 | 25 | 37 | 7 | 24 | 12160 | 2,24 | 2,24 |
| 61806 BSS 2RS NSF H1 | 30 | 42 | 7 | 27 | 10240 | 2,68 | 2,68 |
| 61807 BSS 2RS NSF H1 | 35 | 47 | 7 | 32 | 8960 | 2,88 | 2,88 |
| 61808 BSS 2RS NSF H1 | 40 | 52 | 7 | 35 | 8320 | 3,40 | 3,40 |
| 61809 BSS 2RS NSF H1 | 45 | 58 | 7 | 42 | 7040 | 4,48 | 4,48 |
| 61810 BSS 2RS NSF H1 | 50 | 65 | 7 | 52 | 6400 | 5,04 | 5,04 |
| 61811 BSS 2RS NSF H1 | 55 | 72 | 9 | 81 | 5760 | 6,80 | 6,80 |
| 61812 BSS 2RS NSF H1 | 60 | 78 | 10 | 105 | 5440 | 8,80 | 8,80 |
| 61813 BSS 2RS NSF H1 | 65 | 85 | 10 | 124 | 4800 | 9,60 | 9,60 |
| 61814 BSS 2RS NSF H1 | 70 | 90 | 10 | 133 | 4480 | 10,0 | 10,0 |
| 61815 BSS 2RS NSF H1 | 75 | 95 | 10 | 143 | 4288 | 10,7 | 10,7 |

BSS 2RS NSF H1 (61900)



: 20° / 100°C



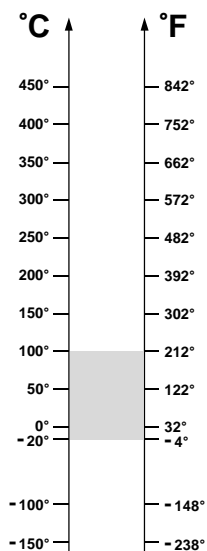
: 20° / 100°C



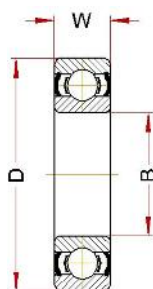
| | (B) | (D) | (W) | ' | / | , kN 100°C | , kN 20°C |
|-----------------------------|-----|-----|-----|-----|------|---------------|--------------|
| 61900 BSS 2RS NSF H1 | 10 | 22 | 6 | 10 | 8500 | 0,75 | 0,75 |
| 61901 BSS 2RS NSF H1 | 12 | 24 | 6 | 11 | 8000 | 0,97 | 0,97 |
| 61902 BSS 2RS NSF H1 | 15 | 28 | 7 | 16 | 7500 | 2,03 | 2,03 |
| 61903 BSS 2RS NSF H1 | 17 | 30 | 7 | 18 | 7000 | 2,30 | 2,30 |
| 61904 BSS 2RS NSF H1 | 20 | 37 | 9 | 22 | 6000 | 3,60 | 3,60 |
| 61905 BSS 2RS NSF H1 | 25 | 42 | 9 | 38 | 5000 | 4,00 | 4,00 |
| 61906 BSS 2RS NSF H1 | 30 | 47 | 9 | 51 | 4250 | 4,52 | 4,52 |
| 61907 BSS 2RS NSF H1 | 35 | 55 | 10 | 80 | 3750 | 6,20 | 6,20 |
| 61908 BSS 2RS NSF H1 | 40 | 62 | 12 | 120 | 3300 | 9,30 | 9,30 |
| 61909 BSS 2RS NSF H1 | 45 | 68 | 12 | 140 | 3000 | 9,80 | 9,80 |
| 61910 BSS 2RS NSF H1 | 50 | 72 | 12 | 160 | 2800 | 10,4 | 10,4 |
| 61911 BSS 2RS NSF H1 | 55 | 80 | 13 | 190 | 2500 | 11,4 | 11,4 |
| 61912 BSS 2RS NSF H1 | 60 | 85 | 13 | 200 | 2250 | 12,0 | 12,0 |
| 61913 BSS 2RS NSF H1 | 65 | 90 | 13 | 220 | 2100 | 13,4 | 13,4 |
| 61914 BSS 2RS NSF H1 | 70 | 100 | 16 | 350 | 2000 | 18,3 | 18,3 |
| 61915 BSS 2RS NSF H1 | 75 | 105 | 16 | 370 | 1800 | 19,3 | 19,3 |

BSS 2RS NSF H1 (6000)

()



: 20° / 100°C

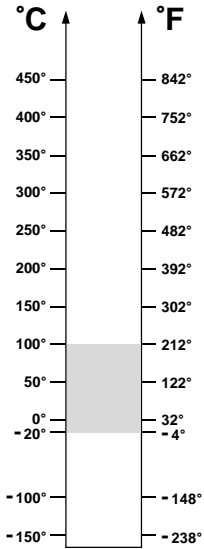


: 20° / 100°C

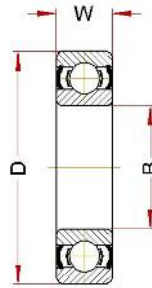


| | (B) | (D) | (W) | ' | ' / | , kN 100°C | , kN 20°C |
|----------------------------|-----|-----|-----|-----|-------|---------------|--------------|
| 6000 BSS 2RS NSF H1 | 10 | 26 | 8 | 20 | 19720 | 1,57 | 1,57 |
| 6001 BSS 2RS NSF H1 | 12 | 28 | 8 | 25 | 16640 | 1,89 | 1,89 |
| 6002 BSS 2RS NSF H1 | 15 | 32 | 9 | 30 | 15360 | 2,28 | 2,28 |
| 6003 BSS 2RS NSF H1 | 17 | 35 | 10 | 40 | 14080 | 2,60 | 2,60 |
| 6004 BSS 2RS NSF H1 | 20 | 42 | 12 | 69 | 12800 | 4,00 | 4,00 |
| 6005 BSS 2RS NSF H1 | 25 | 47 | 12 | 80 | 10880 | 4,68 | 4,68 |
| 6006 BSS 2RS NSF H1 | 30 | 55 | 13 | 120 | 8320 | 6,40 | 6,40 |
| 6007 BSS 2RS NSF H1 | 35 | 62 | 14 | 160 | 7040 | 8,32 | 8,32 |
| 6008 BSS 2RS NSF H1 | 40 | 68 | 15 | 190 | 6400 | 9,44 | 9,44 |
| 6009 BSS 2RS NSF H1 | 45 | 75 | 16 | 250 | 5760 | 11,4 | 11,4 |
| 6010 BSS 2RS NSF H1 | 50 | 80 | 16 | 260 | 5440 | 12,4 | 12,4 |
| 6011 BSS 2RS NSF H1 | 55 | 90 | 18 | 390 | 4800 | 16,9 | 16,9 |
| 6012 BSS 2RS NSF H1 | 60 | 95 | 18 | 420 | 4480 | 18,5 | 18,5 |
| 6013 BSS 2RS NSF H1 | 65 | 100 | 18 | 440 | 4032 | 20,0 | 20,0 |
| 6014 BSS 2RS NSF H1 | 70 | 110 | 20 | 600 | 3840 | 25,2 | 25,2 |
| 6015 BSS 2RS NSF H1 | 75 | 115 | 20 | 640 | 3584 | 27,2 | 27,2 |

BSS 2RS NSF H1 (6200)



: 20° / 100°C

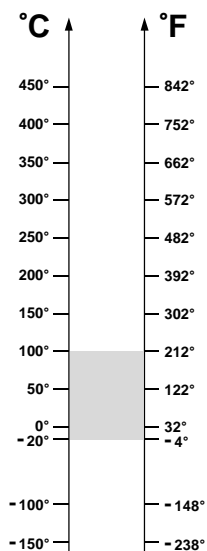


: 20° / 100°C

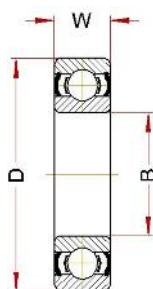


| | (B) | (D) | (W) | ' | ' / ' , | , kN 100°C | , kN 20°C |
|----------------------------|-----|-----|-----|------|---------|---------------|--------------|
| 6200 BSS 2RS NSF H1 | 10 | 30 | 9 | 30 | 16640 | 2,08 | 2,08 |
| 6201 BSS 2RS NSF H1 | 12 | 32 | 10 | 37 | 15360 | 2,48 | 2,48 |
| 6202 BSS 2RS NSF H1 | 15 | 35 | 11 | 45 | 12800 | 3,00 | 3,00 |
| 6203 BSS 2RS NSF H1 | 17 | 40 | 12 | 65 | 11520 | 3,80 | 3,80 |
| 6204 BSS 2RS NSF H1 | 20 | 47 | 14 | 110 | 10240 | 5,24 | 5,24 |
| 6205 BSS 2RS NSF H1 | 25 | 52 | 15 | 130 | 8960 | 6,40 | 6,40 |
| 6206 BSS 2RS NSF H1 | 30 | 62 | 16 | 200 | 7040 | 8,96 | 8,96 |
| 6207 BSS 2RS NSF H1 | 35 | 72 | 17 | 290 | 6080 | 12,24 | 12,24 |
| 6208 BSS 2RS NSF H1 | 40 | 80 | 18 | 370 | 5440 | 14,40 | 14,40 |
| 6209 BSS 2RS NSF H1 | 45 | 85 | 19 | 410 | 5120 | 16,32 | 16,32 |
| 6210 BSS 2RS NSF H1 | 50 | 90 | 20 | 460 | 4800 | 19,20 | 19,20 |
| 6211 BSS 2RS NSF H1 | 55 | 100 | 21 | 610 | 4288 | 23,20 | 23,20 |
| 6212 BSS 2RS NSF H1 | 60 | 110 | 22 | 780 | 3840 | 28,80 | 28,80 |
| 6213 BSS 2RS NSF H1 | 65 | 120 | 23 | 990 | 3392 | 33,20 | 33,20 |
| 6214 BSS 2RS NSF H1 | 70 | 125 | 24 | 1040 | 3200 | 35,20 | 35,20 |
| 6215 BSS 2RS NSF H1 | 75 | 130 | 25 | 1210 | 3072 | 39,20 | 39,20 |

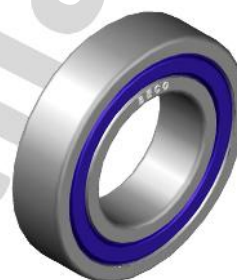
BSS 2RS NSF H1 (6300)



: 20° / 100°C

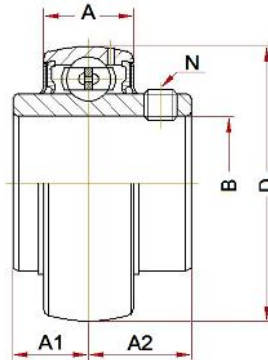
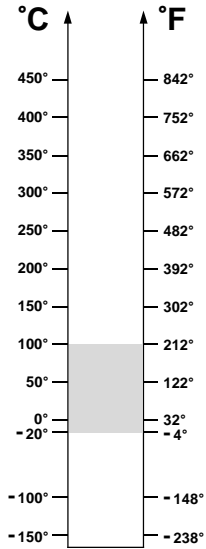


: 20° / 100°C



| | (B) | (D) | (W) | ' | / | , kN 100°C | , kN 20°C |
|----------------------------|-----|-----|-----|------|-------|---------------|--------------|
| 6300 BSS 2RS NSF H1 | 10 | 35 | 11 | 52 | 14080 | 2,76 | 2,76 |
| 6301 BSS 2RS NSF H1 | 12 | 37 | 12 | 60 | 12800 | 3,32 | 3,32 |
| 6302 BSS 2RS NSF H1 | 15 | 42 | 13 | 80 | 11520 | 4,32 | 4,32 |
| 6303 BSS 2RS NSF H1 | 17 | 47 | 14 | 120 | 10240 | 5,54 | 5,54 |
| 6304 BSS 2RS NSF H1 | 20 | 52 | 15 | 140 | 8960 | 6,80 | 6,80 |
| 6305 BSS 2RS NSF H1 | 25 | 62 | 17 | 225 | 7040 | 9,12 | 9,12 |
| 6306 BSS 2RS NSF H1 | 30 | 72 | 19 | 350 | 6080 | 13,0 | 13,0 |
| 6307 BSS 2RS NSF H1 | 35 | 80 | 21 | 450 | 5440 | 15,2 | 15,2 |
| 6308 BSS 2RS NSF H1 | 40 | 90 | 23 | 620 | 4800 | 20,0 | 20,0 |
| 6309 BSS 2RS NSF H1 | 45 | 100 | 25 | 830 | 4288 | 25,6 | 25,6 |
| 6310 BSS 2RS NSF H1 | 50 | 110 | 27 | 1050 | 3840 | 30,4 | 30,4 |
| 6311 BSS 2RS NSF H1 | 55 | 120 | 29 | 1350 | 3392 | 38,0 | 38,0 |
| 6312 BSS 2RS NSF H1 | 60 | 130 | 31 | 1700 | 3200 | 41,6 | 41,6 |
| 6313 BSS 2RS NSF H1 | 65 | 140 | 33 | 2100 | 2880 | 48,0 | 48,0 |
| 6314 BSS 2RS NSF H1 | 70 | 150 | 35 | 2500 | 2752 | 56,2 | 56,2 |
| 6315 BSS 2RS NSF H1 | 75 | 160 | 37 | 3000 | 2560 | 61,2 | 61,2 |

BSS 2RS NSF H1 (UC)

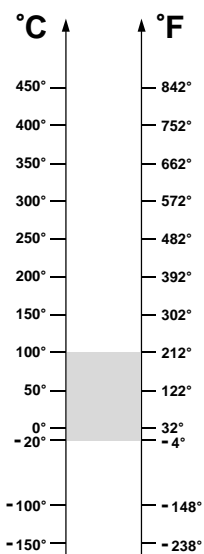
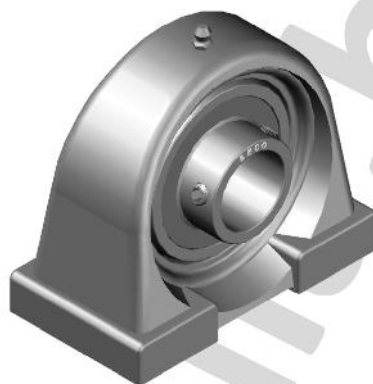


: 20° / 100°C

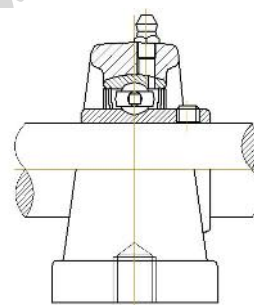
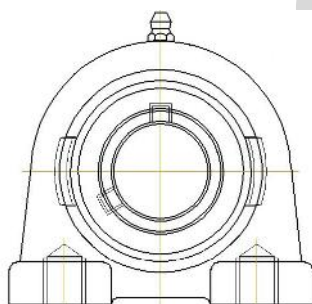
: 20° / 100°C

| | (B) | (D) | A | A1 | A2 | N | | / | , kN 100°C | , kN 20°C |
|------------------------------|-----|-----|--------|------|------|----------|------|------|---------------|--------------|
| UC 201 BSS 2RS NSF H1 | 12 | 47 | 13 ± 2 | 11,5 | 15,9 | M6x0,75 | 195 | 1440 | 5,94 | 5,94 |
| UC 202 BSS 2RS NSF H1 | 15 | 47 | 13 ± 2 | 11,5 | 15,9 | M6x0,75 | 176 | 1440 | 5,94 | 5,94 |
| UC 203 BSS 2RS NSF H1 | 17 | 47 | 13 ± 2 | 11,5 | 15,9 | M6x0,75 | 170 | 1440 | 5,94 | 5,94 |
| UC 204 BSS 2RS NSF H1 | 20 | 47 | 15 ± 2 | 12,7 | 18,3 | M6x0,75 | 139 | 1200 | 5,94 | 5,94 |
| UC 205 BSS 2RS NSF H1 | 25 | 52 | 16 ± 1 | 14,3 | 19,8 | M6x0,75 | 175 | 1120 | 7,00 | 7,00 |
| UC 206 BSS 2RS NSF H1 | 30 | 62 | 17 ± 2 | 15,9 | 22,2 | M6x0,75 | 290 | 880 | 10,1 | 10,1 |
| UC 207 BSS 2RS NSF H1 | 35 | 72 | 18 ± 2 | 17,5 | 25,4 | M8x1,00 | 434 | 760 | 13,6 | 13,6 |
| UC 208 BSS 2RS NSF H1 | 40 | 80 | 19 ± 2 | 19,0 | 30,2 | M8x1,00 | 574 | 680 | 16,3 | 16,3 |
| UC 209 BSS 2RS NSF H1 | 45 | 85 | 20 ± 2 | 19,0 | 30,2 | M8x1,00 | 644 | 640 | 18,5 | 18,5 |
| UC 210 BSS 2RS NSF H1 | 50 | 90 | 22 ± 2 | 19,0 | 32,6 | M10x1,25 | 733 | 600 | 20,8 | 20,8 |
| UC 211 BSS 2RS NSF H1 | 55 | 100 | 23 ± 2 | 22,2 | 33,4 | M10x1,25 | 1300 | 536 | 26,1 | 26,1 |
| UC 212 BSS 2RS NSF H1 | 60 | 110 | 24 ± 3 | 25,4 | 39,7 | M10x1,25 | 1364 | 480 | 29,3 | 29,3 |
| UC 213 BSS 2RS NSF H1 | 65 | 120 | 27 ± 5 | 25,4 | 39,7 | M10x1,25 | 1644 | 424 | 35,8 | 35,8 |
| UC 214 BSS 2RS NSF H1 | 70 | 125 | 28 ± 5 | 30,2 | 44,4 | M12x1,50 | 2100 | 400 | 40,2 | 40,2 |
| UC 215 BSS 2RS NSF H1 | 75 | 130 | 29 ± 5 | 33,3 | 44,5 | M12x1,50 | 3074 | 384 | 44,3 | 44,3 |

BSS 2RS NSF H1 (UCPA)



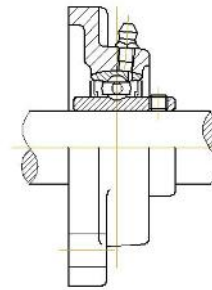
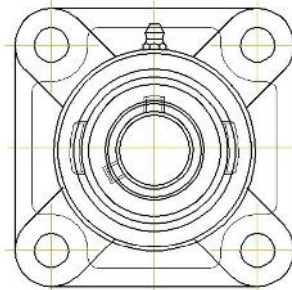
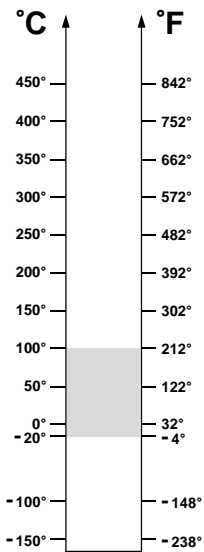
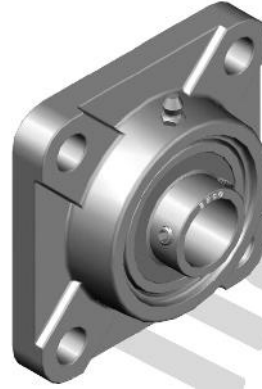
: 20° / 100°C



: 20° / 100°C

| | | |
|--------------------------------|-----------------------|-----------|
| UCPA 201 BSS 2RS NSF H1 | UC 201 BSS 2RS NSF H1 | PA 204 SS |
| UCPA 202 BSS 2RS NSF H1 | UC 202 BSS 2RS NSF H1 | PA 204 SS |
| UCPA 203 BSS 2RS NSF H1 | UC 203 BSS 2RS NSF H1 | PA 204 SS |
| UCPA 204 BSS 2RS NSF H1 | UC 204 BSS 2RS NSF H1 | PA 204 SS |
| UCPA 205 BSS 2RS NSF H1 | UC 205 BSS 2RS NSF H1 | PA 205 SS |
| UCPA 206 BSS 2RS NSF H1 | UC 206 BSS 2RS NSF H1 | PA 206 SS |
| UCPA 207 BSS 2RS NSF H1 | UC 207 BSS 2RS NSF H1 | PA 207 SS |
| UCPA 208 BSS 2RS NSF H1 | UC 208 BSS 2RS NSF H1 | PA 208 SS |
| UCPA 209 BSS 2RS NSF H1 | UC 209 BSS 2RS NSF H1 | PA 209 SS |
| UCPA 210 BSS 2RS NSF H1 | UC 210 BSS 2RS NSF H1 | PA 210 SS |

BSS 2RS NSF H1 (UCF)

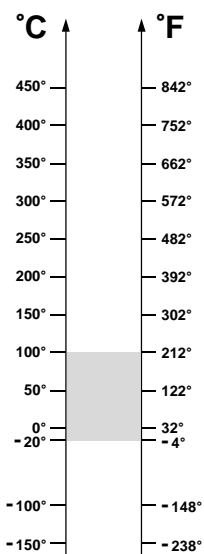


: 20° / 100°C

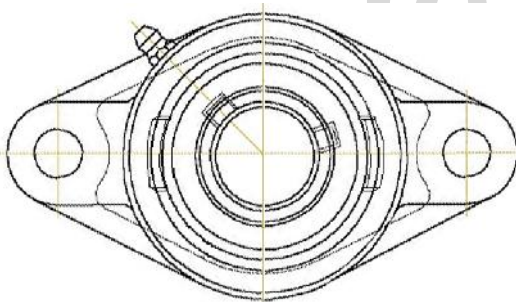
: 20° / 100°C

| | | |
|-------------------------------|-----------------------|----------|
| UCF 201 BSS 2RS NSF H1 | UC 201 BSS 2RS NSF H1 | F 204 SS |
| UCF 202 BSS 2RS NSF H1 | UC 202 BSS 2RS NSF H1 | F 204 SS |
| UCF 203 BSS 2RS NSF H1 | UC 203 BSS 2RS NSF H1 | F 204 SS |
| UCF 204 BSS 2RS NSF H1 | UC 204 BSS 2RS NSF H1 | F 204 SS |
| UCF 205 BSS 2RS NSF H1 | UC 205 BSS 2RS NSF H1 | F 205 SS |
| UCF 206 BSS 2RS NSF H1 | UC 206 BSS 2RS NSF H1 | F 206 SS |
| UCF 207 BSS 2RS NSF H1 | UC 207 BSS 2RS NSF H1 | F 207 SS |
| UCF 208 BSS 2RS NSF H1 | UC 208 BSS 2RS NSF H1 | F 208 SS |
| UCF 209 BSS 2RS NSF H1 | UC 209 BSS 2RS NSF H1 | F 209 SS |
| UCF 210 BSS 2RS NSF H1 | UC 210 BSS 2RS NSF H1 | F 210 SS |
| UCF 211 BSS 2RS NSF H1 | UC 211 BSS 2RS NSF H1 | F 211 SS |
| UCF 212 BSS 2RS NSF H1 | UC 212 BSS 2RS NSF H1 | F 212 SS |
| UCF 213 BSS 2RS NSF H1 | UC 213 BSS 2RS NSF H1 | F 213 SS |
| UCF 214 BSS 2RS NSF H1 | UC 214 BSS 2RS NSF H1 | F 214 SS |
| UCF 215 BSS 2RS NSF H1 | UC 215 BSS 2RS NSF H1 | F 215 SS |

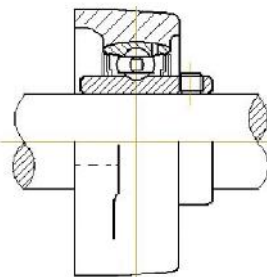
BSS 2RS NSF H1 (UCFL)



: 20° / 100°C

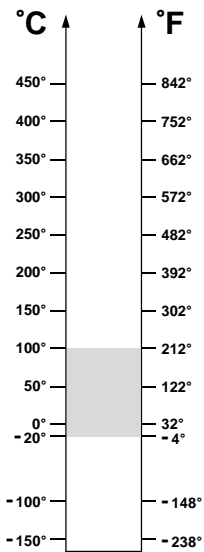


: 20° / 100°C

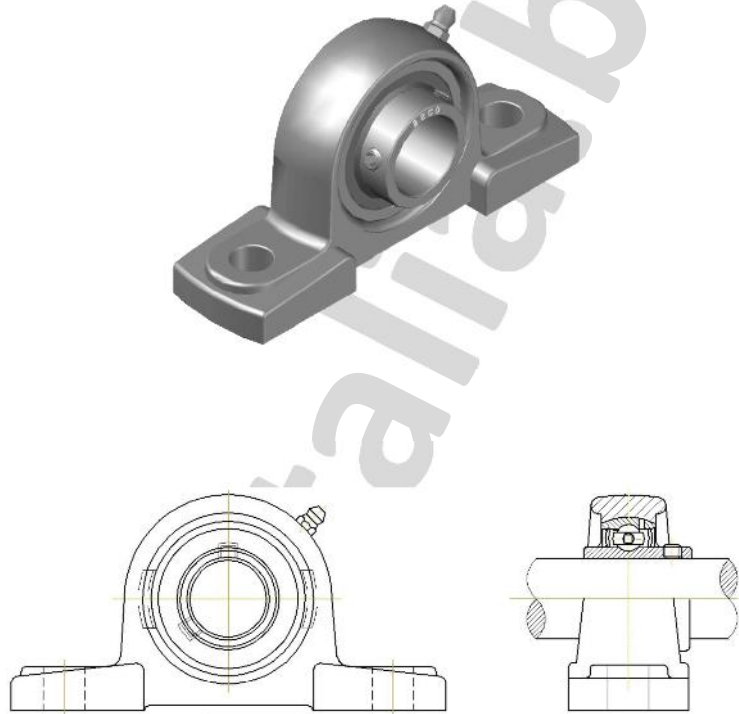


| | | |
|--------------------------------|-----------------------|-----------|
| UCFL 201 BSS 2RS NSF H1 | UC 201 BSS 2RS NSF H1 | FL 204 SS |
| UCFL 202 BSS 2RS NSF H1 | UC 202 BSS 2RS NSF H1 | FL 204 SS |
| UCFL 203 BSS 2RS NSF H1 | UC 203 BSS 2RS NSF H1 | FL 204 SS |
| UCFL 204 BSS 2RS NSF H1 | UC 204 BSS 2RS NSF H1 | FL 204 SS |
| UCFL 205 BSS 2RS NSF H1 | UC 205 BSS 2RS NSF H1 | FL 205 SS |
| UCFL 206 BSS 2RS NSF H1 | UC 206 BSS 2RS NSF H1 | FL 206 SS |
| UCFL 207 BSS 2RS NSF H1 | UC 207 BSS 2RS NSF H1 | FL 207 SS |
| UCFL 208 BSS 2RS NSF H1 | UC 208 BSS 2RS NSF H1 | FL 208 SS |
| UCFL 209 BSS 2RS NSF H1 | UC 209 BSS 2RS NSF H1 | FL 209 SS |
| UCFL 210 BSS 2RS NSF H1 | UC 210 BSS 2RS NSF H1 | FL 210 SS |
| UCFL 211 BSS 2RS NSF H1 | UC 211 BSS 2RS NSF H1 | FL 211 SS |
| UCFL 212 BSS 2RS NSF H1 | UC 212 BSS 2RS NSF H1 | FL 212 SS |

BSS 2RS NSF H1 (UCP)



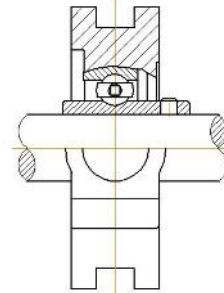
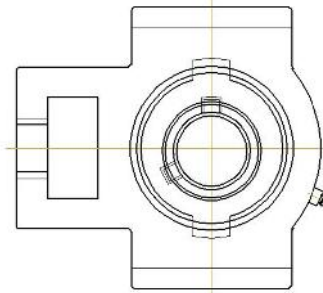
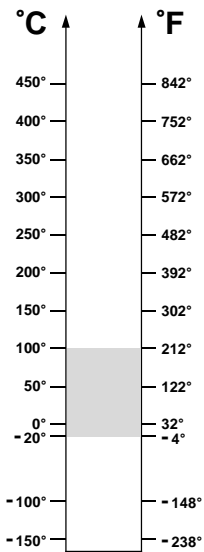
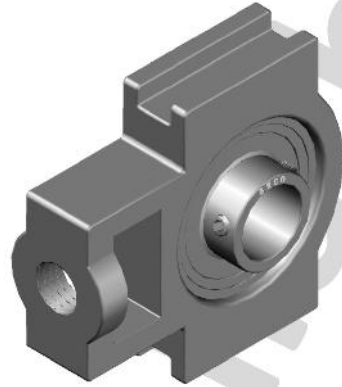
: 20° / 100°C



: 20° / 100°C

| | | |
|-------------------------------|-----------------------|----------|
| UCP 201 BSS 2RS NSF H1 | UC 201 BSS 2RS NSF H1 | P 204 SS |
| UCP 202 BSS 2RS NSF H1 | UC 202 BSS 2RS NSF H1 | P 204 SS |
| UCP 203 BSS 2RS NSF H1 | UC 203 BSS 2RS NSF H1 | P 204 SS |
| UCP 204 BSS 2RS NSF H1 | UC 204 BSS 2RS NSF H1 | P 204 SS |
| UCP 205 BSS 2RS NSF H1 | UC 205 BSS 2RS NSF H1 | P 205 SS |
| UCP 206 BSS 2RS NSF H1 | UC 206 BSS 2RS NSF H1 | P 206 SS |
| UCP 207 BSS 2RS NSF H1 | UC 207 BSS 2RS NSF H1 | P 207 SS |
| UCP 208 BSS 2RS NSF H1 | UC 208 BSS 2RS NSF H1 | P 208 SS |
| UCP 209 BSS 2RS NSF H1 | UC 209 BSS 2RS NSF H1 | P 209 SS |
| UCP 210 BSS 2RS NSF H1 | UC 210 BSS 2RS NSF H1 | P 210 SS |
| UCP 211 BSS 2RS NSF H1 | UC 211 BSS 2RS NSF H1 | P 211 SS |
| UCP 212 BSS 2RS NSF H1 | UC 212 BSS 2RS NSF H1 | P 212 SS |
| UCP 213 BSS 2RS NSF H1 | UC 213 BSS 2RS NSF H1 | P 213 SS |
| UCP 214 BSS 2RS NSF H1 | UC 214 BSS 2RS NSF H1 | P 214 SS |
| UCP 215 BSS 2RS NSF H1 | UC 215 BSS 2RS NSF H1 | P 215 SS |

BSS 2RS NSF H1 (UCT)

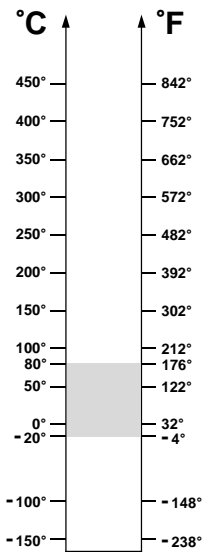


: 20° / 100°C

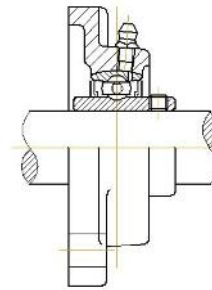
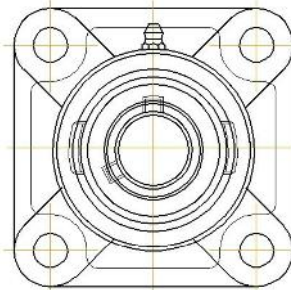
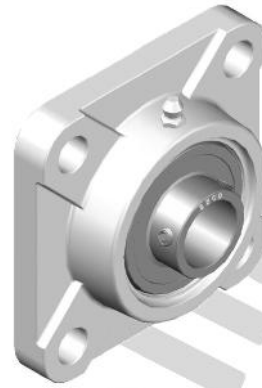
: 20° / 100°C

| | | |
|-------------------------------|-----------------------|----------|
| UCT 201 BSS 2RS NSF H1 | UC 201 BSS 2RS NSF H1 | T 204 SS |
| UCT 202 BSS 2RS NSF H1 | UC 202 BSS 2RS NSF H1 | T 204 SS |
| UCT 203 BSS 2RS NSF H1 | UC 203 BSS 2RS NSF H1 | T 204 SS |
| UCT 204 BSS 2RS NSF H1 | UC 204 BSS 2RS NSF H1 | T 204 SS |
| UCT 205 BSS 2RS NSF H1 | UC 205 BSS 2RS NSF H1 | T 205 SS |
| UCT 206 BSS 2RS NSF H1 | UC 206 BSS 2RS NSF H1 | T 206 SS |
| UCT 207 BSS 2RS NSF H1 | UC 207 BSS 2RS NSF H1 | T 207 SS |
| UCT 208 BSS 2RS NSF H1 | UC 208 BSS 2RS NSF H1 | T 208 SS |
| UCT 209 BSS 2RS NSF H1 | UC 209 BSS 2RS NSF H1 | T 209 SS |
| UCT 210 BSS 2RS NSF H1 | UC 210 BSS 2RS NSF H1 | T 210 SS |
| UCT 211 BSS 2RS NSF H1 | UC 211 BSS 2RS NSF H1 | T 211 SS |
| UCT 212 BSS 2RS NSF H1 | UC 212 BSS 2RS NSF H1 | T 212 SS |

BSS 2RS NSF H1 (UCF PL)



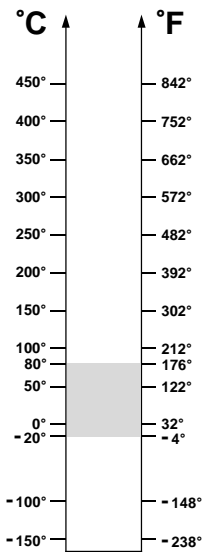
: 20° / 80°C



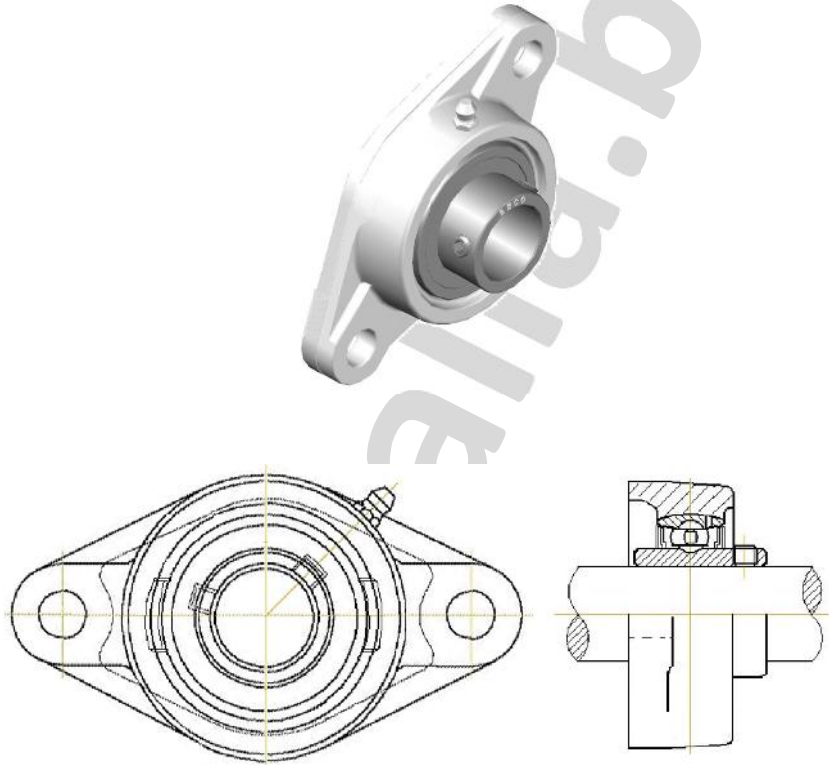
: 20° / 80°C

| | | |
|----------------------------------|-----------------------|--------------------------|
| UCF PL 201 BSS 2RS NSF H1 | UC 201 BSS 2RS NSF H1 | PLASTIC HOUSING F PL 204 |
| UCF PL 202 BSS 2RS NSF H1 | UC 202 BSS 2RS NSF H1 | PLASTIC HOUSING F PL 204 |
| UCF PL 203 BSS 2RS NSF H1 | UC 203 BSS 2RS NSF H1 | PLASTIC HOUSING F PL 204 |
| UCF PL 204 BSS 2RS NSF H1 | UC 204 BSS 2RS NSF H1 | PLASTIC HOUSING F PL 204 |
| UCF PL 205 BSS 2RS NSF H1 | UC 205 BSS 2RS NSF H1 | PLASTIC HOUSING F PL 205 |
| UCF PL 206 BSS 2RS NSF H1 | UC 206 BSS 2RS NSF H1 | PLASTIC HOUSING F PL 206 |
| UCF PL 207 BSS 2RS NSF H1 | UC 207 BSS 2RS NSF H1 | PLASTIC HOUSING F PL 207 |
| UCF PL 208 BSS 2RS NSF H1 | UC 208 BSS 2RS NSF H1 | PLASTIC HOUSING F PL 208 |
| UCF PL 209 BSS 2RS NSF H1 | UC 209 BSS 2RS NSF H1 | PLASTIC HOUSING F PL 209 |
| UCF PL 210 BSS 2RS NSF H1 | UC 210 BSS 2RS NSF H1 | PLASTIC HOUSING F PL 210 |
| UCF PL 211 BSS 2RS NSF H1 | UC 211 BSS 2RS NSF H1 | PLASTIC HOUSING F PL 211 |
| UCF PL 212 BSS 2RS NSF H1 | UC 212 BSS 2RS NSF H1 | PLASTIC HOUSING F PL 212 |

BSS 2RS NSF H1 (UCFL PL)



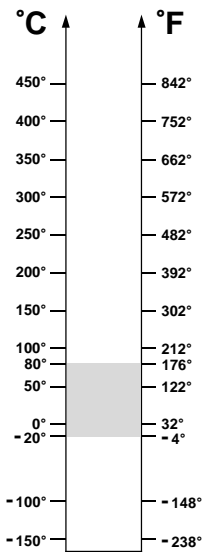
: 20° / 80°C



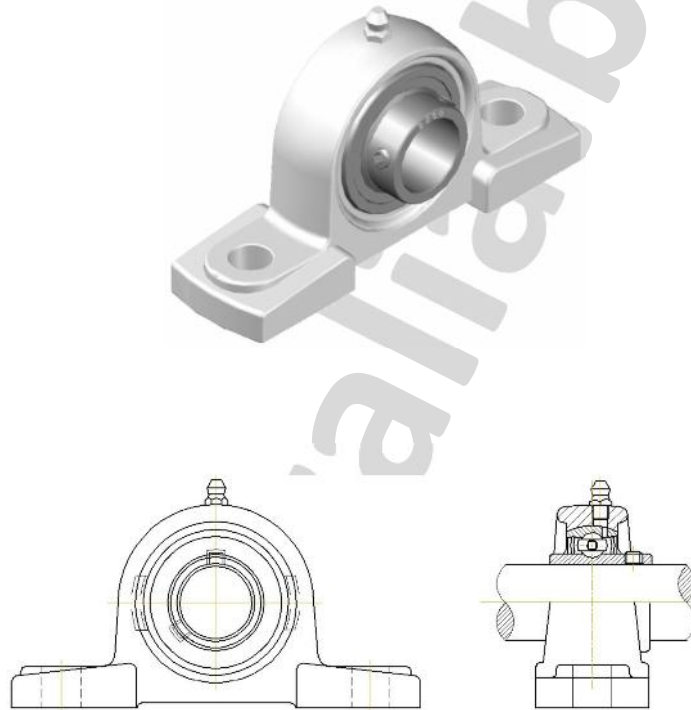
: 20° / 80°C

| | | |
|-----------------------------------|-----------------------|---------------------------|
| UCFL PL 201 BSS 2RS NSF H1 | UC 201 BSS 2RS NSF H1 | PLASTIC HOUSING FL PL 204 |
| UCFL PL 202 BSS 2RS NSF H1 | UC 202 BSS 2RS NSF H1 | PLASTIC HOUSING FL PL 204 |
| UCFL PL 203 BSS 2RS NSF H1 | UC 203 BSS 2RS NSF H1 | PLASTIC HOUSING FL PL 204 |
| UCFL PL 204 BSS 2RS NSF H1 | UC 204 BSS 2RS NSF H1 | PLASTIC HOUSING FL PL 204 |
| UCFL PL 205 BSS 2RS NSF H1 | UC 205 BSS 2RS NSF H1 | PLASTIC HOUSING FL PL 205 |
| UCFL PL 206 BSS 2RS NSF H1 | UC 206 BSS 2RS NSF H1 | PLASTIC HOUSING FL PL 206 |
| UCFL PL 207 BSS 2RS NSF H1 | UC 207 BSS 2RS NSF H1 | PLASTIC HOUSING FL PL 207 |
| UCFL PL 208 BSS 2RS NSF H1 | UC 208 BSS 2RS NSF H1 | PLASTIC HOUSING FL PL 208 |
| UCFL PL 209 BSS 2RS NSF H1 | UC 209 BSS 2RS NSF H1 | PLASTIC HOUSING FL PL 209 |
| UCFL PL 210 BSS 2RS NSF H1 | UC 210 BSS 2RS NSF H1 | PLASTIC HOUSING FL PL 210 |
| UCFL PL 211 BSS 2RS NSF H1 | UC 211 BSS 2RS NSF H1 | PLASTIC HOUSING FL PL 211 |
| UCFL PL 212 BSS 2RS NSF H1 | UC 212 BSS 2RS NSF H1 | PLASTIC HOUSING FL PL 212 |

BSS 2RS NSF H1 (UCP PL)



: 20° / 80°C



: 20° / 80°C

| | | |
|----------------------------------|-----------------------|--------------------------|
| UCP PL 201 BSS 2RS NSF H1 | UC 201 BSS 2RS NSF H1 | PLASTIC HOUSING P PL 204 |
| UCP PL 202 BSS 2RS NSF H1 | UC 202 BSS 2RS NSF H1 | PLASTIC HOUSING P PL 204 |
| UCP PL 203 BSS 2RS NSF H1 | UC 203 BSS 2RS NSF H1 | PLASTIC HOUSING P PL 204 |
| UCP PL 204 BSS 2RS NSF H1 | UC 204 BSS 2RS NSF H1 | PLASTIC HOUSING P PL 204 |
| UCP PL 205 BSS 2RS NSF H1 | UC 205 BSS 2RS NSF H1 | PLASTIC HOUSING P PL 205 |
| UCP PL 206 BSS 2RS NSF H1 | UC 206 BSS 2RS NSF H1 | PLASTIC HOUSING P PL 206 |
| UCP PL 207 BSS 2RS NSF H1 | UC 207 BSS 2RS NSF H1 | PLASTIC HOUSING P PL 207 |
| UCP PL 208 BSS 2RS NSF H1 | UC 208 BSS 2RS NSF H1 | PLASTIC HOUSING P PL 208 |
| UCP PL 209 BSS 2RS NSF H1 | UC 209 BSS 2RS NSF H1 | PLASTIC HOUSING P PL 209 |
| UCP PL 210 BSS 2RS NSF H1 | UC 210 BSS 2RS NSF H1 | PLASTIC HOUSING P PL 210 |
| UCP PL 211 BSS 2RS NSF H1 | UC 211 BSS 2RS NSF H1 | PLASTIC HOUSING P PL 211 |
| UCP PL 212 BSS 2RS NSF H1 | UC 212 BSS 2RS NSF H1 | PLASTIC HOUSING P PL 212 |



BSS ZZ NSF H1

()

BSS ZZ NSF H1

AISI 304

BSS ZZ NSF H1

ZZ

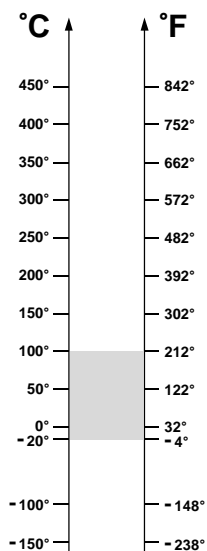
ZZ

(20°C +100°C)

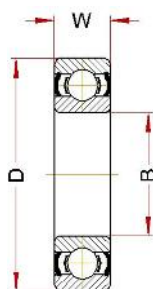
NSF H1



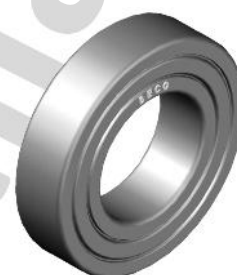
BSS ZZ NSF H1 (6000)



: 20° / 100°C

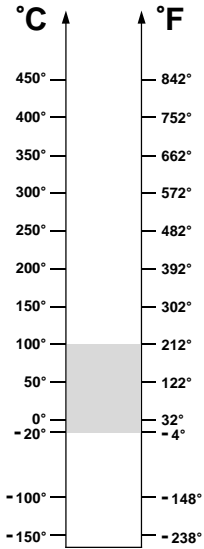


: 20° / 100°C

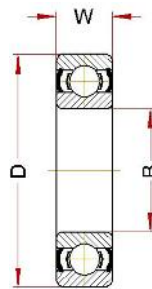


| | (B) | (D) | (W) | ' | / | , kN 100°C | , kN 20°C |
|---------------------------|-----|-----|-----|-----|-------|---------------|--------------|
| 6000 BSS ZZ NSF H1 | 10 | 26 | 8 | 20 | 19720 | 1,57 | 1,57 |
| 6001 BSS ZZ NSF H1 | 12 | 28 | 8 | 25 | 16640 | 1,89 | 1,89 |
| 6002 BSS ZZ NSF H1 | 15 | 32 | 9 | 30 | 15360 | 2,28 | 2,28 |
| 6003 BSS ZZ NSF H1 | 17 | 35 | 10 | 40 | 14080 | 2,60 | 2,60 |
| 6004 BSS ZZ NSF H1 | 20 | 42 | 12 | 69 | 12800 | 4,00 | 4,00 |
| 6005 BSS ZZ NSF H1 | 25 | 47 | 12 | 80 | 10880 | 4,68 | 4,68 |
| 6006 BSS ZZ NSF H1 | 30 | 55 | 13 | 120 | 8320 | 6,40 | 6,40 |
| 6007 BSS ZZ NSF H1 | 35 | 62 | 14 | 160 | 7040 | 8,32 | 8,32 |
| 6008 BSS ZZ NSF H1 | 40 | 68 | 15 | 190 | 6400 | 9,44 | 9,44 |
| 6009 BSS ZZ NSF H1 | 45 | 75 | 16 | 250 | 5760 | 11,4 | 11,4 |
| 6010 BSS ZZ NSF H1 | 50 | 80 | 16 | 260 | 5440 | 12,4 | 12,4 |
| 6011 BSS ZZ NSF H1 | 55 | 90 | 18 | 390 | 4800 | 16,9 | 16,9 |
| 6012 BSS ZZ NSF H1 | 60 | 95 | 18 | 420 | 4480 | 18,5 | 18,5 |
| 6013 BSS ZZ NSF H1 | 65 | 100 | 18 | 440 | 4032 | 20,0 | 20,0 |
| 6014 BSS ZZ NSF H1 | 70 | 110 | 20 | 600 | 3840 | 25,2 | 25,2 |
| 6015 BSS ZZ NSF H1 | 75 | 115 | 20 | 640 | 3584 | 27,2 | 27,2 |

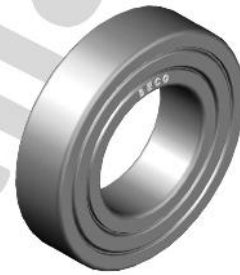
BSS ZZ NSF H1 (6200)



: 20° / 100°C

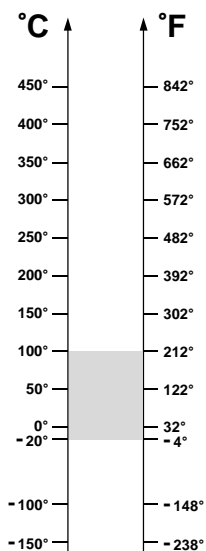


: 20° / 100°C

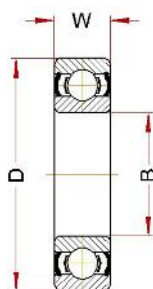


| | (B) | (D) | (W) | ' | / | , kN 100°C | , kN 20°C |
|---------------------------|-----|-----|-----|------|-------|---------------|--------------|
| 6200 BSS ZZ NSF H1 | 10 | 30 | 9 | 30 | 16640 | 2,08 | 2,08 |
| 6201 BSS ZZ NSF H1 | 12 | 32 | 10 | 37 | 15360 | 2,48 | 2,48 |
| 6202 BSS ZZ NSF H1 | 15 | 35 | 11 | 45 | 12800 | 3,00 | 3,00 |
| 6203 BSS ZZ NSF H1 | 17 | 40 | 12 | 65 | 11520 | 3,80 | 3,80 |
| 6204 BSS ZZ NSF H1 | 20 | 47 | 14 | 110 | 10240 | 5,24 | 5,24 |
| 6205 BSS ZZ NSF H1 | 25 | 52 | 15 | 130 | 8960 | 6,40 | 6,40 |
| 6206 BSS ZZ NSF H1 | 30 | 62 | 16 | 200 | 7040 | 8,96 | 8,96 |
| 6207 BSS ZZ NSF H1 | 35 | 72 | 17 | 290 | 6080 | 12,24 | 12,24 |
| 6208 BSS ZZ NSF H1 | 40 | 80 | 18 | 370 | 5440 | 14,40 | 14,40 |
| 6209 BSS ZZ NSF H1 | 45 | 85 | 19 | 410 | 5120 | 16,32 | 16,32 |
| 6210 BSS ZZ NSF H1 | 50 | 90 | 20 | 460 | 4800 | 19,20 | 19,20 |
| 6211 BSS ZZ NSF H1 | 55 | 100 | 21 | 610 | 4288 | 23,20 | 23,20 |
| 6212 BSS ZZ NSF H1 | 60 | 110 | 22 | 780 | 3840 | 28,80 | 28,80 |
| 6213 BSS ZZ NSF H1 | 65 | 120 | 23 | 990 | 3392 | 33,20 | 33,20 |
| 6214 BSS ZZ NSF H1 | 70 | 125 | 24 | 1040 | 3200 | 35,20 | 35,20 |
| 6215 BSS ZZ NSF H1 | 75 | 130 | 25 | 1210 | 3072 | 39,20 | 39,20 |

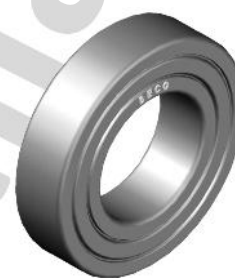
BSS ZZ NSF H1 (6300)



: 20° / 100°C



: 20° / 100°C



| | (B) | (D) | (W) | ' | ' / | , kN 100°C | , kN 20°C |
|--------------------|-----|-----|-----|------|-------|---------------|--------------|
| 6300 BSS ZZ NSF H1 | 10 | 35 | 11 | 52 | 14080 | 2,76 | 2,76 |
| 6301 BSS ZZ NSF H1 | 12 | 37 | 12 | 60 | 12800 | 3,32 | 3,32 |
| 6302 BSS ZZ NSF H1 | 15 | 42 | 13 | 80 | 11520 | 4,32 | 4,32 |
| 6303 BSS ZZ NSF H1 | 17 | 47 | 14 | 120 | 10240 | 5,54 | 5,54 |
| 6304 BSS ZZ NSF H1 | 20 | 52 | 15 | 140 | 8960 | 6,80 | 6,80 |
| 6305 BSS ZZ NSF H1 | 25 | 62 | 17 | 225 | 7040 | 9,12 | 9,12 |
| 6306 BSS ZZ NSF H1 | 30 | 72 | 19 | 350 | 6080 | 13,0 | 13,0 |
| 6307 BSS ZZ NSF H1 | 35 | 80 | 21 | 450 | 5440 | 15,2 | 15,2 |
| 6308 BSS ZZ NSF H1 | 40 | 90 | 23 | 620 | 4800 | 20,0 | 20,0 |
| 6309 BSS ZZ NSF H1 | 45 | 100 | 25 | 830 | 4288 | 25,6 | 25,6 |
| 6310 BSS ZZ NSF H1 | 50 | 110 | 27 | 1050 | 3840 | 30,4 | 30,4 |
| 6311 BSS ZZ NSF H1 | 55 | 120 | 29 | 1350 | 3392 | 38,0 | 38,0 |
| 6312 BSS ZZ NSF H1 | 60 | 130 | 31 | 1700 | 3200 | 41,6 | 41,6 |
| 6313 BSS ZZ NSF H1 | 65 | 140 | 33 | 2100 | 2880 | 48,0 | 48,0 |
| 6314 BSS ZZ NSF H1 | 70 | 150 | 35 | 2500 | 2752 | 56,2 | 56,2 |
| 6315 BSS ZZ NSF H1 | 75 | 160 | 37 | 3000 | 2560 | 61,2 | 61,2 |



NEW
2018

BSS 2RS C3 VT 180°

()

BSS 2RS C3 VT 180°
AISI 304

PTFE 280°C

BSS 2RS C3 VT 180°
Viton.

C3
2RS

PTFE

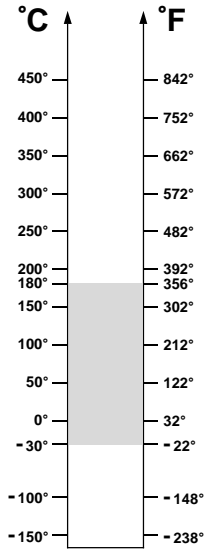
Viton 200°C

280°C

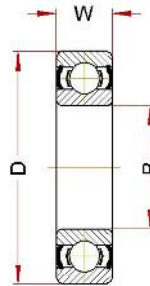


BSS 2RS C3 VT 180° (6000)

()



: 30° / 180°C

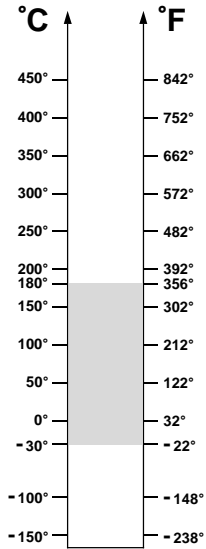


: 30° / 180°C

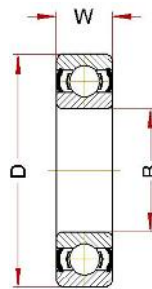
| | (B) | (D) | (W) | ' | / | , kN 180°C | , kN 20°C |
|--------------------------------|-----|-----|-----|-----|------|---------------|--------------|
| 6000 BSS 2RS C3 VT 180° | 10 | 26 | 8 | 20 | 6600 | 1,76 | 1,96 |
| 6001 BSS 2RS C3 VT 180° | 12 | 28 | 8 | 25 | 6380 | 2,10 | 2,36 |
| 6002 BSS 2RS C3 VT 180° | 15 | 32 | 9 | 30 | 6160 | 2,50 | 2,85 |
| 6003 BSS 2RS C3 VT 180° | 17 | 35 | 10 | 40 | 5940 | 2,90 | 3,25 |
| 6004 BSS 2RS C3 VT 180° | 20 | 42 | 12 | 69 | 5720 | 4,50 | 5,00 |
| 6005 BSS 2RS C3 VT 180° | 25 | 47 | 12 | 80 | 5280 | 5,20 | 5,85 |
| 6006 BSS 2RS C3 VT 180° | 30 | 55 | 13 | 120 | 4840 | 7,20 | 8,00 |

BSS 2RS C3 VT 180° (6200)

()



: 30° / 180°C

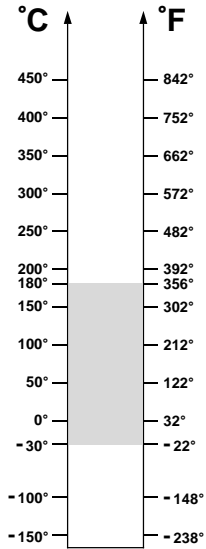


: 30° / 180°C

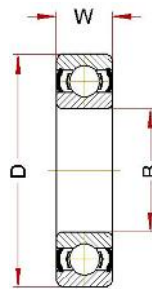
| | (B) | (D) | (W) | ' | ' / | , kN 180°C | , kN 20°C |
|--------------------------------|-----|-----|-----|-----|------|---------------|--------------|
| 6200 BSS 2RS C3 VT 180° | 10 | 30 | 9 | 30 | 6380 | 2,3 | 2,60 |
| 6201 BSS 2RS C3 VT 180° | 12 | 32 | 10 | 37 | 6160 | 2,8 | 3,10 |
| 6202 BSS 2RS C3 VT 180° | 15 | 35 | 11 | 45 | 5940 | 3,3 | 3,75 |
| 6203 BSS 2RS C3 VT 180° | 17 | 40 | 12 | 65 | 5720 | 4,2 | 4,75 |
| 6204 BSS 2RS C3 VT 180° | 20 | 47 | 14 | 110 | 5280 | 5,9 | 6,55 |
| 6205 BSS 2RS C3 VT 180° | 25 | 52 | 15 | 130 | 4840 | 7,2 | 8,00 |
| 6206 BSS 2RS C3 VT 180° | 30 | 62 | 16 | 200 | 4400 | 10,0 | 11,2 |

BSS 2RS C3 VT 180° (6300)

()



: 30° / 180°C



: 30° / 180°C

| | (B) | (D) | (W) | ' | / | , kN 180°C | , kN 20°C |
|--------------------------------|-----|-----|-----|-----|------|---------------|--------------|
| 6300 BSS 2RS C3 VT 180° | 10 | 35 | 11 | 52 | 6160 | 3,1 | 3,45 |
| 6301 BSS 2RS C3 VT 180° | 12 | 37 | 12 | 60 | 5940 | 3,7 | 4,15 |
| 6302 BSS 2RS C3 VT 180° | 15 | 42 | 13 | 80 | 5720 | 4,8 | 5,40 |
| 6303 BSS 2RS C3 VT 180° | 17 | 47 | 14 | 120 | 5280 | 5,8 | 6,55 |
| 6304 BSS 2RS C3 VT 180° | 20 | 52 | 15 | 140 | 4840 | 7,6 | 8,50 |
| 6305 BSS 2RS C3 VT 180° | 25 | 62 | 17 | 225 | 4400 | 10,2 | 11,4 |



BECO

BECO

1.

2.

3.

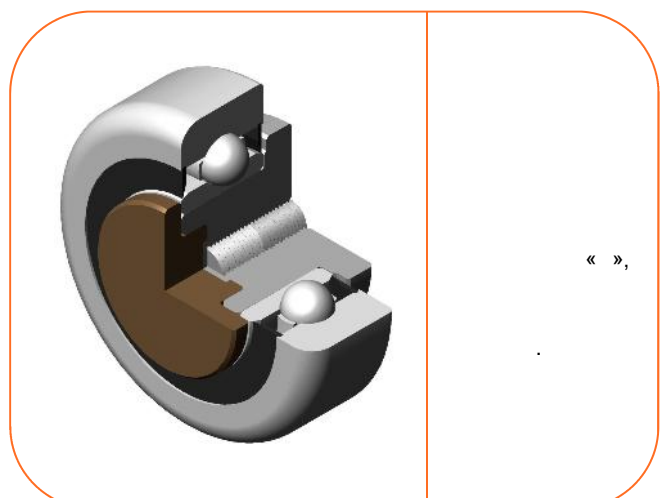
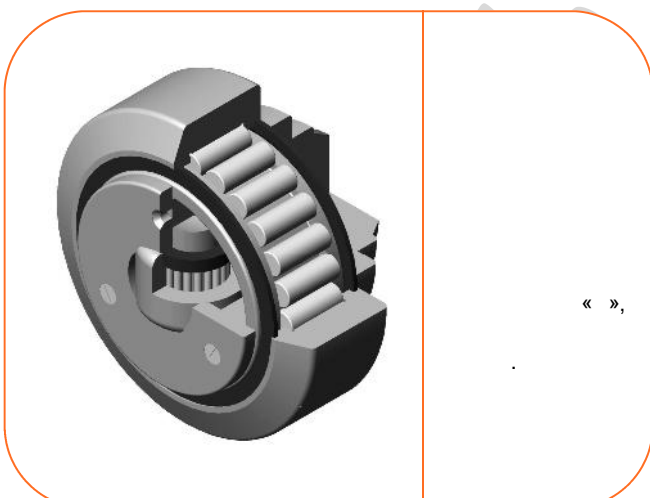
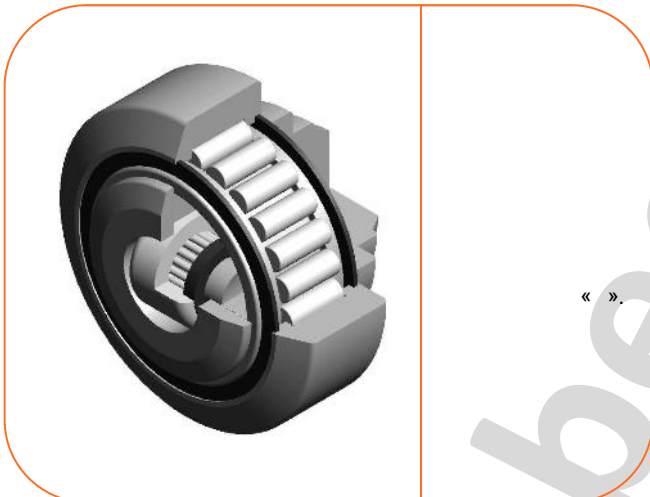
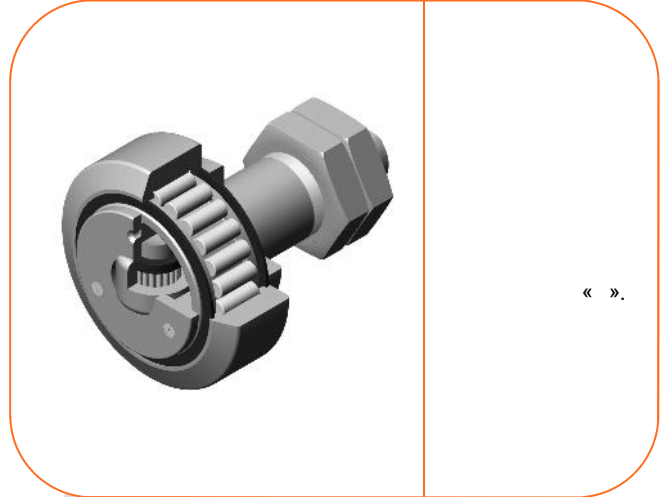
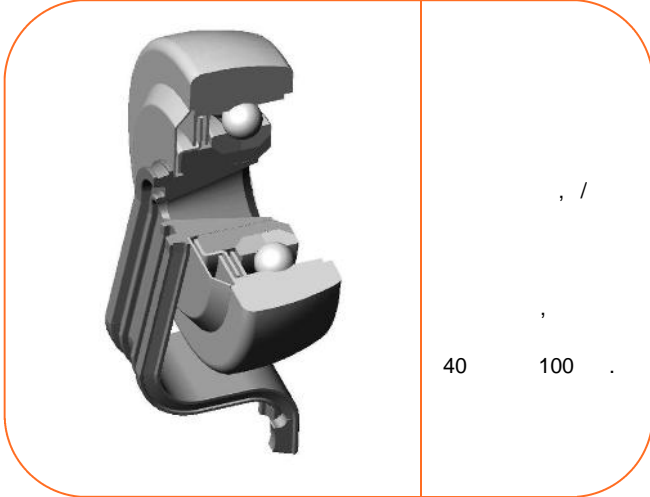
4.

5.

1000

www.becoitalia.biz



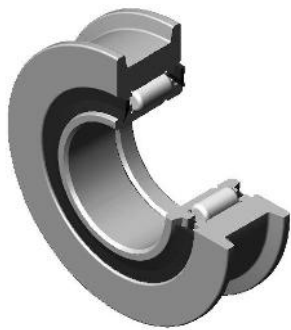




"NISSAN",
"CATERPILLAR",
"CLARK"



"JUNGHEINRICH"



"ELECAR"



"LINDE"



"FIAT-OM"



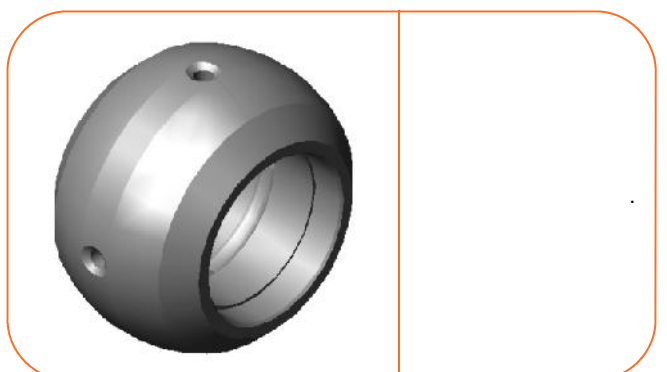
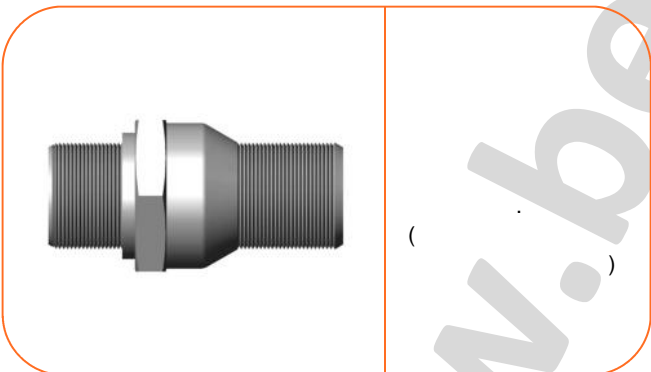
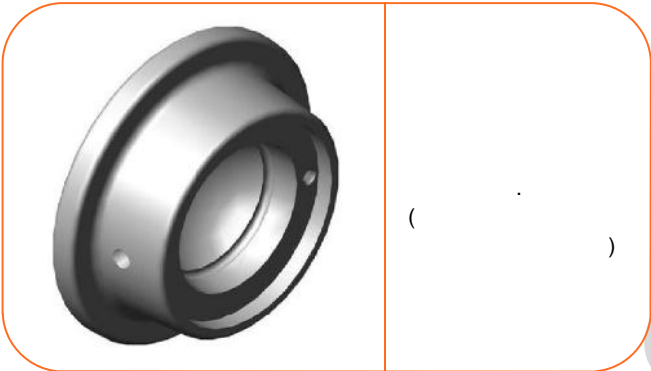
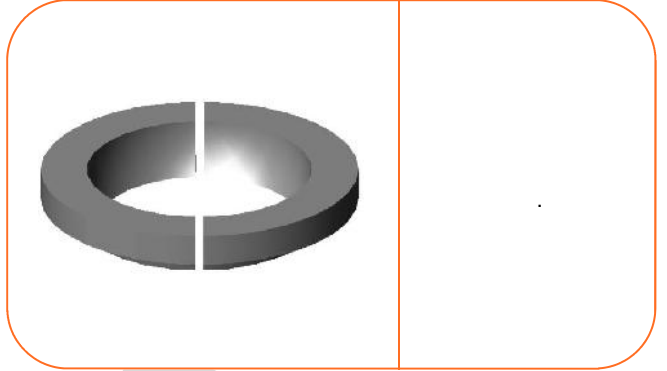
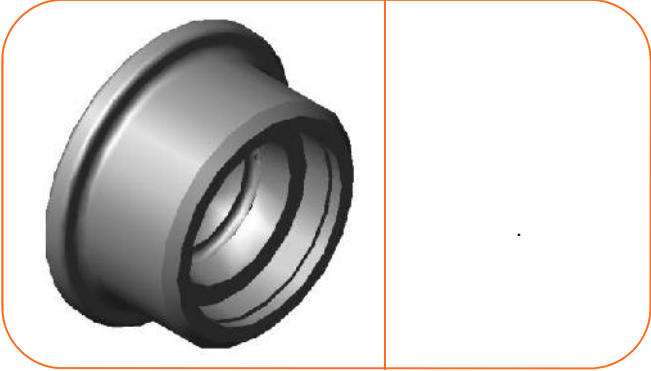
"PGS-LTE"



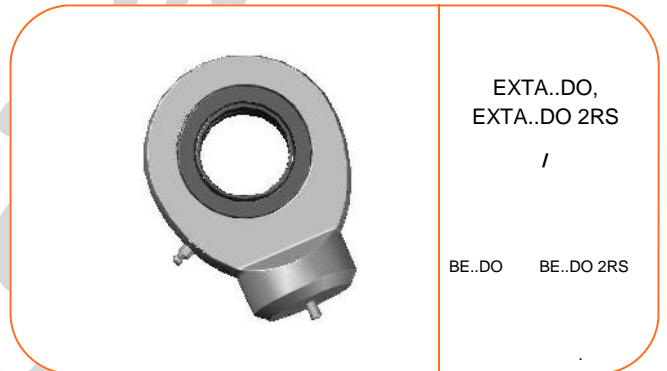
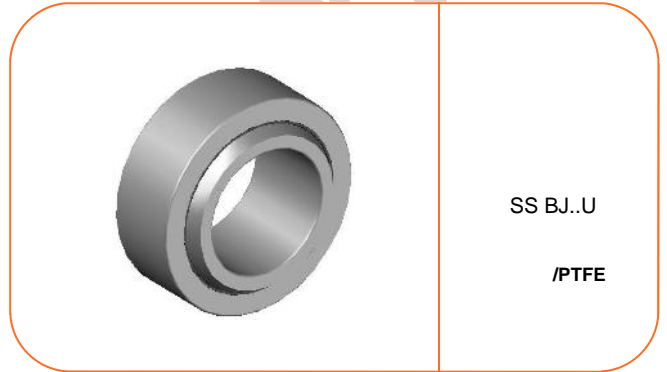
"HYSTER"

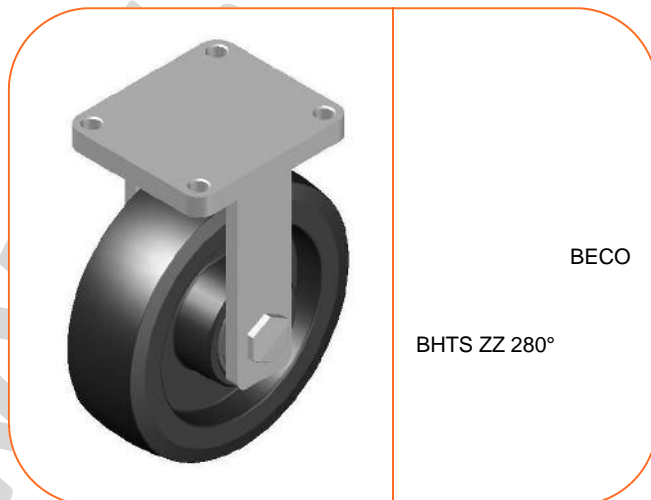
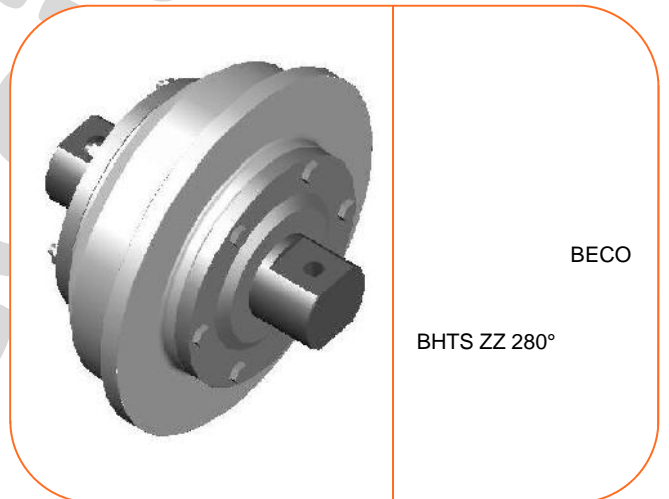
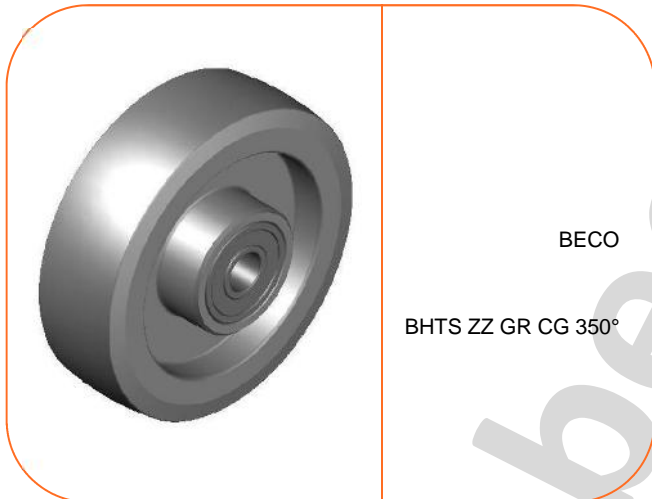
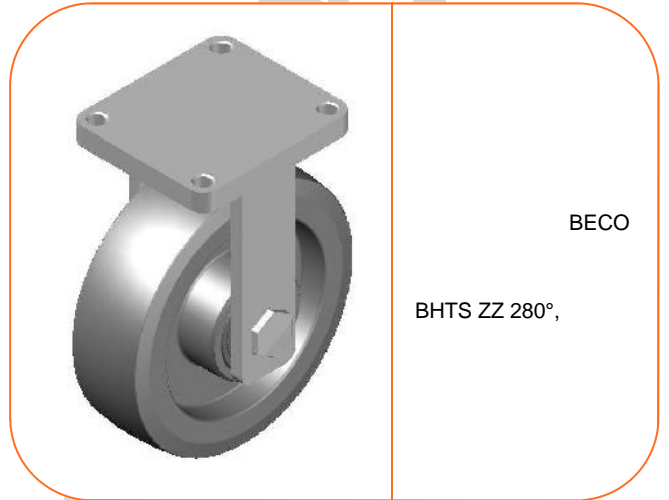


"STILL"



Каталог
JOINTS ROD ENDS 2018







www.becoitalia.biz

©BeCo:

Beco Italia Srl,





BECCO

phone: 0039 0171 66883

fax: 0039 0171 648913

www.becoitalia.biz