

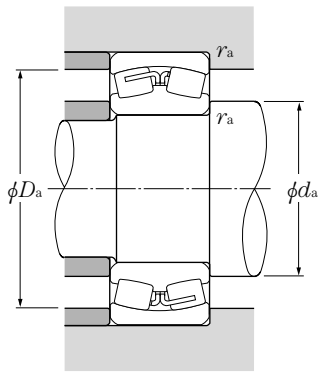
Cylindrical bore

Tapered bore

d 25 ~ 75mm

Boundary dimensions				Basic load ratings				Limiting speeds ¹⁾		Bearing numbers ⁴⁾	
mm				dynamic	static	dynamic	static	min ⁻¹		cylindrical bore	tapered ²⁾ bore
<i>d</i>	<i>D</i>	<i>B</i>	<i>r</i> _{s min³⁾}	<i>C_r</i>	<i>C_{or}</i>	<i>C_r</i>	<i>C_{or}</i>	grease	oil		
25	52	18	1	36.5	36	3 750	3 650	8 500	11 000	22205C	22205CK
30	62	20	1	49	49	5 000	5 000	7 500	9 500	22206C	22206CK
35	72	23	1.1	69.5	71	7 050	7 200	6 500	8 500	22207C	22207CK
40	80	23	1.1	79	88.5	8 050	9 000	6 000	7 600	LH-22208C	LH-22208CK
	90	23	1.5	88	90	8 950	9 150	4 900	6 400	21308C	21308CK
	90	33	1.5	121	128	12 300	13 000	4 500	5 900	22308C	22308CK
45	85	23	1.1	82.5	95	8 400	9 700	5 300	6 800	LH-22209C	LH-22209CK
	100	25	1.5	102	106	10 400	10 800	4 400	5 700	21309C	21309CK
	100	36	1.5	148	167	15 100	17 000	4 100	5 300	22309C	22309CK
50	90	23	1.1	86	102	8 750	10 400	4 900	6 300	LH-22210C	LH-22210CK
	110	27	2	118	127	12 000	12 900	4 000	5 200	21310C	21310CK
	110	40	2	186	212	19 000	21 600	3 700	4 800	22310C	22310CK
55	100	25	1.5	118	144	12 000	14 700	4 400	5 800	LH-22211E	LH-22211EK
	100	25	1.5	93.5	110	9 500	11 200	4 500	5 800	LH-22211B	LH-22211BK
	120	29	2	145	163	14 800	16 600	3 700	4 800	21311	21311K
	120	43	2	204	234	20 800	23 900	3 400	4 400	22311B	22311BK
60	110	28	1.5	150	182	15 300	18 500	4 000	5 300	LH-22212E	LH-22212EK
	110	28	1.5	115	147	11 700	15 000	4 100	5 300	LH-22212B	LH-22212BK
	130	31	2.1	167	191	17 100	19 500	3 400	4 400	21312	21312K
	130	46	2.1	238	273	24 300	27 800	3 100	4 000	22312B	22312BK
65	120	31	1.5	177	217	18 000	22 200	3 800	5 000	LH-22213E	LH-22213EK
	120	31	1.5	143	179	14 600	18 300	3 900	5 000	LH-22213B	LH-22213BK
	140	33	2.1	194	228	19 800	23 200	3 100	4 000	21313	21313K
	140	48	2.1	265	320	27 100	32 500	2 800	3 700	22313B	22313BK
70	125	31	1.5	184	232	18 700	23 600	3 400	4 600	LH-22214E	LH-22214EK
	125	31	1.5	154	201	15 700	20 500	3 500	4 600	LH-22214B	LH-22214BK
	150	35	2.1	220	262	22 400	26 800	2 900	3 800	21314	21314K
	150	51	2.1	325	380	33 000	39 000	2 700	3 500	22314B	22314BK
75	130	31	1.5	190	246	19 400	25 100	3 200	4 200	LH-22215E	LH-22215EK

1) This value was achieved with machined cages and molded resin cages; for pressed cages, 75% of this value is allowable.
 2) "K" indicates bearings have tapered bore with a taper ratio of 1: 12. 3) Smallest allowable dimension for chamfer dimension *r*.
 4) Bearing number with the prefix LH indicates LH series.



Equivalent radial load

dynamic
 $P_r = XF_r + YF_a$

$\frac{F_a}{F_r} \leq e$		$\frac{F_a}{F_r} > e$	
X	Y	X	Y
1	Y_1	0.67	Y_2

static

$P_{or} = F_r + Y_o F_a$

For values of e , Y_2 and Y_o
 see the table below.

Abutment and fillet dimensions					Constant	Axial load factors			Mass (approx.)	
min	mm		max	max	e	Y_1	Y_2	Y_o	kg	
	d_a	D_a							r_{as}	cylindrical bore
31	—	—	46	1	0.35	1.92	2.86	1.88	0.186	0.182
36	—	—	56	1	0.33	2.07	3.09	2.03	0.287	0.282
42	—	—	65	1	0.32	2.09	3.11	2.04	0.446	0.437
47	—	—	73	1	0.29	2.35	3.50	2.30	0.526	0.515
48.5	—	—	81.5	1.5	0.26	2.55	3.80	2.50	0.705	0.694
48.5	—	—	81.5	1.5	0.38	1.76	2.62	1.72	0.974	0.951
52	—	—	78	1	0.27	2.50	3.72	2.44	0.584	0.572
53.5	—	—	91.5	1.5	0.26	2.60	3.87	2.54	0.927	0.912
53.5	—	—	91.5	1.5	0.36	1.86	2.77	1.82	1.33	1.3
57	—	—	83	1	0.25	2.69	4.01	2.63	0.63	0.616
60	—	—	100	2	0.26	2.64	3.93	2.58	1.21	1.19
60	—	—	100	2	0.37	1.80	2.69	1.76	1.79	1.75
63.5	67	89.5	91.5	1.5	0.24	2.83	4.21	2.76	0.808	0.79
63.5	—	—	91.5	1.5	0.28	2.42	3.61	2.37	0.85	0.832
65	—	—	110	2	0.25	2.69	4.01	2.63	1.71	1.69
65	—	—	110	2	0.40	1.68	2.50	1.64	2.3	2.25
68.5	72	98	101.5	1.5	0.25	2.75	4.09	2.69	1.09	1.07
68.5	—	—	101.5	1.5	0.27	2.49	3.71	2.44	1.15	1.13
72	—	—	118	2	0.25	2.69	4.00	2.63	2.1	2.07
72	—	—	118	2	0.42	1.62	2.42	1.59	2.9	2.83
73.5	78.5	107	111.5	1.5	0.25	2.71	4.04	2.65	1.43	1.4
73.5	—	—	111.5	1.5	0.28	2.42	3.60	2.37	1.5	1.47
77	—	—	128	2	0.25	2.69	4.00	2.63	2.55	2.51
77	—	—	128	2	0.38	1.79	2.67	1.75	3.45	3.37
78.5	83.5	112.5	116.5	1.5	0.24	2.86	4.25	2.79	1.51	1.47
78.5	—	—	116.5	1.5	0.26	2.55	3.80	2.50	1.55	1.52
82	—	—	138	2	0.25	2.69	4.00	2.63	3.18	3.14
82	—	—	138	2	0.37	1.81	2.70	1.77	4.22	4.12
83.5	89	117.5	121.5	1.5	0.22	3.00	4.47	2.94	1.59	1.55

Note: Upon request, bearings with oil inlets and oil grooves on the outer ring can also be manufactured. In such cases, please add the suffix "D1" to the end of the bearing number. (Example: 22214BD1)