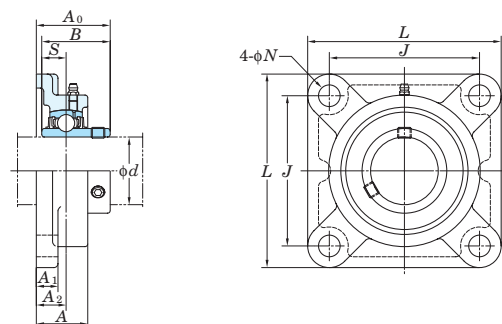
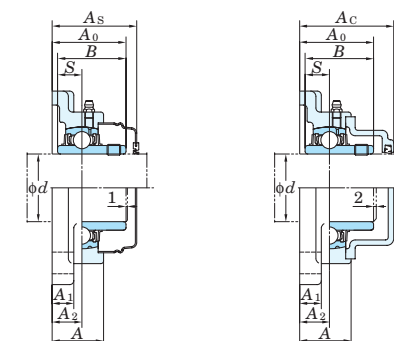


UCF
Cylindrical bore (with set screws)
d 12 ~ (45) mm



With Pressed Steel Cover With Cast Iron Cover



Variations of tolerance of distance from mounting surface to center of spherical bore (ΔA_{2s}) and tolerance of position of bolt hole (X)

Housing No.			ΔA_{2s}	X
F204-F210	FX05-FX10	F305-F310	± 0.5	0.7
F211-F218	FX11-FX20	F311-F328	± 0.8	1

Variations of tolerance of bolt hole diameter (ΔN_s)

Housing No.			ΔN_s
F204-F218	FX05-FX18	F305-F315	± 0.2
	FX20	F316-F328	± 0.3

Shaft Dia. mm inch	Dimensions inch mm	Bolt Size inch mm	Standard			Basic Load Ratings kN	Factor	With Pressed Steel Cover				With Cast Iron Cover			
			Unit No.	Housing No.	Bearing No.			Unit No. Open Type	Unit No. Closed Type	Dimension mm	Dimension inch	Mass kg	Unit No. Open Type	Unit No. Closed Type	Dimension mm
d	L A J N A1 A2 A0 B S					C_r C_{0r}	f_0	As				Ac			
12	1/2														
15	5/8														
17	3/4														
20	7/8														
25	15/16														
	1														
	1														
30	1 1/8														
	1 3/16														
	1 1/4														
	1 3/16														
35	1 1/4														
	1 5/16														
	1 3/8														
	1 7/16														
	1 3/8														
40	1 1/2														
	1 9/16														
	1 1/2														
	1 1/2														
	1 1/2														
	1 1/2														
45	1 5/8														
	1 11/16														
	1 3/4														
	1 3/4														
	1 3/4														

Remarks 1. In Part No. of unit and units with covers, fitting codes follow bore diameter numbers. (See Table 10.5 in P.51.)

2. Part No. of applicable grease fittings are shown below.

A-1/4-28UNF 201-210, X05-X09, 305-308

A-R1/8 211-218, X10-X20, 309-328

3. As for the triple seal type product (from 201 to 205 are the double seal type products), accessory code L3 (L2) follows the Part No. of unit or bearing. (Example of Part No. : UCF206JL3, UC206L3)

4. For the dimensions and forms of applicable bearings, see the dimensional tables of ball bearing for unit.

5. Housings of nodular graphite cast iron are also available.