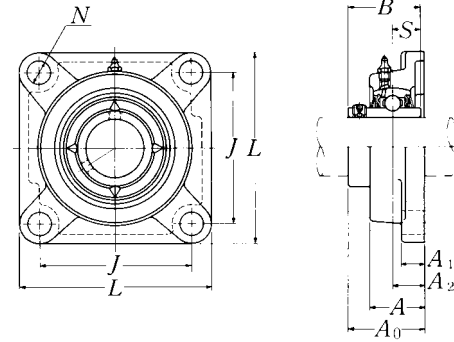


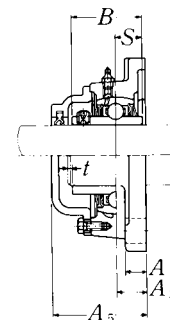
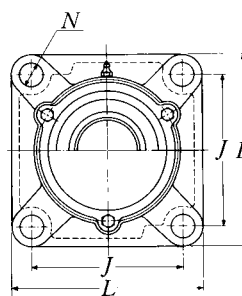
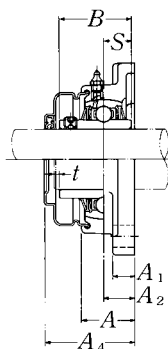
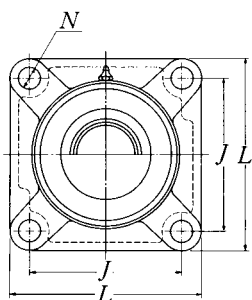
Square flanged units cast housing
Set screw type



Shaft dia.	Unit number ¹⁾	Nominal dimensions									Bolt size	Bearing number
		mm		inch								
mm inch		L	J	A ₂	A ₁	A	N	A ₀	B	S	mm inch	
12 1/2	UCF201D1 UCF201-008D1	86 3 3/8	64 2 33/64	15 19/32	11 7/16	25.5 1	12 15/32	33.3 1 5/16	31 1.2205	12.7 0.500	M10 3/8	UC201D1 UC201-008D1
15 9/16 5/8	UCF202D1 UCF202-009D1 UCF202-010D1	86 3 3/8	64 2 33/64	15 19/32	11 7/16	25.5 1	12 15/32	33.3 1 5/16	31 1.2205	12.7 0.500	M10 3/8	UC202D1 UC202-009D1 UC202-010D1
17 1 1/16	UCF203D1 UCF203-011D1	86 3 3/8	64 2 33/64	15 19/32	11 7/16	25.5 1	12 15/32	33.3 1 5/16	31 1.2205	12.7 0.500	M10 3/8	UC203D1 UC203-011D1
20 3/4	UCF204D1 UCF204-012D1	86 3 3/8	64 2 33/64	15 19/32	11 7/16	25.5 1	12 15/32	33.3 1 5/16	31 1.2205	12.7 0.500	M10 3/8	UC204D1 UC204-012D1
25 1 3/16 7/8 1 5/16 1	UCF205D1 UCF205-013D1 UCF205-014D1 UCF205-015D1 UCF205-100D1	95 3 3/4	70 2 3/4	16 5/8	13 1/2	27 1 1/16	12 15/32	35.8 1 13/32	34.1 1.3425	14.3 0.563	M10 3/8	UC205D1 UC205-013D1 UC205-014D1 UC205-015D1 UC205-100D1
30 1 1/16 1 1/8 1 3/16 1 1/4	UCF206D1 UCF206-101D1 UCF206-102D1 UCF206-103D1 UCF206-104D1	108 4 1/4	83 3 17/64	18 4 5/64	13 1/2	31 1 7/32	12 15/32	40.2 1 37/64	38.1 1.5000	15.9 0.626	M10 3/8	UC206D1 UC206-101D1 UC206-102D1 UC206-103D1 UC206-104D1
35 1 1/4 1 5/16 1 3/8 1 7/16	UCF207D1 UCF207-104D1 UCF207-105D1 UCF207-106D1 UCF207-107D1	117 4 19/32	92 3 5/8	19 3/4	15 19/32	34 1 11/32	14 35/64	44.4 1 3/4	42.9 1.6890	17.5 0.689	M12 7/16	UC207D1 UC207-104D1 UC207-105D1 UC207-106D1 UC207-107D1
40 1 1/2 1 9/16	UCF208D1 UCF208-108D1 UCF208-109D1	130 5 1/8	102 4 1/64	21 53/64	15 19/32	36 1 13/32	16 5/8	51.2 2 1/64	49.2 1.9370	19 0.748	M14 1/2	UC208D1 UC208-108D1 UC208-109D1
45 1 5/8 1 11/16 1 3/4	UCF209D1 UCF209-110D1 UCF209-111D1 UCF209-112D1	137 5 13/32	105 4 9/64	22 55/64	16 5/8	38 1 1/2	16 5/8	52.2 2 1/16	49.2 1.9370	19 0.748	M14 1/2	UC209D1 UC209-110D1 UC209-111D1 UC209-112D1

Remarks: 1) These numbers indicate relubricatable type. If maintenance free type is needed, please order without suffix "D1".

Note: Please refer to page 36 for size of grease fitting.

**Pressed steel dust cover type**Open end: **S-UCF...D1**Closed end: **SM-UCF...D1****Cast dust cover type**Open end: **C-UCF...D1**Closed end: **CM-UCF...D1**

Housing number ¹⁾	Unit number ¹⁾ pressed steel dust cover type	Unit number ¹⁾ cast dust cover type	Nominal dimensions			Mass of unit		
			mm	inch		kg	lb	
			t max.	A ₄	A ₅	UCF	S(SM)	C(CM)
F204D1	S(SM)-UCF201D1	C(CM)-UCF201D1	2	40.5	46	0.6	0.6	0.8
F204D1	S(SM)-UCF201-008D1	C(CM)-UCF201-008D1	$\frac{5}{64}$	$1\frac{19}{32}$	$1\frac{13}{16}$	1.3	1.3	1.8
F204D1	S(SM)-UCF202D1	C(CM)-UCF202D1	2	40.5	46	0.6	0.6	0.8
F204D1	S(SM)-UCF202-009D1	C(CM)-UCF202-009D1	$\frac{5}{64}$	$1\frac{19}{32}$	$1\frac{13}{16}$	1.3	1.3	1.8
F204D1	S(SM)-UCF202-010D1	C(CM)-UCF202-010D1						
F204D1	S(SM)-UCF203D1	C(CM)-UCF203D1	2	40.5	46	0.6	0.6	0.8
F204D1	S(SM)-UCF203-011D1	C(CM)-UCF203-011D1	$\frac{5}{64}$	$1\frac{19}{32}$	$1\frac{13}{16}$	1.3	1.3	1.8
F204D1	S(SM)-UCF204D1	C(CM)-UCF204D1	2	40.5	46	0.6	0.6	0.7
F204D1	S(SM)-UCF204-012D1	C(CM)-UCF204-012D1	$\frac{5}{64}$	$1\frac{19}{32}$	$1\frac{13}{16}$	1.3	1.3	1.8
F205D1	S(SM)-UCF205D1	C(CM)-UCF205D1	2	44.5	51	0.8	0.8	0.9
F205D1	S(SM)-UCF205-013D1	C(CM)-UCF205-013D1						
F205D1	S(SM)-UCF205-014D1	C(CM)-UCF205-014D1	$\frac{5}{64}$	$1\frac{3}{4}$	2	1.8	1.8	2.0
F205D1	S(SM)-UCF205-015D1	C(CM)-UCF205-015D1						
F205D1	S(SM)-UCF205-100D1	C(CM)-UCF205-100D1						
F206D1	S(SM)-UCF206D1	C(CM)-UCF206D1	2	49	56	1.1	1.1	1.3
F206D1	S(SM)-UCF206-101D1	C(CM)-UCF206-101D1						
F206D1	S(SM)-UCF206-102D1	C(CM)-UCF206-102D1	$\frac{5}{64}$	$1\frac{15}{16}$	$2\frac{7}{32}$	2.4	2.4	2.9
F206D1	S(SM)-UCF206-103D1	C(CM)-UCF206-103D1						
F206D1	S(SM)-UCF206-104D1	C(CM)-UCF206-104D1						
F207D1	S(SM)-UCF207D1	C(CM)-UCF207D1	3	55	59	1.5	1.5	1.8
F207D1	S(SM)-UCF207-104D1	C(CM)-UCF207-104D1						
F207D1	S(SM)-UCF207-105D1	C(CM)-UCF207-105D1	$\frac{1}{8}$	$2\frac{5}{32}$	$2\frac{5}{16}$	3.3	3.3	4.0
F207D1	S(SM)-UCF207-106D1	C(CM)-UCF207-106D1						
F207D1	S(SM)-UCF207-107D1	C(CM)-UCF207-107D1						
F208D1	S(SM)-UCF208D1	C(CM)-UCF208D1	3	62	66	1.7	1.8	2.2
F208D1	S(SM)-UCF208-108D1	C(CM)-UCF208-108D1	$\frac{1}{8}$	$2\frac{7}{16}$	$2\frac{19}{32}$	3.8	4.0	4.9
F208D1	S(SM)-UCF208-109D1	C(CM)-UCF208-109D1						
F209D1	S(SM)-UCF209D1	C(CM)-UCF209D1	3	63	70	2.1	2.2	2.6
F209D1	S(SM)-UCF209-110D1	C(CM)-UCF209-110D1						
F209D1	S(SM)-UCF209-111D1	C(CM)-UCF209-111D1	$\frac{1}{8}$	$2\frac{15}{32}$	$2\frac{3}{4}$	4.6	4.9	5.7
F209D1	S(SM)-UCF209-112D1	C(CM)-UCF209-112D1						