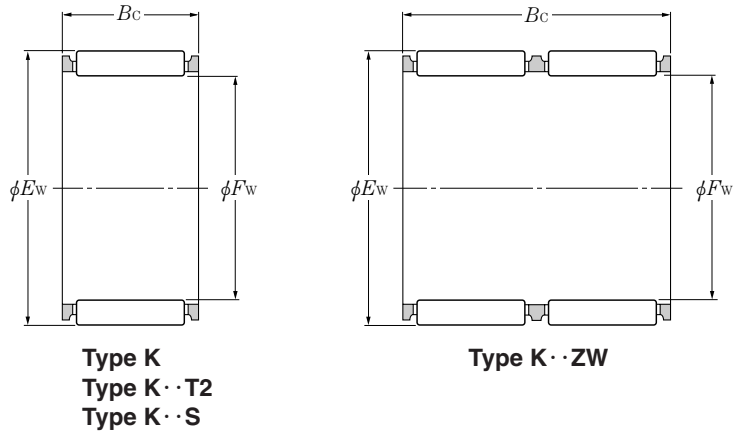


Type K
Type K · T2
Type K · S
Type K · ZW
Type KMJ



Type K
Type K · T2
Type K · S

Type K · ZW

F_w 3~12mm

Boundary dimensions			Basic load ratings				Limiting speeds		Bearing numbers	Mass
mm			dynamic	static	dynamic	static	r/min			kg
F_w	E_w	B_c	N		kgf		grease	oil		(approx.)
			C_r	C_{or}	C_r	C_{or}				
3	6	7 ^{-0.2} _{-0.55}	1 460	970	149	99	33 000	50 000	K3 × 6 × 7T2	0.0004
4	7	7 ^{-0.2} _{-0.55}	1 770	1 270	180	129	30 000	45 000	K4 × 7 × 7T2	0.0005
5	8	8 ^{-0.2} _{-0.55}	2 640	2 190	269	224	27 000	40 000	K5 × 8 × 8T2	0.0007
	8	10 ^{-0.2} _{-0.55}	2 720	2 250	277	230	27 000	40 000	K5 × 8 × 10T2	0.0009
6	9	8	2 660	2 280	272	233	25 000	37 000	K6 × 9 × 8T2	0.0009
	9	10 ^{-0.2} _{-0.55}	3 400	3 150	345	320	25 000	37 000	K6 × 9 × 10T2	0.0011
	10	13	4 400	3 700	450	380	25 000	37 000	K6 × 10 × 13T2	0.0019
7	10	8 ^{-0.2} _{-0.55}	2 670	2 350	272	239	23 000	34 000	K7 × 10 × 8T2	0.0009
	10	10 ^{-0.2} _{-0.55}	3 400	3 200	345	330	23 000	34 000	K7 × 10 × 10T2	0.0011
8	11	8	3 150	3 000	320	305	21 000	32 000	K8 × 11 × 8T2	0.0011
	11	10	4 000	4 100	410	420	21 000	32 000	K8 × 11 × 10T2	0.0013
	11	13 ^{-0.2} _{-0.55}	4 850	5 200	495	535	21 000	32 000	K8 × 11 × 13	0.0026
	12	10 ^{-0.2} _{-0.55}	4 650	4 150	475	425	21 000	32 000	K8 × 12 × 10T2	0.0020
	12	12	5 600	5 300	570	540	21 000	32 000	K8 × 12 × 12	0.0034
9	12	13	5 600	5 300	570	540	21 000	32 000	K8 × 12 × 13	0.0036
	12	10 ^{-0.2} _{-0.55}	4 550	5 000	465	510	20 000	30 000	K9 × 12 × 10T2	0.0015
10	12	13 ^{-0.2} _{-0.55}	5 500	6 400	560	650	20 000	30 000	K9 × 12 × 13T2	0.0021
	13	10	4 550	5 100	460	520	19 000	28 000	K10 × 13 × 10T2	0.0016
11	13	13	5 450	6 450	555	660	19 000	28 000	K10 × 13 × 13	0.0031
	14	8 ^{-0.2} _{-0.55}	4 300	3 950	435	405	19 000	28 000	K10 × 14 × 8	0.0027
	14	10 ^{-0.2} _{-0.55}	5 500	5 450	560	555	19 000	28 000	K10 × 14 × 10	0.0034
	14	13	6 600	6 900	675	705	19 000	28 000	K10 × 14 × 13	0.0044
	16	12	7 100	5 950	720	610	19 000	28 000	K10 × 16 × 12	0.0066
11	14	10 ^{-0.2} _{-0.55}	5 050	6 000	515	615	18 000	27 000	K11 × 14 × 10	0.0028
12	15	9	4 450	5 250	455	535	17 000	26 000	K12 × 15 × 9	0.0027
	15	10	5 000	6 100	510	620	17 000	26 000	K12 × 15 × 10S	0.0033
	15	13 ^{-0.2} _{-0.55}	6 000	7 700	615	785	17 000	26 000	K12 × 15 × 13	0.0038
	15	20	8 550	12 200	875	1 240	17 000	26 000	K12 × 15 × 20ZW	0.0059
	16	8	4 850	4 900	495	500	17 000	26 000	K12 × 16 × 8	0.0034

Remarks: Even when an order is placed with reference to "Nominal bearing number" listed in this table, the ordered bearings are subject to being delivered with different cage type.