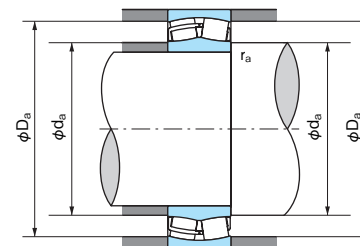
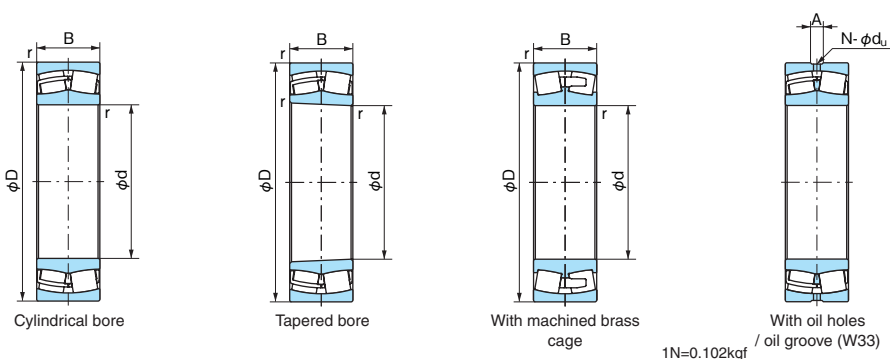


# Spherical Roller Bearings

Bore Diameter: 120~130mm



Dynamic equivalent radial load  
Pr=XFr+YFa

$\frac{F_a}{F_r} \leq e$		$\frac{F_a}{F_r} > e$	
X	Y	X	Y
1	Y <sub>1</sub>	0.67	Y <sub>2</sub>

Values of Y<sub>1</sub>, Y<sub>2</sub> and e from table.

Static equivalent radial load  
P<sub>0</sub>=Fr+Y<sub>0</sub>Fa

Values Y<sub>0</sub> from table.

1N=0.102kgf

Boundary dimensions (mm)				Bearing No.		Basic dynamic load rating Cr (N)	Basic static load rating Cor (N)	Limiting speed (min <sup>-1</sup> )		Dimensions of lubrication holes and grooves			Abutment and fillet dimensions (mm)			Constant e	Axial load factor			Mass (kg) Cylindrical bore (Reference)	Bearing No.	
d	D	B	r (min)	Cylindrical bore	Tapered bore			Grease lubrication	Oil lubrication	Hole diameter d <sub>h</sub>	Groove width A	Hole count N	d <sub>a</sub> (min)	D <sub>a</sub> (max)	r <sub>a</sub> (max)		Y <sub>1</sub>	Y <sub>2</sub>	Y <sub>0</sub>		Cylindrical bore	Tapered bore
120	180	46	2	23024E	23024EK	430000	515000	2,550	3,300	5	9	4	130.0	170.0	2.0	0.23	2.95	4.39	2.89	4.20	23024E	23024EK
	180	46	2	23024AX	23024AXK	430000	516000	3,450	4,500	5	9	4	130.0	170.0	2.0	0.27	2.52	3.76	2.47	4.20	23024AX	23024AXK
	180	60	2	24024EX1	24024EX1K30	540000	683000	2,550	3,450	5	9	4	130.0	170.0	2.0	0.30	2.23	3.32	2.18	5.36	24024EX1	24024EX1K30
	180	60	2	24024AX	24024AXK30	540000	627000	2,550	3,450	5	9	4	130.0	170.0	2.0	0.31	2.21	3.29	2.16	5.26	24024AX	24024AXK30
	200	62	2	23124EX1	23124EX1K	675000	720000	2,400	3,300	5	9	6	130.0	190.0	2.0	0.29	2.34	3.49	2.29	7.90	23124EX1	23124EX1K
	200	62	2	23124AX	23124AXK	645000	734000	2,700	3,600	5	9	6	130.0	190.0	2.0	0.34	2.00	2.99	1.96	8.10	23124AX	23124AXK
	200	80	2	24124EX1	24124EX1K30	815000	970000	2,400	3,300	6	11	6	130.0	190.0	2.0	0.38	1.78	2.65	1.74	10.1	24124EX1	24124EX1K30
	200	80	2	24124AX	24124AXK30	780000	850000	2,400	3,300	6	11	6	130.0	190.0	2.0	0.39	1.73	2.58	1.69	9.90	24124AX	24124AXK30
	215	58	2.1	22224EX	22224EXK	785000	765000	2,400	3,000	5	10	6	132.0	203.0	2.0	0.26	2.60	3.87	2.54	9.28	22224EX	22224EXK
	215	58	2.1	22224AEX	22224AEXK	700000	650000	3,150	4,050	5	10	6	132.0	203.0	2.0	0.30	2.28	3.40	2.23	9.35	22224AEX	22224AEXK
	215	76	2.1	23224EX1	23224EX1K	860000	956000	2,250	3,150	6	13	6	132.0	203.0	2.0	0.34	1.97	2.94	1.93	12.0	23224EX1	23224EX1K
	215	76	2.1	23224AX	23224AXK	860000	962000	2,550	3,450	6	13	6	132.0	203.0	2.0	0.39	1.73	2.57	1.69	12.3	23224AX	23224AXK
	260	55	3	21324E	21324EK	790000	765000	1,950	2,400	5	12	6	134.0	246.0	2.5	0.21	3.17	4.72	3.10	15.3	21324E	21324EK
	260	86	3	22324EX	22324EXK	1250000	1130000	1,800	2,600	8	14	6	134.0	246.0	2.5	0.33	2.03	3.02	1.98	22.6	22324EX	22324EXK
260	86	3	22324AEX	22324AEXK	1180000	1040000	2,700	3,450	8	14	6	134.0	246.0	2.5	0.38	1.77	2.64	1.73	22.2	22324AEX	22324AEXK	
130	180	37	1.5	23926E	23926EK	284000	355000	2,700	3,450	4	8	4	138.5	171.5	1.5	0.18	3.66	5.46	3.58	2.87	23926E	23926EK
	200	52	2	23026E	23026EK	555000	660000	2,400	3,000	5	10	6	140.0	190.0	2.0	0.24	2.87	4.27	2.80	6.14	23026E	23026EK
	200	52	2	23026AX	23026AXK	560000	664000	3,150	4,050	5	10	6	140.0	190.0	2.0	0.27	2.50	3.72	2.44	6.10	23026AX	23026AXK
	200	69	2	24026EX1	24026EX1K30	710000	900000	2,400	3,150	6	11	6	140.0	190.0	2.0	0.32	2.14	3.18	2.09	7.93	24026EX1	24026EX1K30
	200	69	2	24026AX	24026AXK30	680000	803000	2,400	3,150	6	11	6	140.0	190.0	2.0	0.33	2.04	3.04	2.00	7.77	24026AX	24026AXK30
	210	64	2	23126EX1	23126EX1K	690000	799000	2,200	3,000	5	9	6	140.0	200.0	2.0	0.28	2.42	3.61	2.37	8.60	23126EX1	23126EX1K
	210	64	2	23126AX	23126AXK	705000	827000	2,500	3,300	5	9	6	140.0	200.0	2.0	0.30	2.25	3.34	2.20	8.90	23126AX	23126AXK
	210	80	2	24126EX1	24126EX1K30	840000	1030000	2,200	3,000	6	11	6	140.0	200.0	2.0	0.36	1.90	2.83	1.86	10.7	24126EX1	24126EX1K30
	210	80	2	24126AX	24126AXK30	815000	918000	2,200	3,000	6	11	6	140.0	200.0	2.0	0.37	1.83	2.72	1.79	10.5	24126AX	24126AXK30
	230	64	3	22226EX	22226EXK	910000	915000	2,200	2,600	5	10	6	144.0	216.0	2.5	0.26	2.55	3.80	2.50	11.6	22226EX	22226EXK
	230	64	3	22226AEX	22226AEXK	815000	765000	2,800	3,700	5	10	6	144.0	216.0	2.5	0.30	2.22	3.30	2.17	11.6	22226AEX	22226AEXK
	230	80	3	23226EX1	23226EX1K	980000	1090000	2,100	2,800	6	13	6	144.0	216.0	2.5	0.33	2.05	3.05	2.00	14.2	23226EX1	23226EX1K
	230	80	3	23226AX	23226AXK	965000	1070000	2,400	3,100	6	13	6	144.0	216.0	2.5	0.38	1.78	2.65	1.74	14.5	23226AX	23226AXK
	280	93	4	22326EX	22326EXK	1450000	1340000	1,700	2,500	8	16	6	148.0	262.0	3.0	0.33	2.03	3.02	1.98	28.4	22326EX	22326EXK
280	93	4	22326AEX	22326AEXK	1370000	1220000	2,500	3,300	8	16	6	148.0	262.0	3.0	0.38	1.77	2.64	1.73	27.3	22326AEX	22326AEXK	

Note: Suffix K or K30 means tapered bore (1/12 or 1/30).