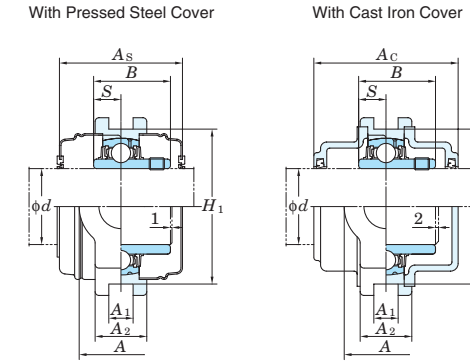
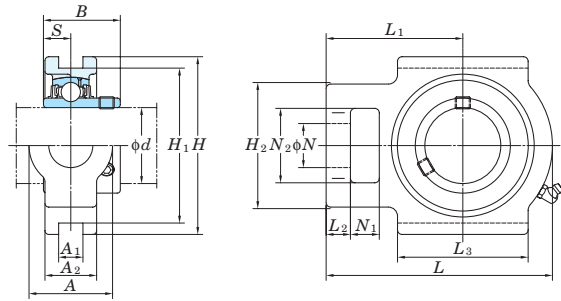


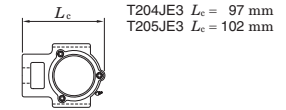
UCT
Cylindrical bore (with set screws)
d (45) ~ (75) mm



Variations of tolerance of groove width (ΔA_{1s}), variations of tolerance of distance between both grooves (ΔH_{1s}), and tolerance of symmetry of both groove sides (X)

Housing No.			ΔA_{1s}		ΔH_{1s}		X
T204-T210	TX05-TX10	T305-T310	+0.2	0	0	-0.5	0.5
T211-T217	TX11-TX17	T311-T318	+0.3	0	0	-0.8	0.6
		T319-T322					0.7
		T324-T328					0.8

Form and dimensions of L_c of T204JE3 and T205JE3 (housing with cast iron cover) are shown below.



Shaft Dia. mm inch <i>d</i>	Dimensions inch mm																Standard		Bearing No.	Mass kg	Basic Load Ratings kN			Factor f_0	With Pressed Steel Cover			With Cast Iron Cover				
	A	A ₁	A ₂	H	H ₁	H ₂	L	L ₁	L ₂	L ₃	N	N ₁	N ₂	B	S	Unit No.	Housing No.	C _r			C _{0r}	Open Type	One Side Closed Type		Dimension mm inch A _s	Mass kg	Open Type	One Side Closed Type	Dimension mm inch A _c	Mass kg		
45 1 3/4	2 5/32	45/64	1 1/2	5 7/16	4 59/64	3 17/32	7	4 11/32	23/32	3 19/16	1 11/32	15/16	2 5/32	2.244	0.866	UCT309-28	T309	48.9	29.5	13.3	-	-	-	-	-	-	-	-	-	-		
	55	18	38	138	125	90	178	110	18	97	34	24	55	57	22	UCT309		UC309-28	4.1	-	-	-	-	-	-	-	-	-	-	-		
50 1 7/8 1 15/16 2 1 15/16	1 15/16	5/8	1 15/32	4 19/32	4 1/64	3 9/32	5 7/8	3 17/32	5/8	3 3/8	1 5/32	3/4	1 15/16	2.031	0.748	UCT210-30	T210	35.1	23.3	14.4	-	-	-	-	-	-	-	-	-	-	-	-
	49	16	37	117	102	83	149	90	16	86	29	19	49	51.6	19	UCT210-31		UC210-30	2.6	-	-	-	-	-	-	-	-	-	-	-		
	64	22	42	146	130	102	171	106	19	95	35	25	64	55.6	22.2	UCT210	UC210-31	2.6	UCT210C	UCT210CD	73	2 7/8	2.6	UCT210FC	UCT210FCD	97	3 13/16	3.6				
	61	20	40	151	140	98	191	117	20	106	37	27	61	61	22	UCT210-32	UC210-32	2.6	-	-	-	-	-	-	-	-	-	-	-	-		
	64	22	42	146	130	102	171	106	19	95	35	25	64	55.6	22.2	UCTX10-31	UCX10-31	4.4	-	-	-	-	-	-	-	-	-	-	-	-		
	61	20	40	151	140	98	191	117	20	106	37	27	61	61	22	UCTX10	UCX10	4.4	UCTX10C	UCTX10CD	75	2 15/16	4.4	-	-	-	-	-	-			
55 2 3/16 2 1/4	2 17/32	55/64	1 21/32	5 3/4	5 1/8	4 1/32	6 23/32	4 3/16	3/4	3 3/4	1 3/8	31/32	2 17/32	2.189	0.874	UCT310	T310	62.0	38.3	13.2	-	-	-	-	-	-	-	-	-	-	-	-
	64	22	38	146	130	102	171	106	19	95	35	25	64	55.6	22.2	UCT211-32		UC211-32	4.0	-	-	-	-	-	-	-	-	-				
	64	22	38	146	130	102	171	106	19	95	35	25	64	55.6	22.2	UCT211-34	UC211-34	4.0	UCT211C	UCT211CD	75	2 15/16	4.0	UCT211FC	UCT211FCD	99	3 29/32	5.2				
	64	22	44	146	130	102	194	119	19	102	35	32	64	65.1	25.4	UCT211-35	UC211-35	4.0	-	-	-	-	-	-	-	-	-	-				
	64	22	44	146	130	102	194	119	19	102	35	32	64	65.1	25.4	UCTX11	UCX11	5.3	UCTX11C	UCTX11CD	88	3 15/32	5.3	-	-	-	-	-				
	66	22	44	163	150	105	207	127	21	115	39	29	66	66	25	UCTX11-35	UCX11-35	5.3	-	-	-	-	-	-	-	-	-	-				
60 2 3/8 2 7/16	2 19/32	55/64	1 23/32	6 13/32	5 29/32	4 1/8	8 5/32	5	13/16	4 17/32	1 17/32	1 5/32	2 19/32	2.598	0.984	UCT311-32	T311	71.6	45.0	13.2	-	-	-	-	-	-	-	-	-	-	-	
	66	22	44	163	150	105	207	127	21	115	39	29	66	66	25	UCT311		UC311-32	6.1	-	-	-	-	-	-	-	-	-				
	64	22	42	146	130	102	194	119	19	102	35	32	64	65.1	25.4	UCT311-35	UC311-35	6.1	UCT311C	UCT311CD	114	4 1/2	7.9	-	-	-	-	-				
	64	22	42	146	130	102	194	119	19	102	35	32	64	65.1	25.4	UCT212-36	UC212-36	4.9	-	-	-	-	-	-	-	-	-					
	64	22	42	146	130	102	194	119	19	102	35	32	64	65.1	25.4	UCT212	UC212	4.9	UCT212C	UCT212CD	88	3 15/32	4.9	UCT212FC	UCT212FCD	114	4 1/2	6.4				
	64	22	42	146	130	102	194	119	19	102	35	32	64	65.1	25.4	UCT212-38	UC212-38	4.9	-	-	-	-	-	-	-	-	-					
65 2 1/2	2 17/32	55/64	1 21/32	5 3/4	5 1/8	4 1/32	7 5/8	4 11/16	3/4	4 1/32	1 3/8	1 1/4	2 17/32	2.563	1.000	UCTX12	TX12	57.2	40.1	14.4	UCTX12C	UCTX12CD	88	3 15/32	7.4	-	-	-	-	-		
	70	26	48	167	151	111	224	137	21	121	41	32	70	65.1	25.4	UCTX12-39		UCX12-39	7.4	-	-	-	-	-	-	-						
	71	22	46	178	160	113	220	135	23	123	41	31	71	71	26	UCT312	UC312	7.6	UCT312C	UCT312CD	124	4 7/8	9.9	-	-	-	-					
	70	26	44	167	151	111	224	137	21	121	41	32	70	65.1	25.4	UCT312-39	UC312-39	7.6	-	-	-	-	-	-	-							
	70	26	44	167	151	111	224	137	21	121	41	32	70	65.1	25.4	UCT213-40	UC213-40	6.9	UCT213C	UCT213CD	88	3 15/32	6.9	UCT213FC	UCT213FCD	114	4 1/2	8.6				
	70	26	48	167	151	111	224	137	21	121	41	32	70	74.6	30.2	UCT213	UC213	6.9	-	-	-	-	-	-	-							
70 2 3/4	2 3/4	1 1/32	1 7/8	6 9/16	5 15/16	4 3/8	8 13/16	5 13/32	13/16	4 3/4	1 5/8	1 1/4	2 3/4	2.563	1.000	UCTX13-40	TX13	62.2	44.1	14.5	UCTX13C	UCTX13CD	98	3 27/32	7.6	-	-	-	-	-		
	70	26	48	167	151	111	224	137	21	121	41	32	70	74.6	30.2	UCTX13		UCX13-40	7.6	-	-	-	-	-	-	-						
	80	26	50	190	170	116	238	146	25	134	43	32	70	75	30	UCT313-40	UC313-40	9.3	-	-	-	-	-	-	-							
	70	26	46	167	151	111	224	137	21	121	41	32	70	74.6	30.2	UCT313	UC313	9.3	UCT313C	UCT313CD	122	4 13/16	11.4	-	-	-	-					
	70	26	46	167	151	111	224	137	21	121	41	32	70	74.6	30.2	UCT214-44	UC214-44	7.0	UCT214C	UCT214CD	98	3 27/32	7.0	UCT214FC	UCT214FCD	124	4 7/8	8.9				
	70	26	48	167	151	111	224	137	21	121	41	32	70	77.8	33.3	UCTX14-44	UCX14-44	7.9	UCTX14C	UCTX14CD	98	3 27/32	7.9	-	-	-	-					
75 2 15/16 3 2 15/16	3 17/32	1 1/32	2 1/16	7 15/16	7 3/32	5 1/8	9 29/32	6 3/32	31/32	5 1/2	1 13/16	1 13/32	3 11/32	3.071	1.299	UCT314-44	T314	104	68.2	13.2	-	-	-	-	-	-	-	-	-			
	90	26	52	202	180	130	252	155	25	140	46	36	85	78	33	UCT314		UC314	11.1	UCT314C	UCT314CD	124	4 7/8	13.4	-	-	-	-				
	70	26	48	167	151	111	232	140	21	121	41	32	70	77.8	33.3	UCT215-47	UC215-47	7.3	UCT215C	UCT215CD	98	3 27/32	7.3	UCT215FC	UCT215FCD	124	4 7/8	9.2				
75 3 3	2 3/4	1 1/32	1 7/8	6 9/16	5 15/16	4 3/8	9 1/8	5 1/2	13/16	4 3/4	1 5/8	1 1/4	2 3/4	3.063	1.331	UCTX15-47	TX15	72.7	53.0	14.6	UCTX15C	UCTX15CD	108	4 1/4	8.7	-	-	-	-	-		
	70	26	48	167	151	111	235	140	21	121	41	32	70	82.6	33.3	UCTX15		UCX15	8.7	-	-	-	-	-	-	-						
	70	28	48	184	165	111	235	140	21	121	41	32	70	82.6	33.3	UCTX15-48	UCX15-48	8.7	-	-	-	-	-	-	-	-						

Remarks 1. In Part No. of unit and units with covers, fitting codes follow bore diameter numbers. (See Table 10.5 in P.51.)

2. Part No. of applicable grease fittings are shown below.

B-1/4-28UNF 201-210, X05-X09, 305-308

B-R1/8 211-217, X10-X17, 309-328

3. As for the triple seal type product (from 201 to 205 are the double seal type products), accessory code L3 (L2) follows the Part No. of unit or bearing. (Example of Part No. : UCT206JL3, UC206L3)

4. As for the dimensions and forms of applicable bearings, see the dimensional tables of ball bearing for unit.

5. Housings of nodular graphite cast iron are also available.