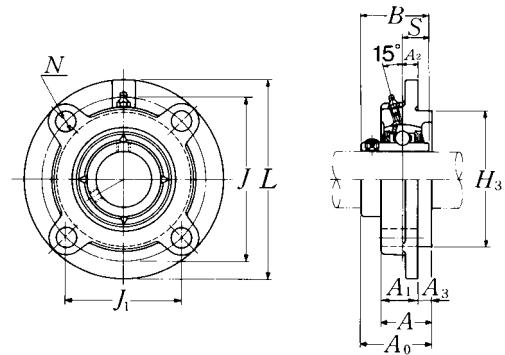


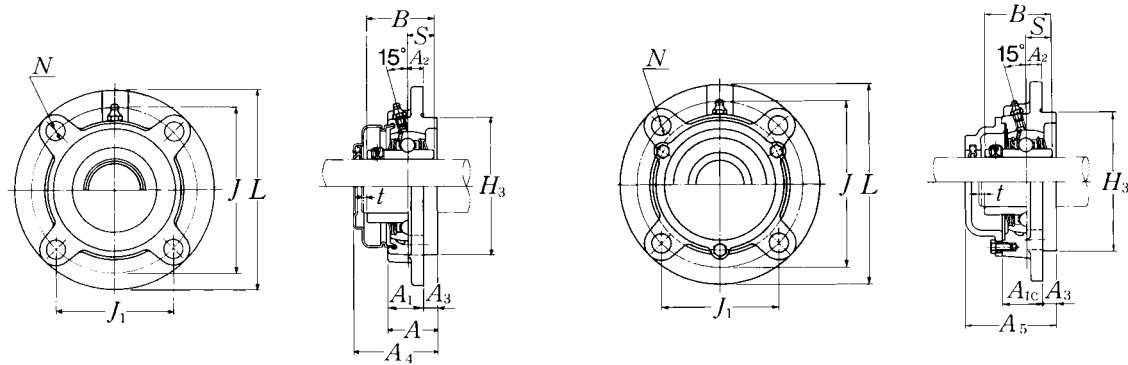
Round flanged units cast housing w/ spigot joint
Set screw type



Shaft dia.	Unit number ¹⁾	Nominal dimensions														Bolt size	
		mm		inch													mm
mm inch		L	J	(J ₁)	A ₂	N	A ₃	A ₁	A _{1c}	A	H ₃	A ₀	B	S	mm	inch	
50 1 ¹³ / ₁₆ 1 ⁷ / ₈ 1 ¹⁵ / ₁₆ 2	UCFC210D1 UCFC210-113D1 UCFC210-114D1 UCFC210-115D1 UCFC210-200D1	165	138	97.6	10	16	12	28	29	40	110	54.6	51.6	19	M14		
		6 ¹ / ₂	5 ⁷ / ₁₆	3 ²⁷ / ₃₂	2 ⁵ / ₆₄	5 ⁸ / ₈	1 ⁵ / ₃₂	1 ³ / ₃₂	1 ⁵ / ₃₂	1 ³⁷ / ₆₄	4.3307	2 ⁵ / ₃₂	2.0315	0.748	1/2		
55 2 2 ¹ / ₁₆ 2 ¹ / ₈ 2 ³ / ₁₆	UCFC211D1 UCFC211-200D1 UCFC211-201D1 UCFC211-202D1 UCFC211-203D1	185	150	106.1	13	19	12	31	32.5	43	125	58.4	55.6	22.2	M16		
		7 ⁹ / ₃₂	5 ²⁹ / ₃₂	4 ¹¹ / ₆₄	3 ³ / ₆₄	3 ⁴ / ₄	1 ⁵ / ₃₂	1 ⁷ / ₃₂	1 ⁹ / ₃₂	1 ¹¹ / ₁₆	4.9213	2 ¹⁹ / ₆₄	2.1890	0.874	5/8		
60 2 ¹ / ₄ 2 ⁵ / ₁₆ 2 ³ / ₈ 2 ⁷ / ₁₆	UCFC212D1 UCFC212-204D1 UCFC212-205D1 UCFC212-206D1 UCFC212-207D1	195	160	113.1	17	19	12	36	38	48	135	68.7	65.1	25.4	M16		
		7 ¹¹ / ₁₆	6 ¹⁹ / ₆₄	4 ²⁹ / ₆₄	4 ³ / ₆₄	3 ⁴ / ₄	1 ⁵ / ₃₂	1 ¹³ / ₃₂	1 ¹ / ₂	1 ⁵⁷ / ₆₄	5.3150	2 ⁴⁵ / ₆₄	2.5630	1.000	5/8		
65 2 ¹ / ₂ 2 ⁹ / ₁₆	UCFC213D1 UCFC213-208D1 UCFC213-209D1	205	170	120.2	16	19	14	36	38	50	145	69.7	65.1	25.4	M16		
		8 ¹ / ₁₆	6 ¹¹ / ₁₆	4 ⁴⁷ / ₆₄	5 ⁸ / ₈	3 ⁴ / ₄	3 ⁵ / ₆₄	1 ¹³ / ₃₂	1 ¹ / ₂	1 ³¹ / ₃₂	5.7087	2 ³ / ₄	2.5630	1.000	5/8		
70 2 ⁵ / ₈ 2 ¹¹ / ₁₆ 2 ³ / ₄	UCFC214D1 UCFC214-210D1 UCFC214-211D1 UCFC214-212D1	215	177	125.2	17	19	14	40	39.5	54	150	75.4	74.6	30.2	M16		
		8 ¹⁵ / ₃₂	6 ³¹ / ₃₂	4 ⁵⁹ / ₆₄	4 ³ / ₆₄	3 ⁴ / ₄	3 ⁵ / ₆₄	1 ³⁷ / ₆₄	1 ⁹ / ₁₆	2 ¹ / ₈	5.9055	2 ³¹ / ₃₂	2.9370	1.189	5/8		
75 2 ¹³ / ₁₆ 2 ⁷ / ₈ 2 ¹⁵ / ₁₆ 3	UCFC215D1 UCFC215-213D1 UCFC215-214D1 UCFC215-215D1 UCFC215-300D1	220	184	130.1	18	19	16	40	43	56	160	78.5	77.8	33.3	M16		
		8 ²¹ / ₃₂	7 ¹ / ₄	5 ¹ / ₈	4 ⁵ / ₆₄	3 ⁴ / ₄	5 ⁸ / ₈	1 ³⁷ / ₆₄	1 ¹¹ / ₁₆	2 ¹³ / ₆₄	6.2992	3 ³ / ₃₂	3.0630	1.311	5/8		
80 3 ¹ / ₁₆ 3 ¹ / ₈ 3 ³ / ₁₆	UCFC216D1 UCFC216-301D1 UCFC216-302D1 UCFC216-303D1	240	200	141.4	18	23	16	42	43	58	170	83.3	82.6	33.3	M20		
		9 ⁷ / ₁₆	7 ⁷ / ₈	5 ⁹ / ₁₆	4 ⁵ / ₆₄	2 ⁹ / ₃₂	5 ⁸ / ₈	1 ²¹ / ₃₂	1 ¹¹ / ₁₆	2 ⁹ / ₃₂	6.6929	2 ⁹ / ₃₂	3.2520	1.311	3/4		

Remarks: 1) These numbers indicate relubricatable type. If maintenance free type is needed, please order without suffix "D1".

Note: Please refer to page 36 for size of grease fitting.



Pressed steel dust cover type

Open end: **S-UCFC...D1**

Closed end: **SM-UCFC...D1**

Cast dust cover type

Open end: **C-UCFC...D1**

Closed end: **CM-UCFC...D1**

Bearing number	Housing number ¹⁾	Unit number pressed ¹⁾ steel dust cover type	Unit number ¹⁾ cast dust cover type	Nominal dimensions			Mass of unit		
				mm		inch	kg		lb
				t max.	A ₄	A ₅	UCFC	S(SM)	C(CM)
UC210D1	FC210D1	S(SM)-UCFC210D1	C(CM)-UCFC210D1	3	65.5	72	3.0	3.1	3.6
UC210-113D1	FC210D1	S(SM)-UCFC210-113D1	C(CM)-UCFC210-113D1						
UC210-114D1	FC210D1	S(SM)-UCFC210-114D1	C(CM)-UCFC210-114D1	1/8	2 ³⁷ / ₆₄	2 ⁵³ / ₆₄	6.6	6.8	7.9
UC210-115D1	FC210D1	S(SM)-UCFC210-115D1	C(CM)-UCFC210-115D1						
UC210-200D1	FC210D1	S(SM)-UCFC210-200D1	C(CM)-UCFC210-200D1						
UC211D1	FC211D1	S(SM)-UCFC211D1	C(CM)-UCFC211D1	4	71	75	4.1	4.2	4.8
UC211-200D1	FC211D1	S(SM)-UCFC211-200D1	C(CM)-UCFC211-200D1						
UC211-201D1	FC211D1	S(SM)-UCFC211-201D1	C(CM)-UCFC211-201D1	5/32	2 ⁵¹ / ₆₄	2 ⁶¹ / ₆₄	9.0	9.3	11
UC211-202D1	FC211D1	S(SM)-UCFC211-202D1	C(CM)-UCFC211-202D1						
UC211-203D1	FC211D1	S(SM)-UCFC211-203D1	C(CM)-UCFC211-203D1						
UC212D1	FC212D1	S(SM)-UCFC212D1	C(CM)-UCFC212D1	4	80	86	4.9	5.1	5.9
UC212-204D1	FC212D1	S(SM)-UCFC212-204D1	C(CM)-UCFC212-204D1						
UC212-205D1	FC212D1	S(SM)-UCFC212-205D1	C(CM)-UCFC212-205D1	5/32	3 ⁵ / ₃₂	3 ²⁵ / ₆₄	11	11	13
UC212-206D1	FC212D1	S(SM)-UCFC212-206D1	C(CM)-UCFC212-206D1						
UC212-207D1	FC212D1	S(SM)-UCFC212-207D1	C(CM)-UCFC212-207D1						
UC213D1	FC213D1	S(SM)-UCFC213D1	C(CM)-UCFC213D1	4	83.5	89.5	5.8	6.0	6.8
UC213-208D1	FC213D1	S(SM)-UCFC213-208D1	C(CM)-UCFC213-208D1	5/32	3 ⁹ / ₃₂	3 ¹⁷ / ₃₂	13	14	17
UC213-209D1	FC213D1	S(SM)-UCFC213-209D1	C(CM)-UCFC213-209D1						
UC214D1	FC214D1	—	C(CM)-UCFC214D1	4	—	98	7.0	—	8.0
UC214-210D1	FC214D1	—	C(CM)-UCFC214-210D1						
UC214-211D1	FC214D1	—	C(CM)-UCFC214-211D1	5/32	—	3 ⁵⁵ / ₆₄	15	—	18
UC214-212D1	FC214D1	—	C(CM)-UCFC214-212D1						
UC215D1	FC215D1	—	C(CM)-UCFC215D1	4	—	102	7.4	—	8.8
UC215-213D1	FC215D1	—	C(CM)-UCFC215-213D1						
UC215-214D1	FC215D1	—	C(CM)-UCFC215-214D1	5/32	—	4 ¹ / ₆₄	16	—	19
UC215-215D1	FC215D1	—	C(CM)-UCFC215-215D1						
UC215-300D1	FC215D1	—	C(CM)-UCFC215-300D1						
UC216D1	FC216D1	—	C(CM)-UCFC216D1	4	—	106	9.1	—	10
UC216-301D1	FC216D1	—	C(CM)-UCFC216-301D1						
UC216-302D1	FC216D1	—	C(CM)-UCFC216-302D1	5/32	—	4 ¹¹ / ₆₄	20	—	22
UC216-303D1	FC216D1	—	C(CM)-UCFC216-303D1						