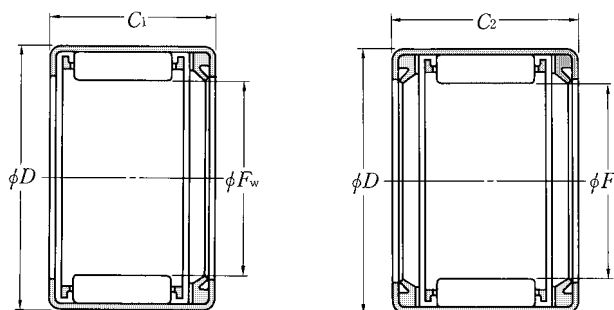


- Type HK··L
- Type HMK··L
- Type HK··LL
- Type HMK··LL
- Type BK··L

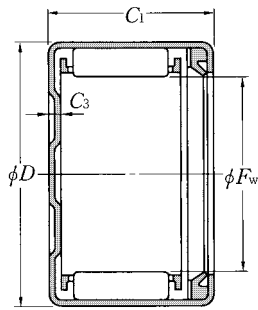


Type HK··L, Type HMK··L (Opened end and single-side seal type) **Type HK··LL, Type HMK··LL** (Opened end and double-side seal type)

F_w 25~50mm

| Boundary dimensions | | | | | Basic load ratings | | | | Limiting speeds r/min grease | Bearing numbers | | |
|---------------------|-----|--------------------------|--------------------------|--------------|-----------------------|-------------------------|-------------------------|---------------------------|------------------------------------|-------------------------|-------------------------|---------------------------|
| F_w | D | C_1 mm 0 -0.2 | C_2 mm 0 -0.2 | C_3 max | dynamic N C_r | static N C_{or} | dynamic kgf C_r | static kgf C_{or} | | open end single seal | open end double seal | closed end single seal |
| 25 | 33 | 18 | 21 | — | 15 800 | 21 000 | 1 610 | 2 140 | 6 500 | HMK2518L | HMK2521LL | — |
| | 33 | 23 | 26 | — | 21 800 | 31 500 | 2 220 | 3 200 | 6 500 | HMK2523L | HMK2526LL | — |
| 28 | 35 | — | 20 | — | 17 300 | 27 600 | 1 760 | 2 820 | 5 500 | — | HK 2820LL | — |
| | 37 | 23 | 26 | — | 23 600 | 32 500 | 2 410 | 3 350 | 5 500 | HMK2823L | HMK2826LL | — |
| 30 | 37 | — | 16 | — | 13 000 | 19 500 | 1 320 | 1 990 | 5 500 | — | HK 3016LL | — |
| | 37 | 18 | 20 | 2.7 | 18 100 | 30 000 | 1 850 | 3 050 | 5 500 | HK 3018L | HK 3020LL | BK3018L |
| | 40 | 23 | 26 | — | 24 200 | 34 500 | 2 470 | 3 500 | 5 500 | HMK3023L | HMK3026LL | — |
| | 40 | 28 | 31 | — | 31 000 | 47 000 | 3 150 | 4 800 | 5 500 | HMK3028L | HMK3031LL | — |
| 32 | 42 | 23 | 26 | — | 27 500 | 38 000 | 2 800 | 3 850 | 5 000 | HMK3223L | HMK3226LL | — |
| 35 | 42 | — | 16 | — | 14 000 | 22 800 | 1 430 | 2 320 | 4 600 | — | HK 3516LL | — |
| | 42 | 18 | 20 | 2.7 | 19 700 | 35 000 | 2 000 | 3 600 | 4 600 | HK 3518L | HK 3520LL | BK3518L |
| | 45 | 18 | 21 | — | 20 200 | 26 200 | 2 060 | 2 670 | 4 600 | HMK3518L | HMK3521LL | — |
| | 45 | 28 | 31 | — | 36 000 | 54 500 | 3 650 | 5 550 | 4 600 | HMK3528L | HMK3531LL | — |
| 38 | 48 | 28 | 31 | — | 38 500 | 61 000 | 3 900 | 6 250 | 4 200 | HMK3828L | HMK3831LL | — |
| 40 | 47 | — | 16 | — | 15 100 | 26 000 | 1 540 | 2 660 | 4 000 | — | HK 4016LL | — |
| | 47 | 18 | 20 | 2.7 | 21 100 | 40 000 | 2 150 | 4 100 | 4 000 | HK 4018L | HK 4020LL | BK4018L |
| | 50 | 18 | 21 | — | 23 100 | 32 500 | 2 350 | 3 300 | 4 000 | HMK4018L | HMK4021LL | — |
| | 50 | 28 | 31 | — | 41 000 | 67 500 | 4 150 | 6 900 | 4 000 | HMK4028L | HMK4031LL | — |
| 45 | 52 | 18 | 20 | 2.7 | 21 600 | 43 000 | 2 210 | 4 400 | 3 600 | HK 4518L | HK 4520LL | BK4518L |
| | 55 | 23 | 26 | — | 33 000 | 53 000 | 3 350 | 5 400 | 3 600 | HMK4523L | HMK4526LL | — |
| 50 | 58 | 22 | 24 | 2.7 | 31 500 | 63 000 | 3 200 | 6 450 | 3 200 | HK 5022L | HK 5024LL | BK5022L |
| | 62 | 28 | 31 | — | 48 000 | 82 500 | 4 900 | 8 450 | 3 200 | HMK5028L | HMK5031LL | — |

Note 1) Bearing with inner ring is represented by HK+IR. (Refer to "Inner Ring Dimensions Table" on page B-119 to B123.)
EX. HK5022L + IR45×50×25



Type BK·L
(Closed end and single-side seal type)

| | Mass kg (approx.) | | Appropriate ¹⁾ inner ring (as a reference) | |
|-------|-------------------------|-------------------------|---|--------------|
| | open end single seal | open end double seal | closed end single seal | single seal |
| 0.031 | 0.034 | — | IR20×25×20 | IR20×25×23 |
| 0.041 | 0.043 | — | IR20×25×26.5 | IR20×25×26.5 |
| — | 0.037 | — | — | IR22×28×23 |
| 0.051 | 0.054 | — | — | IR22×28×30 |
| — | 0.027 | — | — | IR25×30×18D |
| 0.037 | 0.039 | 0.045 | IR25×30×20 | IR25×30×23 |
| 0.061 | 0.064 | — | IR25×30×26 | IR25×30×26.5 |
| 0.076 | 0.078 | — | IR25×30×30 | IR25×30×32 |
| 0.065 | 0.069 | — | — | IR28×32×30 |
| — | 0.036 | — | — | — |
| 0.037 | 0.040 | 0.047 | — | — |
| 0.053 | 0.056 | — | — | — |
| 0.086 | 0.089 | — | — | — |
| 0.094 | 0.098 | — | IR32×38×32 | IR32×38×32 |
| — | 0.041 | — | — | IR35×40×17 |
| 0.047 | 0.050 | 0.062 | IR35×40×20 | — |
| 0.060 | 0.063 | — | IR35×40×20 | — |
| 0.097 | 0.100 | — | IR35×40×30 | IR32×40×36 |
| 0.054 | 0.057 | 0.072 | IR40×45×20 | — |
| 0.087 | 0.091 | — | IR40×45×26.5 | IR40×45×26.5 |
| 0.086 | 0.089 | 0.104 | IR45×50×25 | IR45×50×25.5 |
| 0.144 | 0.149 | — | IR45×50×32 | IR45×50×32 |