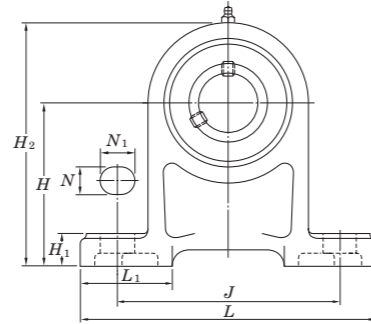
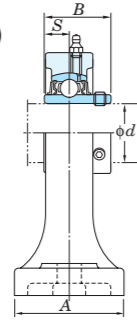


**UCPH**  
Cylindrical bore (with set screws)  
 $d$  12 ~ 50 mm



Variations of tolerance of distance from mounting bottom to center of spherical bore ( $\Delta H_2$ )

Housing No.	Unit: mm $\Delta H_2$
PH204-PH210	$\pm 0.15$

Shaft Dia. mm inch $d$	Dimensions inch mm											Bolt Size inch mm	Unit No.	Housing No.	Bearing No.	Basic Load Ratings kN		Factor $f_0$	Mass kg		
	$H$	$L$	$A$	$J$	$N$	$N_1$	$H_1$	$H_2$	$L_1$	$B$	$S$					$C_r$	$C_{0r}$				
12 1/2														UCPH201 UCPH201-8 UCPH202 UCPH202-10 UCPH203 UCPH204-12 UCPH204	PH204	UC201 UC201-8 UC202 UC202-10 UC203 UC204-12 UC204	12.8	6.65	13.2	0.96 0.94 0.93 0.91	
15 5/8	2 3/4	5	1 9/16	3 3/4	1/2	3/4	19/32	3 21/32	1 13/16	1.220	0.500		3/8 M10	UCPH205-14 UCPH205-15 UCPH205 UCPH205-16	PH205	UC205-14 UC205-15 UC205 UC205-16	14.0	7.85	13.9	1.2	
17 3/4	70	127	40	95	13	19	15	101	46	31	12.7										
20														UCPH206-18 UCPH206 UCPH206-19 UCPH206-20	PH206	UC206-18 UC206 UC206-19 UC206-20	19.5	11.3	13.9	1.6	
25 7/8 15/16	3 5/32	5 1/2	1 31/32	4 1/8	1/2	3/4	5/8	3 1/2	1 15/16	1.343	0.563		3/8 M10	UCPH207-20 UCPH207-21 UCPH207-22 UCPH207 UCPH207-23	PH207	UC207-20 UC207-21 UC207-22 UC207 UC207-23	25.7	15.4	13.9	2.0	
30 1 1/8 1 3/16 1 1/4	3 35/64	6 1/2	1 31/32	4 3/4	21/32	13/16	23/32	5 1/8	1 7/32	1.500	0.626		1/2 M14	UCPH208-24 UCPH208-25 UCPH208	PH208	UC208-24 UC208-25 UC208	29.1	17.8	14.0	2.7	
35 1 1/4 1 5/16 1 3/8 1 7/16	3 47/64	6 9/16	2 3/8	5	21/32	13/16	23/32	5 1/2	1 1/8	1.689	0.689		1/2 M14	UCPH209-26 UCPH209-27 UCPH209-28 UCPH209	PH209	UC209-26 UC209-27 UC209-28 UC209	34.1	21.3	14.0	3.0	
40 1 1/2 1 9/16	3 15/16	7 1/4	2 3/4	5 13/32	21/32	13/16	25/32	5 29/32	2 1/4	1.937	0.748		1/2 M14	UCPH210-30 UCPH210-31 UCPH210 UCPH210-32	PH210	UC210-30 UC210-31 UC210 UC210-32	35.1	23.3	14.4	3.5	
45 1 5/8 1 11/16 1 3/4	4 9/64	7 15/32	2 3/4	5 3/4	21/32	13/16	25/32	6 7/32	2 9/32	1.937	0.748		1/2 M14								
50 1 7/8 1 15/16 2	4 21/64	8 1/8	2 3/4	6 1/4	25/32	7/8	7/8	6 1/2	2 9/16	2.031	0.748		5/8 M16								

Remarks 1. In Part No. of unit, fitting codes follow bore diameter codes. (See Table 10.5 in P.51.)

2. Part No. of the applicable grease fitting is A-1/4-28UNF.

3. As for the triple seal type product (from 201 to 205 are the double seal type products), accessory code L3 (or L2) follows Part No. of unit or bearing. (Example of Part No. : UCPH206JL3, UC206L3)

4. As for the dimensions and forms of applicable bearings, see the dimensional tables of ball bearing for unit.

5. Tapered bore (with adapter) type products are also available. (Example of Part No. : UKPH205J + H305X, UK205 + H305X)