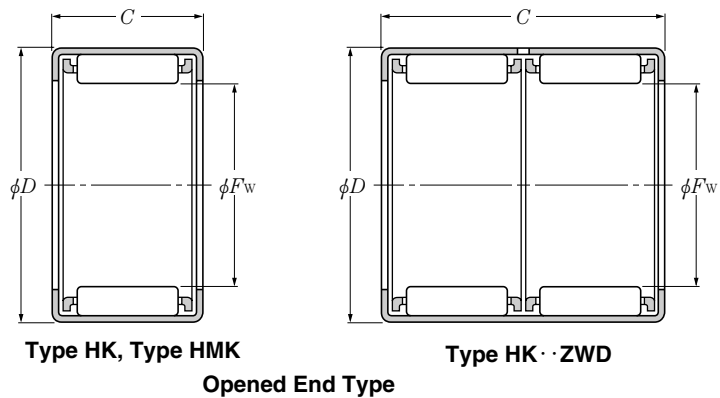


Type HK, Type HK · · ZWD
 Type HMK
 Type BK, Type BK · · ZWD



F_w 16~20mm

Boundary dimensions				Basic load ratings				Limiting speeds		Bearing numbers		Mass	Appropriate ¹⁾ inner ring
F_w	mm			dynamic	static	dynamic	static	grease	oil	open end design	closed end design	kg (approx.)	(as a reference)
	D	C 0 -0.2	C_1 max	N	N	kgf	kgf						
				C_r	C_{or}	C_r	C_{or}						
16	22	12	2.7	7 750	9 700	795	990	10 000	15 000	—	BK1612	0.014	IR12×16×13
	22	16	—	11 100	15 300	1 130	1 560	10 000	15 000	HK1616	—	0.016	IR12×16×20
	22	16	2.7	11 100	15 300	1 130	1 560	10 000	15 000	—	BK1616	0.018	IR12×16×20
	22	22	—	13 300	19 400	1 360	1 980	10 000	15 000	HK1622ZWD	—	0.022	—
	22	22	2.7	13 300	19 400	1 360	1 980	10 000	15 000	—	BK1622ZWD	0.023	—
	24	16	—	12 400	13 500	1 260	1 370	10 000	15 000	HMK1616	—	0.021	IR12×16×20
	24	20	—	15 600	18 200	1 590	1 860	10 000	15 000	HMK1620	—	0.027	IR12×16×22
17	23	12	—	8 500	11 100	865	1 130	9 500	14 000	HK1712	—	0.012	—
	23	12	2.7	8 500	11 100	865	1 130	9 500	14 000	—	BK1712	0.015	—
	24	15	—	12 100	15 000	1 230	1 530	9 500	14 000	HMK1715	—	0.018	IR14×17×17
	24	20	—	15 200	20 000	1 540	2 040	9 500	14 000	HMK1720C	—	0.024	IR12×17×20.5
	24	25	—	19 300	27 400	1 970	2 790	9 500	14 000	HMK1725B	—	0.030	IR12×17×25.5
18	24	12	—	8 300	10 900	845	1 110	8 500	13 000	HK1812	—	0.013	IR15×18×12.5
	24	12	2.7	8 300	10 900	845	1 110	8 500	13 000	—	BK1812	0.015	IR15×18×12.5
	24	16	—	11 800	17 300	1 210	1 760	8 500	13 000	HK1816	—	0.018	IR15×18×16.5
	24	16	2.7	11 800	17 300	1 210	1 760	8 500	13 000	—	BK1816	0.020	IR15×18×16.5
	25	13	—	10 200	12 200	1 040	1 240	8 500	13 000	HMK1813	—	0.016	IR15×18×16
	25	15	—	12 000	15 100	1 220	1 540	8 500	13 000	HMK1815	—	0.019	IR15×18×16
	25	17	—	13 800	18 000	1 400	1 830	8 500	13 000	HMK1817	—	0.021	IR15×18×17.5
	25	19	—	15 500	20 900	1 580	2 130	8 500	13 000	HMK1819	—	0.024	IR15×18×20.5
	25	20	—	16 300	22 300	1 660	2 280	8 500	13 000	HMK1820	—	0.025	IR15×18×20.5
	25	25	—	20 300	29 600	2 070	3 000	8 500	13 000	HMK1825	—	0.031	IR15×18×25.5
19	27	16	—	13 900	16 300	1 410	1 660	8 500	13 000	HMK1916	—	0.025	IR15×19×20
	27	20	—	17 500	22 100	1 790	2 250	8 500	13 000	HMK1920	—	0.031	—
20	26	12	—	9 250	13 000	945	1 330	8 000	12 000	HK2012C	—	0.014	IR15×20×13
	26	12	2.7	9 250	13 000	945	1 330	8 000	12 000	—	BK2012	0.017	IR15×20×13
	26	16	—	13 000	20 100	1 320	2 050	8 000	12 000	HK2016	—	0.019	IR17×20×16.5
	26	16	2.7	13 000	20 100	1 320	2 050	8 000	12 000	—	BK2016	0.022	IR17×20×16.5
	26	20	—	16 400	27 100	1 670	2 760	8 000	12 000	HK2020C	—	0.024	IR17×20×20.5
	26	20	2.7	16 400	27 100	1 670	2 760	8 000	12 000	—	BK2020C	0.027	IR17×20×20.5

Note 1) Bearing with inner ring is represented by HK+IR. (Refer to "Inner Ring Dimensions Table" on page B-118, B119.)
 EX. HK1812 + IR15×18×12.5