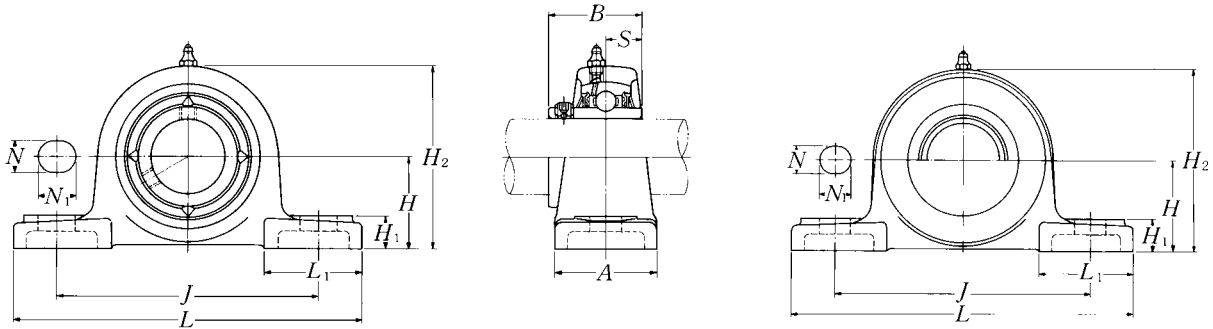


Pillow blocks cast housing
Set screw type



Pressed steel dust cover type

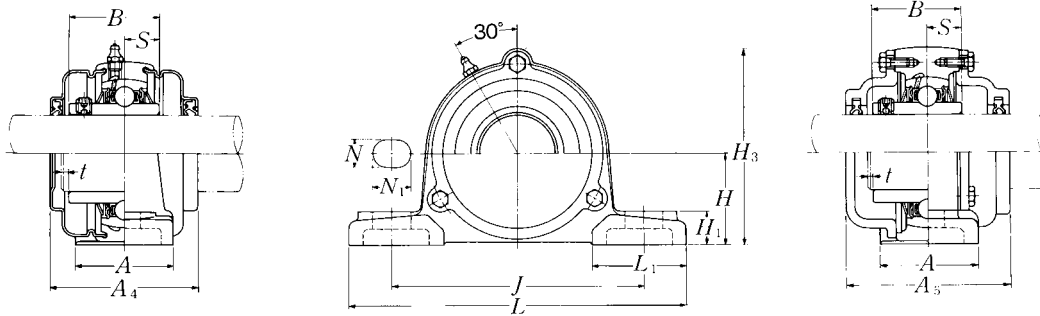
Open end: **S-UCP...D1**

Closed end: **SM-UCP...D1**

Shaft dia.	Unit number ¹⁾	Nominal dimensions											Bolt size	Bearing number
		mm					inch							
		H	L	J	A	N	N ₁	H ₁	H ₂	L ₁	B	S		
50	UCP210D1	57.2	206	159	60	20	23	21	114	65	51.6	19	M16	UC210D1
$1\frac{13}{16}$	UCP210-113D1													UC210-113D1
$1\frac{7}{8}$	UCP210-114D1													UC210-114D1
$1\frac{15}{16}$	UCP210-115D1													UC210-115D1
2	UCP210-200D1													UC210-200D1
55	UCP211D1	63.5	219	171	60	20	23	23	126	65	55.6	22.2	M16	UC211D1
2	UCP211-200D1													UC211-200D1
$2\frac{1}{16}$	UCP211-201D1													UC211-201D1
$2\frac{1}{8}$	UCP211-202D1													UC211-202D1
$2\frac{3}{16}$	UCP211-203D1													UC211-203D1
60	UCP212D1	69.8	241	184	70	20	23	25	138	70	65.1	25.4	M16	UC212D1
$2\frac{1}{4}$	UCP212-204D1													UC212-204D1
$2\frac{5}{16}$	UCP212-205D1													UC212-205D1
$2\frac{3}{8}$	UCP212-206D1													UC212-206D1
$2\frac{7}{16}$	UCP212-207D1													UC212-207D1
65	UCP213D1	76.2	265	203	70	25	28	27	151	77	65.1	25.4	M20	UC213D1
$2\frac{1}{2}$	UCP213-208D1													UC213-208D1
$2\frac{9}{16}$	UCP213-209D1													UC213-209D1
70	UCP214D1	79.4	266	210	72	25	28	27	157	77	74.6	30.2	M20	UC214D1
$2\frac{5}{8}$	UCP214-210D1													UC214-210D1
$2\frac{11}{16}$	UCP214-211D1													UC214-211D1
$2\frac{3}{4}$	UCP214-212D1													UC214-212D1
75	UCP215D1	82.6	275	217	74	25	28	28	163	80	77.8	33.3	M20	UC215D1
$2\frac{13}{16}$	UCP215-213D1													UC215-213D1
$2\frac{7}{8}$	UCP215-214D1													UC215-214D1
$2\frac{15}{16}$	UCP215-215D1													UC215-215D1
3	UCP215-300D1													UC215-300D1
80	UCP216D1	88.9	292	232	78	25	28	30	175	85	82.6	33.3	M20	UC216D1
$3\frac{1}{16}$	UCP216-301D1													UC216-301D1
$3\frac{1}{8}$	UCP216-302D1													UC216-302D1
$3\frac{3}{16}$	UCP216-303D1													UC216-303D1

Remarks: 1) These numbers indicate relubricatable type. If maintenance free type is needed, please order without suffix "D1".

Note: Please refer to page 36 for size of grease fitting.

**Cast dust cover type**Open end: **C-UCP...D1**Closed end: **CM-UCP...D1**

Housing number ¹⁾	Unit number ¹⁾ pressed steel dust cover type	Unit number ¹⁾ cast dust cover type	Nominal dimensions				Mass of unit		
			t max.	mm	inch	A ₅	kg		lb
				A ₄	H ₃		UCP	S(SM)	
P210D1	S(SM)-UCP210D1	C(CM)-UCP210D1	3	87	119	100	2.7	2.8	3.6
P210D1	S(SM)-UCP210-113D1	C(CM)-UCP210-113D1	1/8	3 7/16	4 1/16	3 15/16	6.0	6.2	7.9
P210D1	S(SM)-UCP210-114D1	C(CM)-UCP210-114D1							
P210D1	S(SM)-UCP210-115D1	C(CM)-UCP210-115D1							
P210D1	S(SM)-UCP210-200D1	C(CM)-UCP210-200D1							
P211D1	S(SM)-UCP211D1	C(CM)-UCP211D1	4	92	130	100	3.5	3.5	4.4
P211D1	S(SM)-UCP211-200D1	C(CM)-UCP211-200D1	5/32	3 5/8	5 1/8	3 15/16	7.7	7.7	9.7
P211D1	S(SM)-UCP211-201D1	C(CM)-UCP211-201D1							
P211D1	S(SM)-UCP211-202D1	C(CM)-UCP211-202D1							
P211D1	S(SM)-UCP211-203D1	C(CM)-UCP211-203D1							
P212D1	S(SM)-UCP212D1	C(CM)-UCP212D1	4	102	143	115	4.7	5.0	6.0
P212D1	S(SM)-UCP212-204D1	C(CM)-UCP212-204D1	5/32	4 1/32	5 5/8	4 17/32	10	11	13
P212D1	S(SM)-UCP212-205D1	C(CM)-UCP212-205D1							
P212D1	S(SM)-UCP212-206D1	C(CM)-UCP212-206D1							
P212D1	S(SM)-UCP212-207D1	C(CM)-UCP212-207D1							
P213D1	S(SM)-UCP213D1	C(CM)-UCP213D1	4	107	155	120	5.6	5.8	7.2
P213D1	S(SM)-UCP213-208D1	C(CM)-UCP213-208D1	5/32	4 7/32	6 3/32	4 23/32	12	13	16
P213D1	S(SM)-UCP213-209D1	C(CM)-UCP213-209D1							
P214D1	—	C(CM)-UCP214D1	4	—	162	135	6.5	—	8.3
P214D1	—	C(CM)-UCP214-210D1	5/32	—	6 3/8	5 5/16	14	—	18
P214D1	—	C(CM)-UCP214-211D1							
P214D1	—	C(CM)-UCP214-212D1							
P215D1	—	C(CM)-UCP215D1	4	—	168	135	7.2	—	9.3
P215D1	—	C(CM)-UCP215-213D1	5/32	—	6 5/8	5 5/16	16	—	21
P215D1	—	C(CM)-UCP215-214D1							
P215D1	—	C(CM)-UCP215-215D1							
P215D1	—	C(CM)-UCP215-300D1							
P216D1	—	C(CM)-UCP216D1	4	—	181	145	8.7	—	11
P216D1	—	C(CM)-UCP216-301D1	5/32	—	7 1/8	5 23/32	19	—	24
P216D1	—	C(CM)-UCP216-302D1							
P216D1	—	C(CM)-UCP216-303D1							